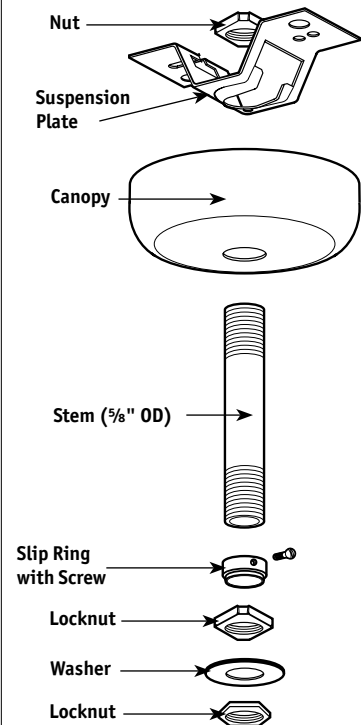


HANGER OPTIONS

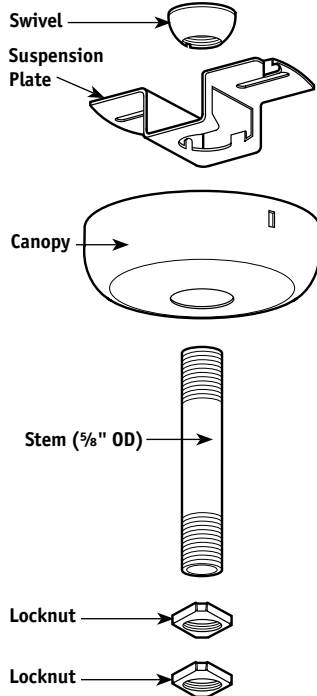
TECHNICAL

PENDANT OPTIONS

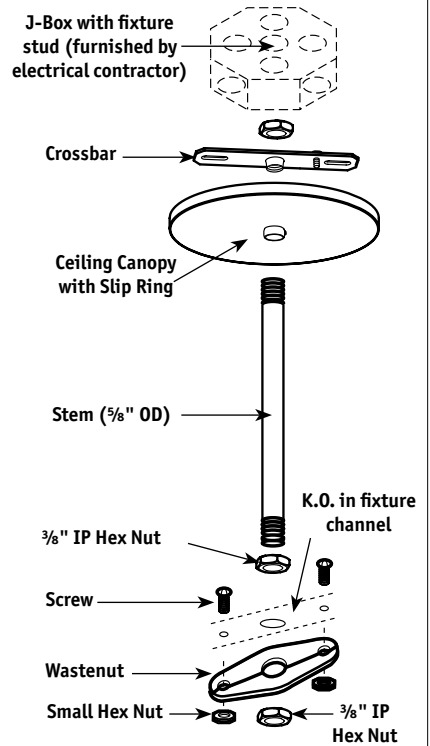
S18 - STEM, NON-SWIVEL



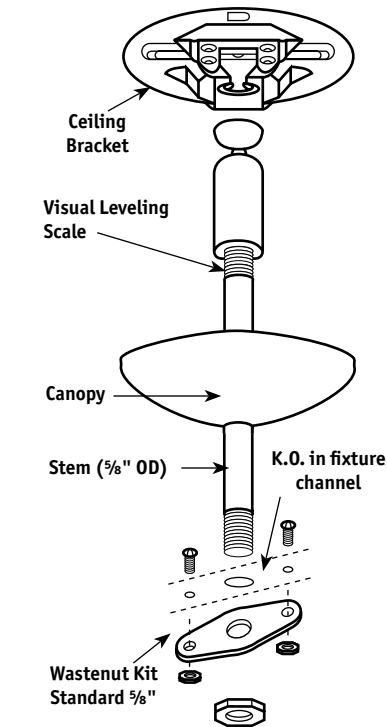
**SS18 - STEM, SWIVEL
45° SWIVEL FROM VERTICAL**



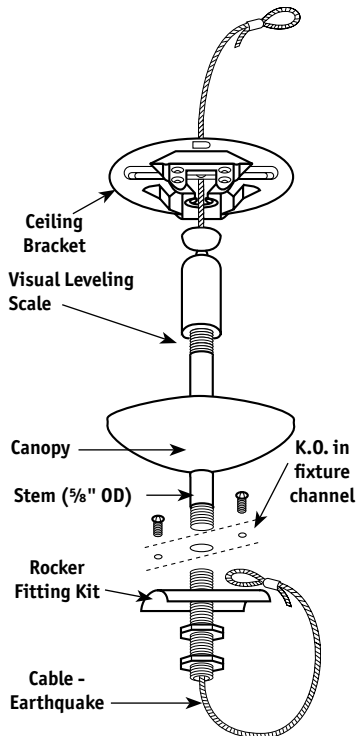
PM - FEED STEM W/J-BOX, NON-SWIVEL



**PMS - SLOPED CEILING STEM
45° SWIVEL FROM VERTICAL**



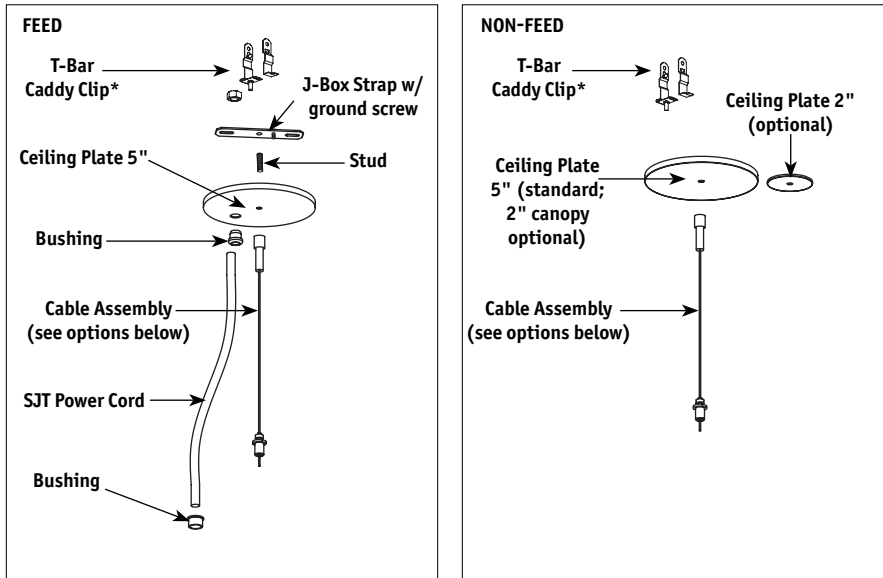
**PMR - EARTHQUAKE STEM W/CABLE
45° SWIVEL FROM VERTICAL**



PENDANT OPTIONS ARE NOT AVAILABLE FOR LP7, LCV, AND LCVR-L FIXTURE TYPES. CONTACT FACTORY FOR DETAILS ON FLUORESCENT FIXTURE AVAILABILITY.

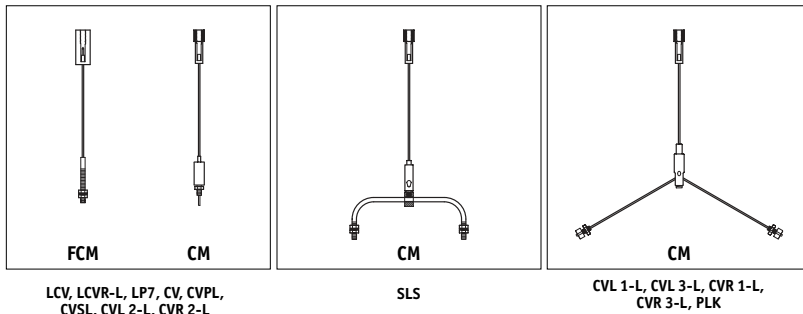
HANGER OPTIONS

CABLE OPTIONS



*Add TBAR in the suffix of the catalog number if required.

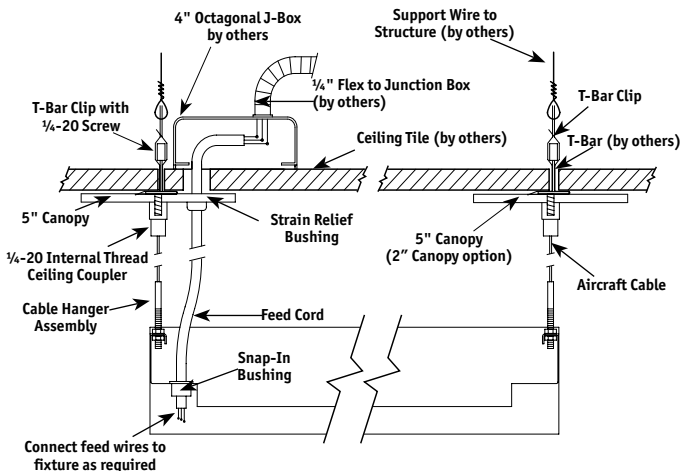
CABLE ASSEMBLY OPTIONS



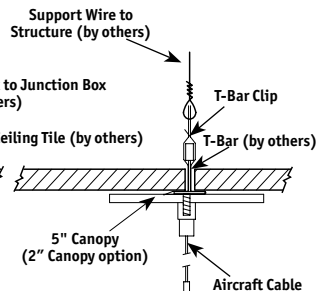
T-BAR MOUNTING OPTION

Alera cable hangers can be installed directly to the T-Bar grid. The IDS clip and additional length of SJT cord will be supplied when the suffix "TBAR" is added to the catalog number.

Feed End



Non-Feed End



JUNCTION BOX ACCESSORY FOR DROP CEILING INSTALLATION

#93016675- ordered separately

- 2 1/8" deep octagonal box to mount over T-Bar
- Complies with Article 400.8 NEC with issues concerning cords thru drop ceilings
- Independent support tab provided on back of box for independent support for both junction box and attached lighting fixture.
- Ground screw hole location and 1/2" knockouts located for easier access after mounting.
- Knockouts provided for regular type ceiling tiles to keep junction box flush with ceiling tile edge.

