

# LRK-2V

## LRK Tower LED Retrofit Kit

RETROFIT

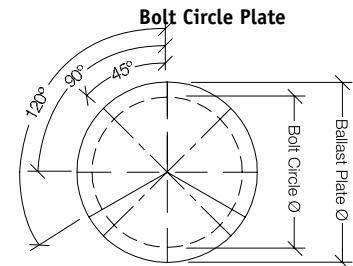
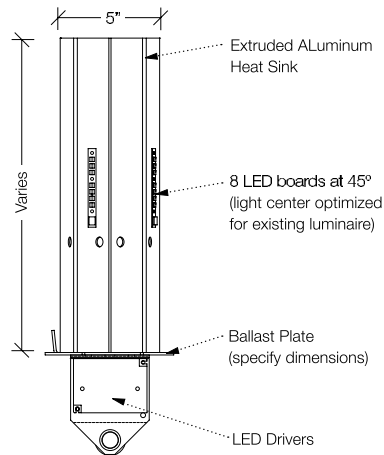
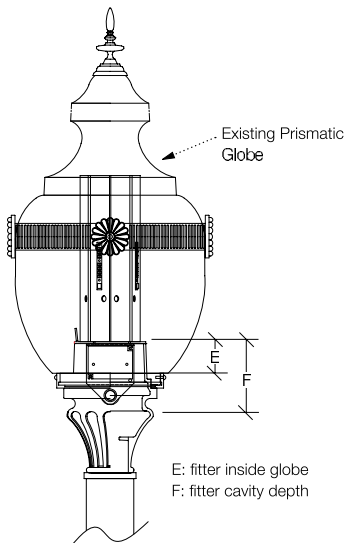


### FEATURES

- Designed to accommodate textured, tinted, or frosted acorn style luminaires.

### ORDERING INFORMATION

|   |  |                                |   |  |                               |  |                            |                            |                          |   |
|---|--|--------------------------------|---|--|-------------------------------|--|----------------------------|----------------------------|--------------------------|---|
| <b>LRK2V</b>                                      |  |                                |   |  |                               |  |                            |                            |                          |   |
| <b>MODEL</b><br>LRK-2V LRK Tower LED Retrofit Kit | <b>LED COLOR</b><br>3K 3000K<br>4K 4000K<br>5K 5000K | <b>VOLTAGE</b><br>UNV 120-277V | <b>ENGINE-WATTS</b><br>32W 32 Watts<br>65W 65 Watts | <b>NUMBER OF BOLTS</b><br>2 Two Bolts<br>3 Three Bolts<br>4 Four Bolts | <b>MOUNTING PLATE SPECIFY</b> | <b>BOLT PATTERN</b><br>45 45° Bolt Pattern<br>90 90° Bolt Pattern<br>120 120° Bolt Pattern<br>180 180° Bolt Pattern<br>OTHER | <b>BOLT LENGTH SPECIFY</b> | <b>BOLT CIRCLE SPECIFY</b> | <b>BOLT SIZE SPECIFY</b> | <b>CONTROL OPTIONS</b><br>GENI-XX Energeni <sup>2</sup> |



the mounting plate facilitates a simplified conversion process of many of the existing globe style luminaires.

Visit [www.beaconproducts.com](http://www.beaconproducts.com) for up-to-date availability information