

# LRK-3D

## LRK Direct LED Retrofit Kit

### FEATURES

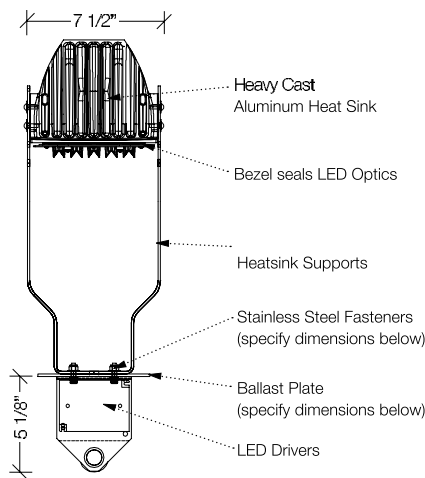
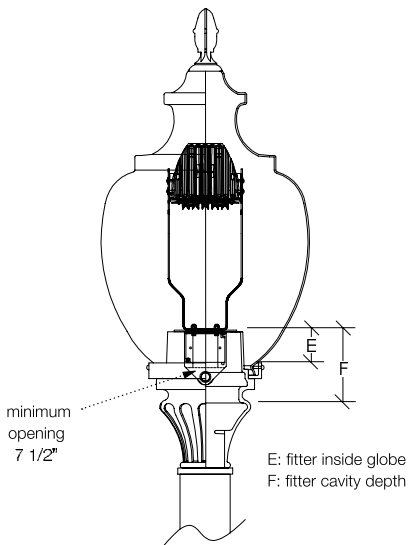
- Performance LED optical system
- IES Distribution Types
- Integral surge protection



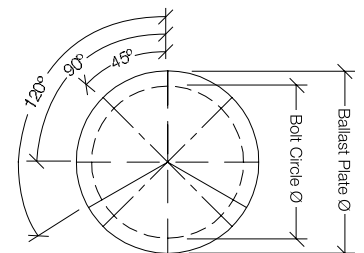
RETROFIT

### ORDERING INFORMATION

<b>LRK3D</b>												
<b>MODEL</b>	<b>LED COLOR</b>	<b>VOLTAGE</b>	<b>NUMBER OF BOLTS</b>	<b>MOUNTING PLATE</b>	<b>CONTROL OPTIONS</b>	<b>ENGINE-WATTS</b>	<b>OPTICS</b>	<b>BOLT PATTERN</b>	<b>BOLT SIZE</b>	<b>BOLT CIRCLE</b>	<b>BOLT LENGTH</b>	
<b>LRK-3D</b> Direct LED Retrofit Kit	3K 3000K 4K 4000K 5K 5000K	UNV 120-277V 347 347V 480 480V	2 Two Bolts 3 Three Bolts 4 Four Bolts	<b>SPECIFY</b>	GENI-XX Energeni <sup>2</sup>	24NB-27 27 Watts 24NB-55 55 Watts	T2 Type II T3 Type III T4 Type IV T5R Type V, Rectangular TSW Type V, Round Wide	45 45° Bolt Pattern 90 90° Bolt Pattern 120 120° Bolt Pattern 180 180° Bolt Pattern <b>OTHER</b>	<b>SPECIFY</b>	<b>SPECIFY</b>	<b>SPECIFY</b>	



### Bolt Circle Plate



the mounting plate facilitates a simplified conversion process of many of the existing globe style luminaires.

Visit [www.beaconproducts.com](http://www.beaconproducts.com) for up-to-date availability information

