

MATRIX® Area/Site

FEATURES

- High output LED luminaire intended for high light level applications traditionally served by 1000W HID and larger site luminaires.
- Multiple mounting options, including Post Top, Mast Arm Slip Fitter, Pole Mount Arm, tilt-able knuckle
- Control options include programmable occupancy sensing, profile dimming, and wireless control
- Listed to UL1598 and CSA22.2 No. 250.0 for wet locations



Upswept Arm

Knuckle

Mast Top

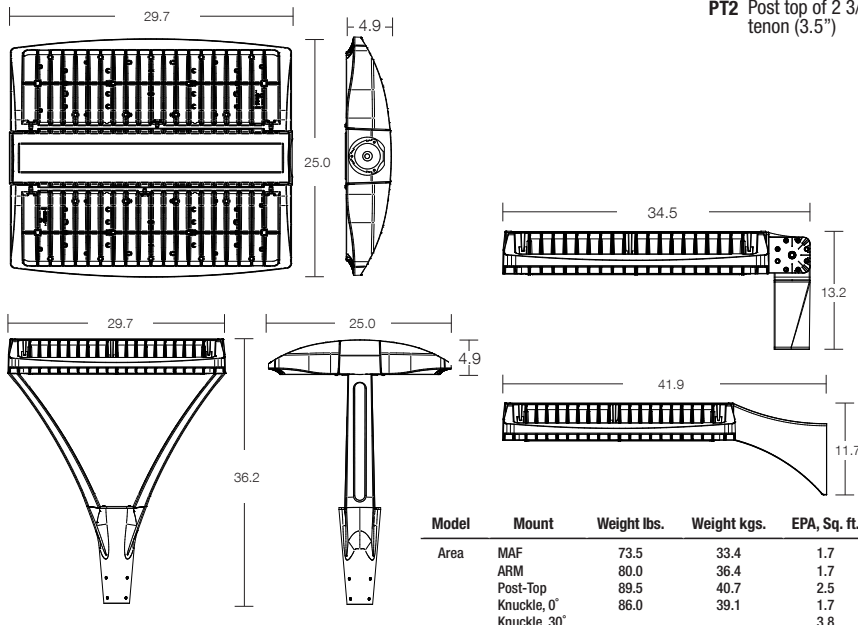
SITE/ROADWAY

ORDERING INFORMATION

MA/A															
SERIES	ENGINE	CCT/CRI ¹	ROTATION	COLOR	CONTROL OPTIONS	OPTIONS									
MA/A Matrix	80L-260	260W, 33,000 lm	5K7	5000K, 70 CRI	DB Dark Bronze Textured BL Black Textured WH White Textured PS Plat. Silver Smooth GYS Light Gray Smooth GT Graphite Textured TT Titanium Textured CC Custom Color	7PR¹¹ 7-PIN Receptacle only 7PR-TL⁷ 7 pin PCR w/ Twist Lock photo control 7PR-SC 7 pin PCR w/ shorting cap 2PF 2 power feed with 2 drivers GENI^{2,3} Energeni SCL/40F Low voltage sensor for 7PR-SC and wiSCAPE external control accessory SCP/40F^{2,4,5} Programmable Line Voltage sensor SWP^{2,6} SiteSync Pre-Commission SWPM/40F^{2,6} SiteSync Pre-Commission w/Sensor	BC Backlight Control SF120 120V Fuse SF277 277V Fuse SF347 347V Fuse DF208 208V Fuse DF240 240V Fuse DF480 480V Fuse TB⁹ Terminal Block BS Bird Spikes								
	96L-315	315W, 40,000 lm	4K7	4000K, 70 CRI				Leave blank for no rotation L¹ Optic rotation left R¹ Optic rotation right							
	64L-325	325W, 37,000 lm	3K7	3000K, 70 CRI											
	64L-370	370W, 40,000 lm						DISTRIBUTION							
	80L-405	405W, 45,000 lm						FR Type 1/Front Row							
	80L-465	465W, 50,000 lm						2 Type 2							
	96L-490	490W, 55,000 lm						3 Type 3							
	96L-555	555W, 60,000 lm						4 Type 4							
				5R Type 5 Rectangular											
				5QM Type 5 Square Med											
				5QW Type 5R Square Wide											
				VOLTAGE											
				UNV 120-277V											
				347 347V											
				480 480V											
				K ⁸ Knuckle (5° adjustable fitter)											
				PT2 Post top of 2 3/8" tenon (3.5")											

¹ Not available with 50M or 50W distribution.
² Not available with other sensor or wireless control options.
³ Specify routine setting code (example GENI-04). See ENERGENI brochure and instructions for setting table options.
⁴ Photocell included with sensor, additional photocell not recommended.
⁵ Order at least one SCPREMOTE per project location to program and control.
⁶ Specify group and zone at time of order. See www.hubbell-automation.com/products/sitesync/ for more details. Order at least one SiteSync interface Accessory SWUSB or SWTAB.
⁷ Each option contains SiteSync License, GUI, and Bridge Node.
⁸ 7PR-TL shipped with shorting cap installed. Twist-lock photocell shipped with fixture. Installer must remove shorting cap and install photocell at time of installation.
⁹ Limited to applications requiring 30° tilt or less. If higher angle tilt is required use flood version with glass cover.
¹⁰ Not available on K or PT2 mountings.
¹¹ Requires 7PR-SC photocell receptacle. Include SCL/40F if occupancy sensing is required.
¹² Shorting cap, photocell, or wireless control provided by others.

DIMENSIONS



Accessories and Services (Ordered Separately)

Control Accessories	
SWUSB*	SiteSync interface software loaded on USB flash drive for use with owner supplied PC (Windows based only). Includes SiteSync license, software and USB radio bridge node.
SWTAB*	Windows tablet and SiteSync interface software. Includes tablet with preloaded software, SiteSync license and USB radio bridge node.
SWBRG*	SiteSync USB radio bridge node only. Order if a replacement is required or if an extra bridge node is requested.
SCPREMOTE	Order at least one per project location to program and control
WIR-RME-L ¹⁰	wiSCAPE external control node

*When ordering SiteSync at least one of these two interface options must be ordered per project.

Accessories	
MAA-BC	Backlight Control accessory kit

