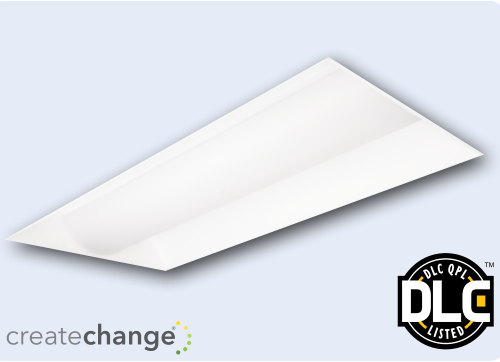


# LTRE

## Transition® Enclosed LED High Efficiency Architectural Lensed

RECESSED ARCHITECTURAL



createchange

### FEATURES

- Enclosed high efficiency lens features linear prism acrylic for high performance without pixelation
- Appropriate for schools, medical, dining areas, locker rooms, and public spaces
- Enclosed lens resists intrusion of contaminants
- High performance matte white paint standard
- Optional Antimicrobial® paint (AM option) resists bacterial growth on exposed painted surfaces
- Optional lens gasket surrounds lamp cavity
- Wet Location listing available
- 60,000 hour LEDs at L80 (up to 150,000 projected life) for reduced maintenance
- Four LED color choices
- LED modules and electrical accessible from below
- QR code traceability
- The DTS, Dimming Bypass Module, is for emergency circuit control loads including sensors and wireless systems listed to UL924
- DLC® (DesignLights Consortium) Qualified - see www.designlights.org
- Five year warranty (Terms and Conditions apply)

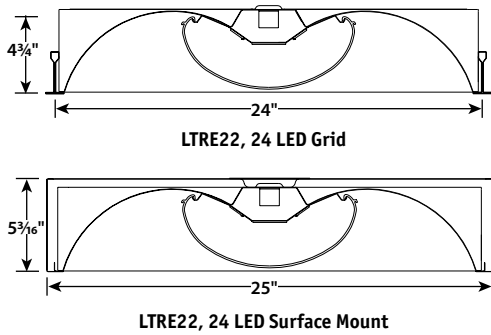
### ORDERING INFORMATION

<b>LTRE</b>		-		-		-	<b>RFA</b>	-		-		-	<b>U</b>	-		
MODEL		COLOR TEMPERATURE		CEILING TYPE		DRIVER			OPTIONS							
LTRE Transition® LED Enclosed High Efficiency Architectural Lensed		30	3000K	<b>G</b>	Grid Lay-in <sup>2</sup>	<b>E</b>	Fixed Output			<b>ELL14</b> Emergency Battery Pack, 1400 Lumens <sup>4,5</sup>						
		35	3500K	<b>SM</b>	Surface Mount	<b>ESD</b>	Fixed Output/ Step Dimming			<b>GLR</b> Fast Blow Fuse						
		40	4000K	<b>CM</b>	Cable/ Suspended Mount <sup>3</sup>	<b>ED</b>	0-10V Dimming			<b>GTD</b> Generator Transfer Device <sup>6</sup>						
		50	5000K			<b>ED1</b>	0-10V Dimming to 1%			<b>DTS</b> Dimming Bypass Module <sup>1,7</sup>						
						<b>LUT5</b>	5-Series EcoSystem LED driver			<b>C388</b> 3-Wire Flex						
SIZE	LUMEN OUTPUT		SHIELDING		VOLTAGE											
22	2' x 2'	<b>LW</b>	Low Watt		<b>RFA</b>	120V-277V										
24	2' x 4'	<b>ML</b>	Medium Lumen													
		<b>HL</b>	High Lumen													
		<b>VL</b>	Very High Lumen													
		<b>XL</b>	Extra High Lumen <sup>1</sup>													
See Product Availability Table below.																

### ACCESSORIES (ORDER SEPARATELY)

- FK22** 2' x 2' Flange Kit
- FK24** 2' x 4' Flange Kit
- CM48Y25C3F-KIT** 48" Cable Mount Kit for 2' wide Cable Mount fixtures, 3 Wire

<sup>1</sup> 2x4 XL not available with ELL14 or DTS  
<sup>2</sup> For drywall, order G with Flange Kit Accessory  
<sup>3</sup> Order hanger accessories separately  
<sup>4</sup> For compatibility with Dual-Lite LiteGear® inverters, contact Hubbell Lighting Representative  
<sup>5</sup> Not available on Surface Mount or Cable Mount ceiling types  
<sup>6</sup> GTD available for E (fixed output) driver option only  
<sup>7</sup> For emergency circuit control loads including sensors and wireless systems listed to UL924. Only available with 0-10V drivers  
<sup>8</sup> Optional antimicrobial paint (AM option) resists bacterial growth on exposed painted surfaces  
 For questions about configuration options, contact Hubbell Representative



### PRODUCT AVAILABILITY

SIZE	LUMEN PACKAGE	NOMINAL LUMENS	NOMINAL WATTS	LUMENS PER WATT
22	ML	2,975 - 3,100	30	100 - 104
	HL	3,625 - 3,875	36	101 - 108
	VL	4,275 - 4,925	44	98 - 112
24	LW	4,275 - 4,875	38	114 - 130
	ML	4,650 - 5,325	41	112 - 129
	HL	5,575 - 6,475	52	108 - 126
	VL	7,225 - 8,250	67	109 - 124
	XL	8,350 - 9,650	81	103 - 119

Nominal lumen range represents 3000K through 5000K. Lumens vary according to color temperatures and other factors. See specific photometric test(s).