

HLEBS

Hazardous Location Emergency Light

EMERGENCY LIGHTING



FEATURES

- Hazardous location LED based emergency lighting system
- Copper free (less than 0.4%) aluminum housing with a baked on electro-statically applied epoxy
- Long-life Nickel Cadmium batteries
- Integral Push-To-Test switch and AC indicator

ORDERING INFORMATION

MODEL	CAPACITY	TEST OPTIONS	TIME DELAY	LAMP-HEAD OPTIONS
HLEBS 23DH	23 Watts with two heads for 90 min	P Integral PTT on Enclosure	T 15 Min Time Delay (120 or 277VAC)	N No heads - For Remote Heads Ordered Separately A 2 HLEBSHK1030 Heads Factory Attached BG 2 HLEBSEL1030 Heads with Guards and Fittings for Attachment BE 2 HLEBSEL1030 Heads with 1 Guard and 1 HEXA-100 EXIT and Fittings for Attachment CG 1 HLEBSHK1030 Heads Attached and 1 HLEBSEL1030 Head with Guard and Fittings for Attachment CE 1 HLEBSHK1030 Heads Attached and 1 HLEBSEL1030 Head with HEXA-100 EXIT and Fittings for Attachment D 1 HLEBSHK1030 Only (2nd Head Remote - Ordered Separately) EG 1 HLEBSEL1030 Only with Guard and Fittings for Attachment (2nd Head Remote - Ordered Separately) EE 1 HLEBSEL1030 Only with HEXA100 EXIT and Fittings for Attachment (2nd Head Remote - Ordered Separately)

DIRECT MOUNT CONFIGURATION EXAMPLES



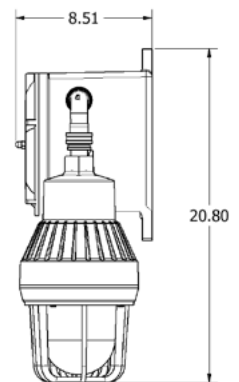
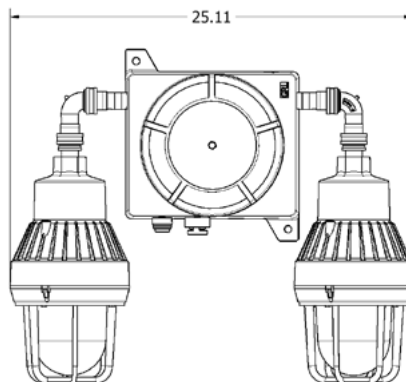
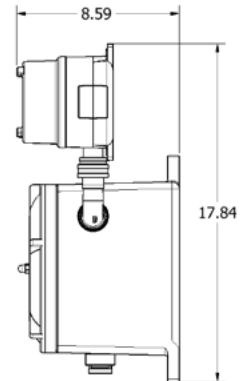
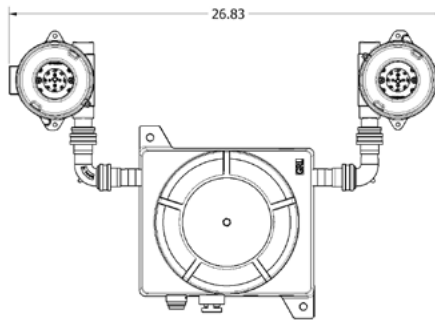
A- HK Heads Attached



BE-EL Heads and Exit Acc.



CG-HK and EL Heads



HLEBS

Hazardous Location Emergency Light

EMERGENCY LIGHTING

FEATURES

- The EL and HK heads are available for indirect remote mounting and are used in conjunction with the HLEBS housing/charger assembly designed to run 2 heads max.
- All remote heads are hazardous location listed
- All heads are 30VDC input with 10W load
- EL heads offer 1021 lumens and HK heads offer 905 lumens initial output



Pendant

INDIRECT MOUNT CONFIGURATION EXAMPLES (ORDERED SEPARATELY)



Pendant



Ceiling



Wall

EL Remote Heads 10W 30VDC

	Pendant 3/4"	Ceiling 3/4"	Wall 3/4"
With Guard	HLEBSEL1030A2G	HLEBSEL1030X2G	HLEBSEL1030B2G
Without Guard	HLEBSEL1030A2	HLEBSEL1030X2	HLEBSEL1030B2

Classification: CID1CD; CIID1EFG



EBSHK1030-RFSC



EBSHK1030-RFSL

HK Remote Heads 10W 30VDC

HK Head with Adjustable Factory Sealed "C" fittings set

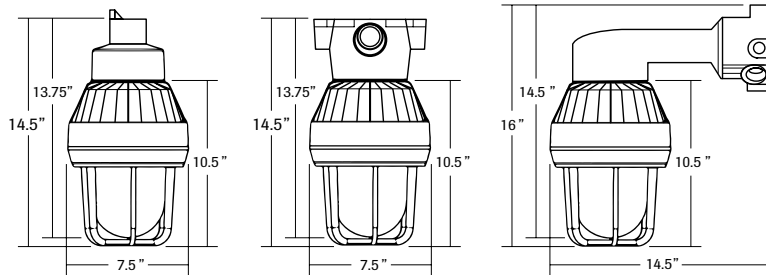
HLEBSHK1030-RFSC

HK Head with Adjustable Factory Sealed "L" fittings set

HLEBSHK1030-RFSL

Classification: CID1D; CIID1EFG

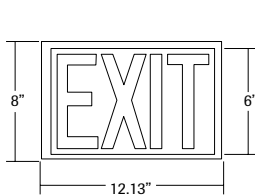
DIMENSIONS



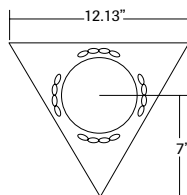
Pendant

Ceiling

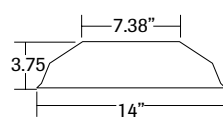
Wall



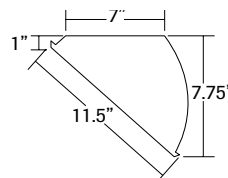
Exit Sign



Exit Accessory



Standard Dome



Angled

LUMINAIRE ACCESSORIES

MODEL	DESCRIPTION	
HEXA-100	Exit Accessory	
EMG1	Globe Guard	
EMG1R	Red Globe Guard	
ERSD15	Dome Reflector	
ERA15	Angle Reflector	

