

# HLE Series

## INC/FL/HID Explosion Proof



- For use in classified areas such as paint manufacturing, munitions facilities, chemical and petrochemical, oil & gas production, and marine loading terminals.
  - Compact size for medium base incandescent and HID lamps, plus twin FL (lamp provided)
  - Mounting choices of pendant, ceiling, 25° stanchion or 90° wall mount with “wireless” design for quick installation
  - Factory sealed – no external seal required
  - Available with guard, standard dome or 25° reflector, or exit sign
  - Housing, Mounting Adaptor, Guard –
- Copper-free (<0.4%) aluminum with powder polyester finish, electrostatically applied, tan in color
  - Hardware – 316 stainless steel
  - Reflectors – Fiberglass reinforced polyester, white
  - UL844 Standard: Class I, Div. 1, Groups C, D; Class II, Div. 1 & 2, Groups E, F, G; Class III, Div. 1 & 2
  - UL1598A Marine Outdoor
  - NEMA 3, 4, 4X, 7 (C, D), 9 (E, F, G)
  - Listed to UL1598 for use in wet locations



### ORDERING INFORMATION

HLE							
SERIES	SOURCE	WATTAGE	MOUNT	OPTIONS			
<b>HLE</b> HLE Series	<b>I</b> Incandescent <b>F</b> Fluorescent <b>S</b> HPS <b>H</b> MH	<b>15</b> 150 watt A-21, INC <b>20</b> 300 watt PS-25, INC <b>30</b> 300 watt PS-30, INC <b>13</b> (1) 13 watt Bi-Pin FLUOR <b>26</b> (2) 13 watt Bi-Pin EBF or (1) Quad-Pin EQF 26 Watt FLUOR <b>32</b> Quad-Pin FLUOR <b>42</b> Quad-Pin FLUOR <b>52</b> Quad-Pin FLUOR (2x26) <b>64</b> Quad-Pin FLUOR (2x32) <b>84</b> Quad-Pin FLUOR (2x42) <b>35</b> 35W, HPS <b>05</b> 50W, HPS, MH <b>07</b> 70W, HPS, MH <b>10</b> 100W, HPS, MH <b>15</b> 150W, HPS	<b>A2</b> 3/4" Pendant <b>A3</b> 1" Pendant <b>X2</b> 3/4" Ceiling <b>X3</b> 1" Ceiling <b>B2</b> 3/4" Bracket <b>B3</b> 1" Bracket <b>D4</b> 1 1/4" Stanchion <b>D5</b> 1 1/2" Stanchion	<b>ML</b> UL Marine listing for HLEMI (Standard on HLEMS, HLEMM, HLEMH. Not available on HLEBF, HLEQF)  <b>SU103<sup>1</sup></b> Assembled with lamp			
<b>LAMP BASE</b>				<b>GUARD</b>			
<b>M</b> Medium Base <b>B</b> Bi-pin Base				<b>G</b> With guard (Omit G if guard is not required)			
				<b>VOLTAGE (@ 60 Hz)</b>			
				<b>0</b> Quadri-Volt (120, 208, 240, 277V) <b>1</b> 120V <b>4</b> 277V <b>5</b> 480V <b>6</b> 347V Canada (70, 100 MH/HPS)			

1 Not available with incandescent

### ACCESSORIES - Order Separately

Catalog Number	Description
<b>HLEMG1</b>	Guard for incandescent (HLEMI20) and fluorescent
<b>HLEMG2</b>	Guard for incandescent (HLEMI30) and HID lamp sources
<b>HLERSD15</b>	Standard dome reflector for incandescent and fluorescent
<b>HLERSD30</b>	Dome reflector for HID lamp sources
<b>HLERA15</b>	Angle reflector for incandescent and fluorescent
<b>HLERA30</b>	Angle reflector for HID lamp sources
<b>HEXA-100</b>	Triangular exit sign. Fits HLEMI15, HLEMI20, HLEBF Series, without guard
<b>KT-100SU41G</b>	Green inner globe kit fits HLEMI20 (fits over A-21, 150w lamp only)
<b>KT-100SU41R</b>	Red inner globe kit fits HLEMI20 (fits over A-21, 150w lamp only)
<b>HLEMG2</b>	Guard for HID lamp sources

### COMPONENTS

Catalog Number	Description
<b>Mounting Adapters</b>	
<b>HLEZA2</b>	3/4" Pendant
<b>HLEZA3</b>	1" Pendant
<b>HLEZB2</b>	3/4" Wall
<b>HLEZB3</b>	1" Wall
<b>HLEZD4</b>	1 1/4" Stanchion
<b>HLEZD5</b>	1 1/2" Stanchion
<b>HLEZX2</b>	3/4" Ceiling
<b>HLEZX3</b>	1" Ceiling
<b>Housing and Globe</b>	
<b>HLEMI15</b>	150w max. Incandescent
<b>HLEMI20</b>	300w max. Incandescent (PS-25)
<b>HLEMI30</b>	300w max. Incandescent (PS-30)
<b>HLEBF13X<sup>1</sup></b>	1 - 13w PL Fluorescent
<b>HLEBF26X<sup>1</sup></b>	2 - 13w PL Fluorescent
<b>HLEMS070</b>	70w HPS Quad-Tap®
<b>HLEMS100</b>	100w HPS Quad-Tap®
<b>HLEMS151</b>	150w HPS 120V
<b>HLEMH070</b>	70w MH Quad-Tap®
<b>HLEMH100</b>	100w MH Quad-Tap®

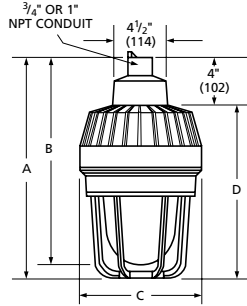
1 Replace X with 1 = 120V, 4 = 277V

# HLE Series

## INC/FL/HID Explosion Proof

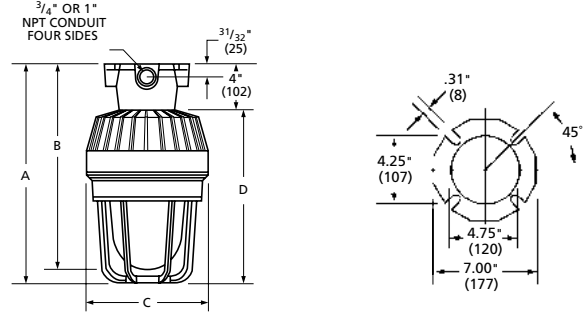
### DIMENSIONS

#### PENDANT



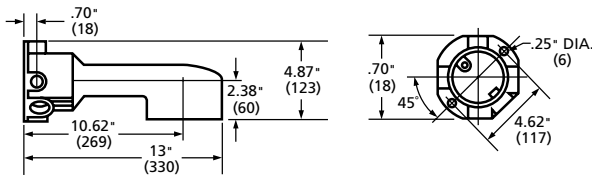
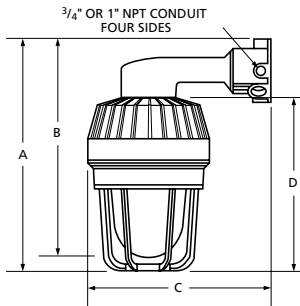
	A	B	C	D
HLEMI/HLEBF	14 5/16"	13 11/16"	7 7/16"	10 5/16"
	364 mm	348 mm	189 mm	262 mm
HLEMH/HLEMM/ HLEMS/HLESX	15 15/16"	15 1/16"	8 13/16"	11 15/16"
	405 mm	383 mm	224 mm	303 mm

#### CEILING



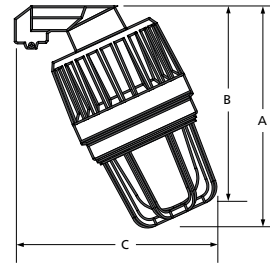
	A	B	C	D
HLEMI/HLEBF	14 5/16"	13 11/16"	7 7/16"	10 5/16"
	364 mm	348 mm	189 mm	262 mm
HLEMH/HLEMM/ HLEMS/HLESX	14 5/16"	13 11/16"	7 7/16"	10 5/16"
	405 mm	383 mm	224 mm	303 mm

#### WALL



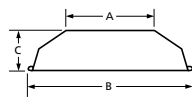
	A	B	C	D
HLEMI/HLEBF	15 13/16"	14 7/16"	14 1/2"	10 5/16"
	402 mm	367 mm	368 mm	262 mm
HLEMH/HLEMM/ HLEMS/HLESX	16 13/16"	15 15/16"	15"	11 15/16"
	427 mm	405 mm	381 mm	303 mm

#### 25° STANCHION



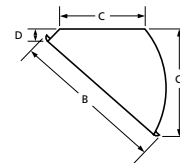
	A	B	C
HLEMI/HLEBF	14"	13 1/4"	13"
	356 mm	337 mm	330 mm
HLEMH/HLEMM/ HLEMS/HLESX	15 1/8"	14"	13 1/2"
	384 mm	356 mm	343 mm

#### STANDARD DOME



	A	B	C
HLEMI/HLEBF	7 3/8"	14"	3 3/4"
	187 mm	356 mm	95 mm
HLEMS/HLEMH/HLEMM	8 3/4"	16 1/8"	3 15/16"
	222 mm	410 mm	100 mm

#### ANGLE DOME



	A	B	C	D
HLEMI/HLEBF	7"	11 1/2"	7 3/4"	1"
	178 mm	292 mm	197 mm	25 mm
HLEMS/HLEMH/HLEMM	8 3/4"	14 3/16"	7 3/4"	1"
	222 mm	360 mm	197 mm	25 mm



# HLE Series

## INC/FL/HID Explosion Proof

### TEMPERATURE CODES

Class I, Division 1 & 2 HLEMI and HLEBF Series Hazardous Location Application Data

Fixture Series <sup>1</sup>	Lamp Type/ Size Max.	Lamp Watts	Rated Ambient °C	Supply Wire Suitable For °C Min.	Class I, Division 1 & 2 Maximum Surface Temp. w/o Reflector			UL 595 Listed <sup>2</sup>	Paint Spray Suitability UL	Type 4 (Hose-Down) <sup>2</sup>
					Temp. I.D.	Actual Temp.	UL/CSA Groups			
HLEMI15	INC. A-19	60	40	75	T6	79	C,D	Yes	No	Yes
HLEMI15	INC. A-19	75	40	75	T4A	103	C,D	Yes	No	Yes
HLEMI15	INC. A-19	100	40	75	T4A	103	C,D	Yes	No	Yes
HLEMI15	INC. A-21	100	40	75	T4A	101	C,D	Yes	No	Yes
HLEMI15	INC. A-21	150	40	75	T4	123	C,D	Yes	No	Yes
HLEMI20	INC. A-23	100	40	90	T4A	107	C,D	Yes	No	Yes
HLEMI20	INC. A-23	150	40	90	T4	132	C,D	Yes	No	Yes
HLEMI20	INC. PS-25	150	40	90	T4	126	C,D	Yes	No	Yes
HLEMI20	INC. A-23	200	40	90	T3C	146	C,D	Yes	No	Yes
HLEMI20	INC. PS-25	200	40	90	T3C	154	C,D	Yes	No	Yes
HLEMI20	INC. PS-25	300	40	90	T3	190	C,D	Yes	No	Yes
HLEBF13	FL (1) PL	13	40	75	T6	62	C,D	No	Yes	Yes
HLEBF26 <sup>3</sup>	FL (2) PL	26	40	75	T6	62	C,D	No	Yes	Yes
HLEMS070	HPS S-62	70	40	75	T6	83	C,D	Yes	Yes	Yes
HLEMS100	HPS S-54	100	40	75	T5	99	C,D	Yes	No	Yes
HLEMS150	HPS S-55	150	40	75	T4A	119	C,D	Yes	No	Yes
HLEMH070	MH M-98	70	40	75	T5	95	C,D	Yes	Yes	Yes
HLEMH100	MH M-90	100	40	75	T4A	101	C,D	Yes	No	Yes

Note: Fixtures approved for mounting with lamp base up only

1 Do not install where marked operating temperature exceeds ignition temperature of hazardous atmosphere

2 For UL 1598A Marine Outdoor and UL/CSA Type 4 fixture label, add suffix ML to fixture catalog number

3 13w per lamp

Class II, Division 1 & 2 HLEMI and HLEBF Series Hazardous Location Application Data

Fixture Series <sup>1</sup>	Lamp Type/ Size Max.	Lamp Watts	Rated Ambient °C	Supply Wire Suitable For °C Min.	Class II, Division 1 & 2 Maximum Surface Temp.				UL/CSA Groups	Class III Div. 1 & 2 UL/CSA Suitability
					UL/CSA w/Reflector		UL/CSA w/o Reflector			
					Temp. I.D.	Actual Temp.	Temp. I.D.	Actual Temp.		
HLEMI15	INC. A-19	60	40	75	T3C	132	T3C	132	E,F,G	Yes
HLEMI15	INC. A-19	75	40	75	T3A	163	T3A	162	E,F	No
HLEMI15	INC. A-19	100	40	75	T3A	163	T3A	162	E,F	No
HLEMI15	INC. A-21	100	40	75	T3A	172	T3A	172	E,F	No
HLEMI15	INC. A-21	150	40	75	N/A	192	T3	192	E,F	No
HLEMI20	INC. A-23	100	40	90	T3A	166	T3A	166	E,F	No
HLEMI20	INC. A-23	150	40	90	T3	196	T3A	178	E,F	No
HLEMI20	INC. PS-25	150	40	90	N/A	N/A	N/A	N/A	No	No
HLEMI20	INC. A-23	200	40	90	N/A	N/A	N/A	N/A	No	No
HLEMI20	INC. PS-25	200	40	90	N/A	N/A	N/A	N/A	No	No
HLEMI20	INC. PS-25	300	40	90	N/A	N/A	N/A	N/A	No	No
HLEBF13	FL (1) PL	13	40	75	T6	69	T6	66	E,F,G	Yes
HLEBF26 <sup>2</sup>	FL (2) PL	26	40	75	T6	69	T6	66	E,F,G	Yes
HLEMS070	HPS S-62	70	40	75	T4A	116	T4A	116	E,F,G	Yes
HLEMS100	HPS S-54	100	40	75	T3B	161	T3B	161	E,F,G	Yes
HLEMS150	HPS S-55	150	40	75	T3B	180	T3B	180	E,F	No
HLEMH070	MH M-98	70	40	75	T4	121	T4	121	E,F,G	Yes
HLEMH100	MH M-90	100	40	75	T3C	150	T3C	153	E,F,G	Yes

Note: Fixtures approved for mounting with lamp base up only

1 Do not install where marked operating temperature exceeds ignition temperature of hazardous atmosphere

2 13wper lamp



**HUBBELL**  
Industrial Lighting