

# HL-HFX Series

## Fluorescent Explosion Proof

- For use in hazardous locations where flammable gases, vapors and combustible dusts are present; Applications include paint spray booths, oil and gas production, petrochemical and other hazardous, corrosive facilities
- Relamping from either end permits easy access, speed and flexibility in relamping
- Spring loaded sockets on both lamp ends provide positive electrical contact and improved vibration resistance
- Threaded O-Ring gasketed covers provide easy access to lamp chambers, ballast and wiring compartment
- UL Listed for use in paint spray booths
- Ballast housing and end caps – copper-free (>0.4%) aluminum
- External hardware – SS 316
- Reflectors – Extruded aluminum with white baked enamel finish; Removable for cleaning
- Wire Guard accessory - SS316
- UL 844: Class I, Div. 1/2, Groups C,D; Class II, Div. 1/2, Groups E, F, G; Class III, Div. 1/2
- UL 1598A Marine Outdoor; NEMA 3, 4X, 7 (C, D), 9 (E, F, G)



CLASS I DIVISION 1

### ORDERING INFORMATION

HLHFX				
SERIES	LAMP CURRENT	VOLTAGE	NUMBER OF LAMPS	OPTIONS
<b>HLHFX</b> Hazardous Location Fluorescent	<b>265<sup>2</sup></b> 265 mA, 32w T8 (0°F starting, electronic)	<b>1</b> 120V (430 mA-1500 mA only) <b>4</b> 277V (430MA-1500 mA only) <b>7</b> 220V 60Hz <b>8</b> 220-277V, 50/60Hz (430 mA 2 & 4 lamp models only)	<b>2</b> 2 lamps <b>3</b> 3 lamps <b>4</b> 4 lamps	<b>FB</b> Individually in-line fused ballast (not marine) <b>WL</b> With lamps supplied
	<b>430<sup>1</sup></b> 430 mA, 40w RS (50°F starting, electronic)	<b>30<sup>2</sup></b> 120-277V, 50/60Hz (265 mA only)		
	<b>800</b> 800 mA, 60w RS HO (-20°F starting)			
	<b>1500</b> 1500 mA, 110w RS VHO (-20°F starting)			

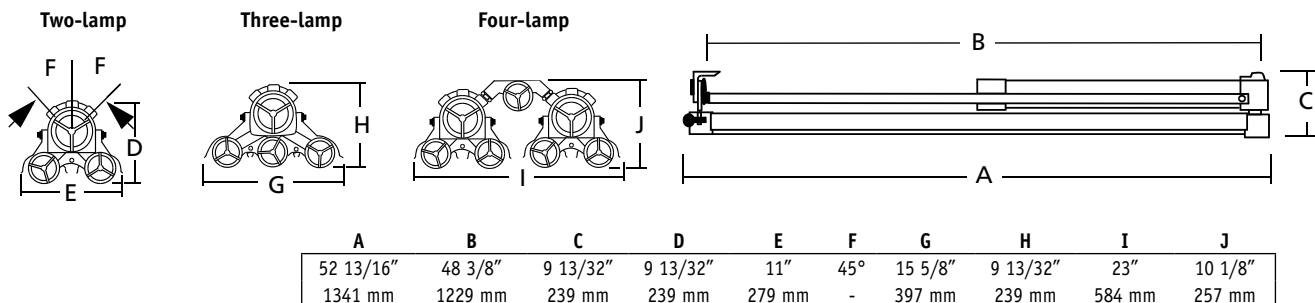
1 430 mA ballasts 60°F start with 32w lamps  
2 265 mA electronic ballast standard as universal voltage

### ACCESSORIES - Order Separately

Catalog Number	Description
<b>2HFX-G4</b>	2 & 4 lamp, stainless steel wire guard
<b>3HFX-G4</b>	3 lamp, stainless steel wire guard

### WEIGHTS

Fixture	lbs. (kg)
<b>2 Lamp</b>	47.7 (95.4)
<b>3 Lamp</b>	63 (126)
<b>4 Lamp</b>	99.9 (199.8)



Industrial Lighting