

# SLS Series

## SportsLiter Solutions

SPORTSLIGHTING



SLS series Sportsliter luminaires are ideally suited for recreational, collegiate and professional sporting events where quality levels of illumination and uniformity are required. They are equally suited for large open areas such as parking lots, storage areas and transfer yards.

- Die-cast aluminum housing
- Isolated ballast compartment
- Stainless steel lens ring; Silicone gasketing
- Filtered optics; Built-in lamp support
- Mounting hardware included
- Isolated wiring chamber
- Hubbell Gard™ treated hardware
- Lektrocote® polyester powder paint
- Horizontal and vertical aiming indicators
- Aiming sights ordered separately
- 2.8 EPA
- Fast Aim™ system for relamping
- Thermal shock, impact resistant tempered glass lens
- Stainless steel hinge and latches
- Environmental spill/glare control optional
- Remote ballast system available
- UL listed and CSA certified for wet locations
- 40° C ambient operation

### ORDERING INFORMATION

SLS	-	-	-	-	-
SERIES	WATTAGE/SOURCE	BALLAST TYPE	VOLTAGE	GENERAL OPTIONS	
SLS SportsLiter Series	1000P 1000w PSMH 1500H 1500w MH 1000S 1000w HPS	0 <sup>1</sup> No ballast (remote head only) 1 HPF regulated, peak lead auto, CWA, auto regulated	5 480V 6 <sup>8</sup> Tri-Tap® (120, 277, 347V) 8 Quad Tap* (120, 208, 240, 277V) E <sup>8</sup> 220/240 50 Hz F 347V 1000w Pulse Start only	3CXX <sup>1,5</sup> 3' Prewired SEOWA cord (specify voltage) 6CXX <sup>1,5</sup> 6' Prewired SEOWA cord (specify voltage) 12CXX <sup>1,5</sup> 12' Prewired SEOWA cord (specify voltage) 0 No Ballast (remote head only) F(X) <sup>7</sup> Fusing (X = voltage) PH <sup>2</sup> Protective Hull SG Spill/Glare control (internal faceted louver, N, M & W only) V2 External visor for axial and horizontal lamp optics (shipped separately) LV External visor/louver for axial and horizontal lamp optics (shipped separately) AR Anti reflectance high performance lens	
		<b>BEAM DISTRIBUTION</b>			
		2 NEMA Type 2 3 <sup>6</sup> NEMA Type 3 4 NEMA Type 4 5 NEMA Type 5 6 NEMA Type 6 N <sup>3,4</sup> Narrow beam horizontal lamp M <sup>3,4</sup> Medium beam horizontal lamp W <sup>3,4</sup> Wide beam horizontal lamp			

1. For wire gauge, replace first X with 6 - 16/3; 4 - 14/3; or 2 - 12/3; (NOTE: 120V 1500W units must use 14/3 or 12/3);  
For voltage replace second X with 1 - 120V; 2 - 208V; 3 - 240V; 4 - 277V; 5 - 480V; 6 - 347V  
2. Hull adds 4 lbs. to total weight - shipped separately except on N/M/W optics (assembled on unit)  
3. N/M/W beam distributions not available in HPS; Luminaire shipped as completely assembled unit  
4. Units not suitable for up-aiming  
5. Specific wire gauge and wiring methods may be required by local or national codes;  
Consult local inspection agencies for details prior to ordering  
6. Type 3 distribution not available in 1000w HPS  
7. Replace X with: 1-120V, 2-208V, 3-240V, 4-277V, 5-480V  
8. 1000w HPS and 1500w Metal Halide only  
Note: Aiming sights ordered separately (see Accessories page 3). Recommend 1-2 per pole

Accessories (order separately)	Description
SLSAIMINGSIGHTAXL	Aiming sight for axial optic
SLSAIMINGSIGHTHZL	Aiming sight for horizontal optic

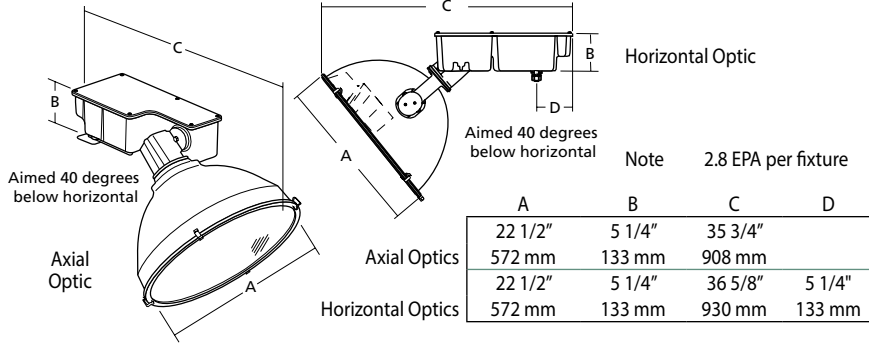
Note: Recommend 1-2 per pole

Accessories (order separately)  
See page 696.

# SLS Series Dimensions

SportsLiter Solutions

## SLS INTEGRAL BALLAST



Integral Luminaires	Weight	
	lbs	kg
METAL HALIDE		
Axial, 1000w	47.0	21.4
Axial, 1500w	50.0	22.8
Horizontal, 1000w	49.5	22.6
Horizontal, 1500w	52.5	23.9
HIGH PRESSURE SODIUM		
1000w	51.0	23.2

SPORTSLIGHTING