

# Mounting Accessories

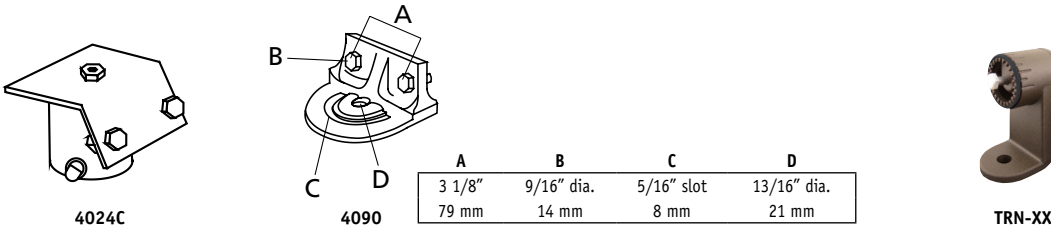
## Accessories: Trunnion Mount Fittings

FLOODLIGHTING

### ORDERING INFORMATION

Catalog Number	Description	Weight lbs. (kg)
<b>HID Floodlights</b>		
<b>4024C</b>	Steel slipfitter for 2" pipe, 2 3/8" OD yoke mount, Bronze finish; Also available in Gray: <b>4024CM53</b> and galvanized: <b>4024CM38</b>	4 (1.8)
<b>4090</b>	Heavy-duty cast iron crossarm fitting for horizontal trunnion; Bronze Lektrocote®	3 (1.4)
<b>TRN-XX<sup>2</sup></b>	Trunnion adaptor for 1/2" threaded knuckle mount	.5 (0.2)

- 1 For yoke (trunnion) mounted units only  
2 Specify color, eg. DB - Dark Bronze



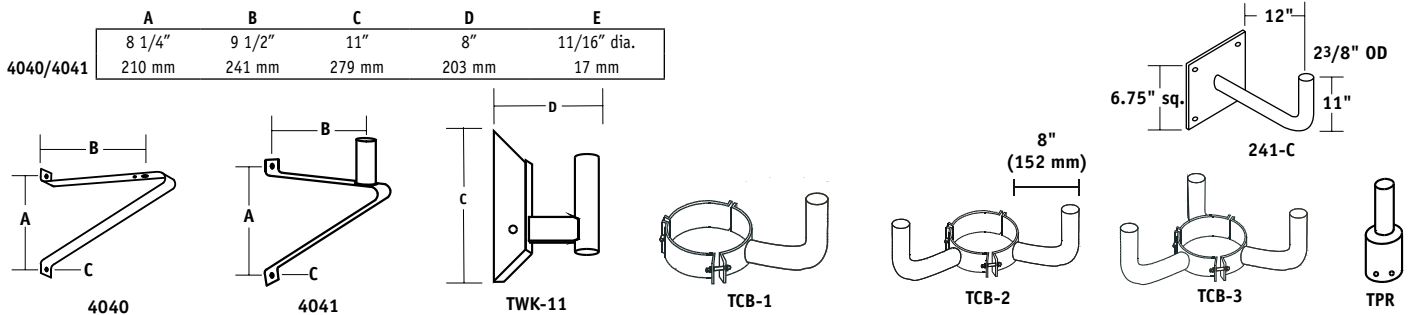
## Accessories: Wall and Pole Mount Brackets

### ORDERING INFORMATION

Catalog Number	Description	Weight lbs. (kg)	Maximum Loading Weight
<b>For Use With Crossarm Fittings</b>			
<b>4040</b>	Heavy-duty steel wall/pole bracket; Bronze Lektrocote®	5.5 (2.5)	90 (40.8)
<b>For Use With Slipfitter Fittings</b>			
<b>4041</b>	Heavy-duty steel wall/pole bracket 2" pipe (2 3/8" OD) tenon fitting for use with slipfitter units or 4024C; Bronze Lektrocote®	7 (3.2)	90 (40.8)
<b>241-C-XX</b>	Flat surface bracket - 90° horn steel (2 3/8" OD)	16 (7.3)	70 (30.7)
<b>TWK-11</b>	Wall bracket with splice compartment for thru-wiring with 2" pipe (2 3/8" OD) tenon	15 (6.8)	90 (40.8)
<b>TCB-1</b>	Wood pole clamp on bracket with 2" pipe (2 3/8" OD) tenon; Clamps 6" to 12" diameter	16 (7.3)	70 (31.7)
<b>TCB-2</b>	Wood pole clamp on bracket with 2" pipe (2 3/8" OD) tenon; Two tenons at 120° (clamps 6" to 12" diameter)	20 (9.1)	140 (63.4)
<b>TCB-3</b>	Wood pole clamp on bracket with 2" pipe (2 3/8" OD) tenon; Three tenons at 120° (clamps 6" to 12" diameter)	28 (12.7)	210 (95.1)
<b>Tenon Reducers</b>			
<b>TPR-2<sup>1</sup></b>	2 1/2" to 2" pipe size tenon reducer	6 (2.7)	105 (47.6)
<b>TPR-3<sup>2</sup></b>	3" to 2" pipe size tenon reducer	8 (3.6)	105 (47.6)
<b>TPR-4<sup>3</sup></b>	4" to 2" pipe size tenon reducer	9 (4.1)	105 (47.6)

Note: Bronze color standard, for other colors add suffix to catalog number: -M50 black finish, -M52 white finish, -M53 gray finish

- 1 Bracket I.D., 3 1/16"  
2 Bracket I.D., 3 1/2"  
3 Bracket I.D., 4 5/8"

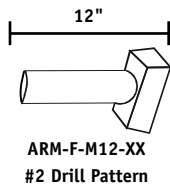


# Mounting Brackets

## Square Steel Pole Mounting Brackets

The ARM and RA brackets are made from 2 3/8" OD steel tubing and are designed to mount on square steel poles (SSS Series). Units are offered in gray or dark bronze powder paint finishes to match our RM/RL roadway series. Mounting hardware for those poles is included.

Catalog Number	Length (ft)	Outside Diameter (OD)	Finish	EPA	Weight lbs. (kg)
ARM-F-M12-DB	12"	2 3/8"	Bronze	0.14	6 (2.7)
ARM-F-M12-GR	12"	2 3/8"	Gray	0.14	6 (2.7)
ARM-F-M12-PS	12"	2 3/8"	Platinum Silver	0.14	6 (2.7)
ARM-F-M12-BL	12"	2 3/8"	Black	0.14	6 (2.7)
ARM-F-M12-WH	12"	2 3/8"	White	0.14	6 (2.7)
ARM-F-M12-RD	12"	2 3/8"	Red	0.14	6 (2.7)
ARM-F-M12-FG	12"	2 3/8"	Forest Green	0.14	6 (2.7)

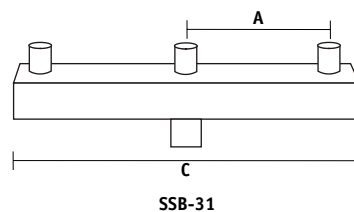
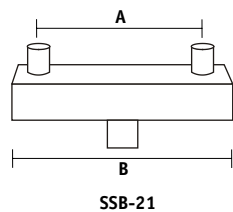


## Accessories: Square Steel Brackets (Project finishes available)

Decorative steel floodlight brackets. 4" square tubing with 2 3/8" O.D. fixture tenons. Square 4" bottom with 2 1/2" I.D. internal adapter for standard round tenons. Available in multiple finishes as shown. Use with SSS series poles.

Catalog Number	Description	Maximum Weight Per Tenon lbs. (kg)	EPA ft <sup>2</sup> (m <sup>2</sup> )	Weight lbs. (kg)
SSB-21-M51	Twin 180°	60 (27.2)	1.2 (0.1)	24 (10.9)
SSB-31-M51	Triple 180°	60 (27.2)	2.3 (0.2)	44 (19.9)
SSB-41-M51	Quad 180°	60 (27.2)	3.4 (0.3)	64 (29)
SSB-43-M51	Quad 90°	60 (27.2)	2.8 (0.3)	46 (20.8)

Note: Bronze color standard, for others, add suffix to catalog number: -M50 - Black finish; -M52 - White finish; -M53 - Gray finish



A	B	C	D	E
24"	30"	54"	78"	30"
610 mm	762 mm	1372 mm	1981 mm	762 mm

