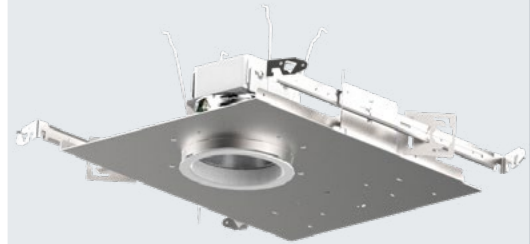


4" Lens Standard Lumen Downlight

LED system in 2700K, 3000K, 3500K, 4000K, 5000K

FEATURES

- Light Engine utilizes Philips Fortimo LED module and provides controlled color consistency fixture to fixture
- Universal 120-277V high efficiency LED driver with 0-10V dimming standard
- Standard Regressed lens reduces glare and maintains clean viewing angles
- IP65 and vandal-resistant (VR) options are made of 16GA cold rolled steel and come standard with high impact polycarbonate lens
- Shipped with pre-installed Light Commercial bar hangers. (Not with CP option. See below for optional Commercial grade bar hangers)
- Choice of Clear or Diffuse lens
- Minimum 50,000 hours at 70% lumen maintenance system life
- Photometrics tested per IESNA-LM-79-2008 standards
- Non-IC rated. Suitable for wet locations and through wiring (Damp location for EMR)
- Luminaires are certified by a National Recognized Testing Lab (NRTL), either UL or CSA.
- NX Distributed Intelligence™ provides options for standalone and networked integrated sensor with wired or wireless connectivity for NX system deployments



LF4SL Lens

LED

ORDERING INFORMATION

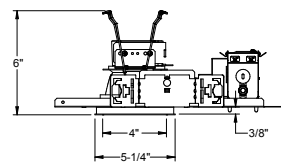
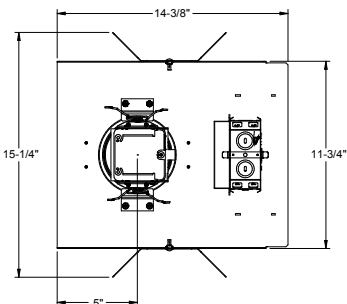
EXAMPLE: LF4SL-4LFSL11L30K8DL

LF4SL				4LFSL	11L	30K	8					DL	
HOUSING LF4SL Standard Lumen 0-10V 10% dimming 120V-277V	VOLTAGE OPTIONS Standard 120V-277V 347 347V	TRIM APERTURE 4LFSL Semi-Diffuse Clear Alzak	OUTPUT 11L 1100 Lumen Module 15L 1500 Lumen Module 20L ¹⁴ 2000 Lumen Module	CRI 8 80+ CRI 9 90+ CRI	REFLECTOR OPTIONS IP65 ^{6,9,15} Flush Lens, Dust and Water tight to IP65 VR ^{6,9,15} Vandal Resistant FLU ^{8,9} Flush Mount (Brushed Aluminum Flange Standard)	LENS CL ⁷ Clear Lens (Regressed Standard) DL ⁷ Diffuse Lens (Regressed Standard)	ACCESSORIES B24 ⁴ Set of two (2) 24" bar hangers for T-bar ceilings B6 ⁴ Set of two (2) bar hangers for ceiling joist up to 24" centers LiteGear ⁵ Inverter, single phase central lighting, 125VA-250VA LPS Series ⁵ LitePower micro-inverter, 20VA-55VA	DRIVER OPTIONS Standard 0-10V 10% Dimming DM1 0-10V dimming at 1% DMT ^{11,12} SpectraSync™ Tunable White DMTW ¹³ SpectraSync™ Tunable Dim to Warm	HOUSING OPTIONS EMR ² Emergency Battery Pack with remote test switch and indicator light CP ^{2,3,4,14,18} Chicago Plenum LV ¹⁰ Lutron Vive Enabled, 0-10V, 120-277V NXWE ^{3,17,18} NX Wireless Enabled NXE ^{3,17,18} NX Enabled, Dual SmartPorts	KELVIN 27K 2700 Kelvin 30K 3000 Kelvin 35K 3500 Kelvin 40K 4000 Kelvin 50K 5000 Kelvin 2230TD ¹⁹ 2200K-3000K SpectraSync™ Dim to Warm 2750T ⁹ 2700K-5000K SpectraSync™ Tunable White 2765T ⁹ 2700K-6500K SpectraSync™ Tunable White	REFLECTOR FINISH OPTIONS Standard Semi-Diffuse SP Specular SS Semi-Specular MFC American Matte™ V Kurt Versen Specular VS Kurt Versen Softglow® VSS Kurt Versen SoftSheen™	REFLECTOR COLOR OPTIONS Standard Clear Alzak CG Champagne Gold Alzak GD Gold Alzak BL Black Alzak WE Wheat Alzak LW Light Wheat Alzak PW Pewter Alzak WH Painted Matte White Reflector and Flange BC Painted Black Reflector and Flange	TRIM OPTIONS WT Painted White Flange only TRG Trim Ring Gasket BNCT ^{8,16} Black Non-conductive Trim WNCT ^{8,16} White Non-conductive Trim BNCTB ^{8,16} Black Non-Conductive Trim Baffled WNCTB ^{8,16} White Non-Conductive Trim Baffled

Use with EDM/2DM/DMX dimming option:
Match Housing to Trim Output

HOUSING	DRIVER	VOLTAGE	HOUSING OPTIONS
LF4SL11L 1100 Lumen Module	EDM ¹ Hi-Lume 1% EcoSystem LED Driver	120V 120V 277V 277V	LVE (EDM Only) Lutron Vive Enabled, EcoSystem
LF4SL15L 1500 Lumen Module	2DM ¹ Hi-Lume 1% 2-wire LED Driver (120V only)		
LF4SL20L 2000 Lumen Module	DMX ¹ DMX with RDM dimming to <0.1%		

*EDM, 2DM and DMX also available with EMR and WW



NOTES

- 1 For EDM, 2DM and DMX options, housing output must match trim output
- 2 Not available with 347V
- 3 Not available with EMR, DMX, LV or LVE
- 4 Bar hanger accessory should be selected with CP housing, not included as standard.
- 5 See spec sheet for Central Inverter Compatibility note and web links.
- 6 IP65 and VR can not be chosen together
- 7 Not available with IP65 or VR
- 8 Not available with color/finish options. Semi-diffuse finish only.
- 9 Not available with BNCT, WNCT, BNCTB, or WNCTB
- 10 LV requires standard dimming or DM1
- 11 Must select either 2750T or 2765T Kelvin with DMT driver option
- 12 Not available with LV or LVE
- 13 Must select 2230TD with DMTW driver option
- 14 Not compatible with DMT or DMTW
- 15 Not available with FLU
- 16 Must select CL or DL
- 17 Not available with CP option
- 18 Not available with EDM, 2DM or DMX
- 19 Only available in 90+ CRI

*Please see spec sheet for EMR, CP and NX(W)E lineart