

## 8" Standard Lumen Downlight

LED system in 2700K, 3000K, 3500K, 4000K, 5000K

LED



### FEATURES

- Light Engine utilizes Philips Fortimo LED module and provides controlled color consistency fixture to fixture
- Glare free optical control
- Shipped with pre-installed Light Commercial bar hangers. (See below for optional Commercial grade bar hangers)
- Minimum 50,000 hours at 70% lumen maintenance system life
- ENERGY STAR qualified
- Photometrics tested per IESNA-LM-79-2008 standards
- Non-IC rated. Suitable for wet locations and through wiring (Damp location for EM)
- Luminaires are certified by a National Recognized Testing Lab (NRTL), either UL or CSA.
- Optional SpectraSync™ offers three modes of tunable white solutions and integrates seamlessly into a variety of control systems
- NX Distributed Intelligence™ provides options for standalone and networked integrated sensor with wired or wireless connectivity for NX system deployments

### ORDERING INFORMATION

EXAMPLE: LF8SL-8LFSL15L40K8

<b>LF8SL</b>				<b>8LFSL</b>	<b>15L</b>	<b>40K</b>	<b>8</b>				
<b>HOUSING</b> LF8SL Standard Lumen 0-10V 10% dimming 120V-277V	<b>VOLTAGE OPTIONS</b> Standard 120V-277V 347 347V	<b>TRIM APERTURE</b> 8LFSL Semi-Diffuse Clear Alzak	<b>OUTPUT</b> 11L 1100 Lumen Module 15L 1500 Lumen Module 20L <sup>S</sup> 2000 Lumen Module	<b>CRI</b> 8 80+ CRI 9 90+ CRI	<b>REFLECTOR FINISH OPTIONS</b> Standard Semi-Diffuse SP Specular SS Semi-Specular MFC American Matte™ V Kurt Versen Specular VS Kurt Versen Softglow® VSS Kurt Versen SoftSheen™		<b>REFLECTOR COLOR OPTIONS</b> Standard Clear Alzak CG Champagne Gold Alzak GD Gold Alzak BL Black Alzak WE Wheat Alzak LW Light Wheat Alzak PW Pewter Alzak WH Painted Matte White Reflector and Flange BC Painted Black Reflector and Flange		<b>TRIM OPTIONS</b> WT Painted White Flange Only TRG Trim Ring Gasket		
<b>DRIVER OPTIONS</b> Standard 0-10V 10% Dimming DM1 0-10V dimming at 1% DMT <sup>12,13</sup> SpectraSync™ Tunable White DMTW <sup>14</sup> SpectraSync™ Tunable Dim to Warm	<b>HOUSING OPTIONS</b> EM <sup>2,3</sup> Emergency Battery Pack with integral test switch and indicator light EMR <sup>2</sup> Emergency Battery Pack with remote test switch and indicator light LV <sup>11</sup> Lutron Vive Enabled, 0-10V, 120-277V NXWE <sup>5,6,15</sup> NX Wireless Enabled NXE <sup>5,6,15</sup> NX Enabled Dual SmartPorts		<b>KELVIN</b> 27K 2700 Kelvin 30K 3000 Kelvin 35K 3500 Kelvin 40K 4000 Kelvin 50K 5000 Kelvin 2230TD <sup>10</sup> 2200K-3000K SpectraSync™ Dim to Warm 2750T <sup>10</sup> 2700K-5000K SpectraSync™ Tunable White 2765T <sup>10</sup> 2700K-6500K SpectraSync™ Tunable White		<b>REFLECTOR OPTIONS</b> EM <sup>2,3</sup> Pre-punched reflector for integral switch AM <sup>4,6</sup> Antimicrobial coating on clear Alzak reflector only						

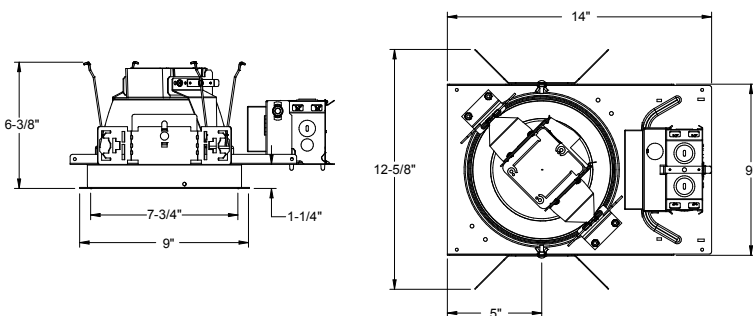
Use with EDM/2DM/DMX dimming option:  
Match Housing to Trim Output

HOUSING	DRIVER	VOLTAGE	HOUSING OPTIONS
LF8SL11L 1100 Lumen Module	EDM <sup>1</sup> Hi-Lume 1% EcoSystem LED Driver	120V 120V 277V 277V	LVE (EDM Only) Lutron Vive Enabled, EcoSystem
LF8SL15L 1500 Lumen Module	2DM <sup>1</sup> Hi-Lume 1% 2-wire LED Driver (120V only)		
LF8SL20L 2000 Lumen Module	DMX <sup>1</sup> DMX with RDM dimming to <0.1%		

\*EDM, 2DM and DMX also available with EMR and WW

### ACCESSORIES

- B24** Set of two(2) 24" bar hangers for T-bar ceilings
- B6** Set of two (2) bar hangers for ceiling joist up to 24" centers
- LF8C8** 8" reflector screw cover
- SCA8D** Sloped Ceiling Adapter (see note on spec sheet)
- LiteGear<sup>9</sup>** Inverter, single phase central lighting, 125VA-250VA
- LPS Series<sup>9</sup>** LitePower micro-inverter, 20VA-55VA
- Signos8** Architectural glass elements. Refer to specification sheets ARCH-SIG-005 and 007



### NOTES

- For EDM, 2DM, DMX and LVE options, housing output must match trim output
  - Not available with 347V
  - EM options required on both housing and trim
  - Clear Alzak standard. Consult factory for other colors.
  - Not available with EMR, DMX, LV or LVE
  - Not available with EM
  - Not available with DMX, LV or LVE
  - Not compatible with DMT or DMTW
  - See spec sheet for Central Inverter Compatibility note and web links.
  - Only available in 90+ CRI
  - LV requires standard dimming or DM1
  - Must select either 2750T or 2765T Kelvin with DMT driver option
  - Not available with LV or LVE
  - Must select 2230TD with DMTW driver option
  - Not available with EDM, 2DM or DMX
- \*Please see spec sheet for EMR and NX(W)E lineart