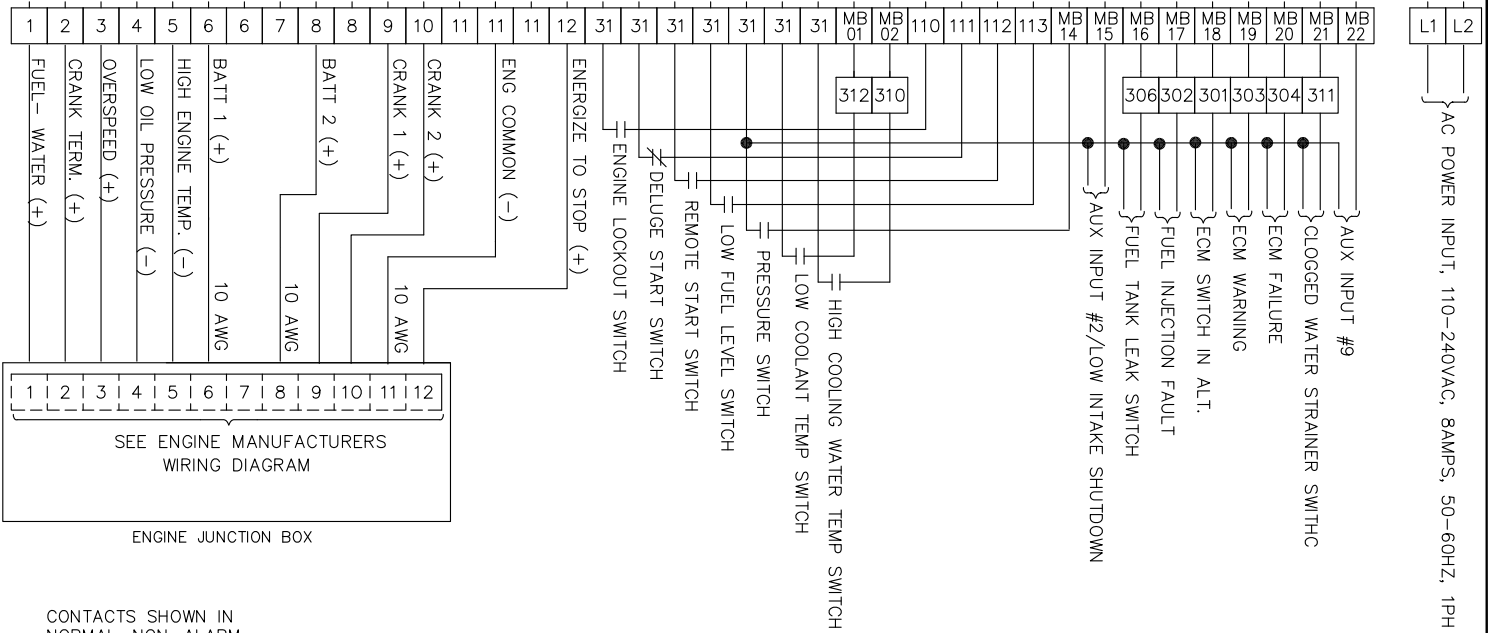
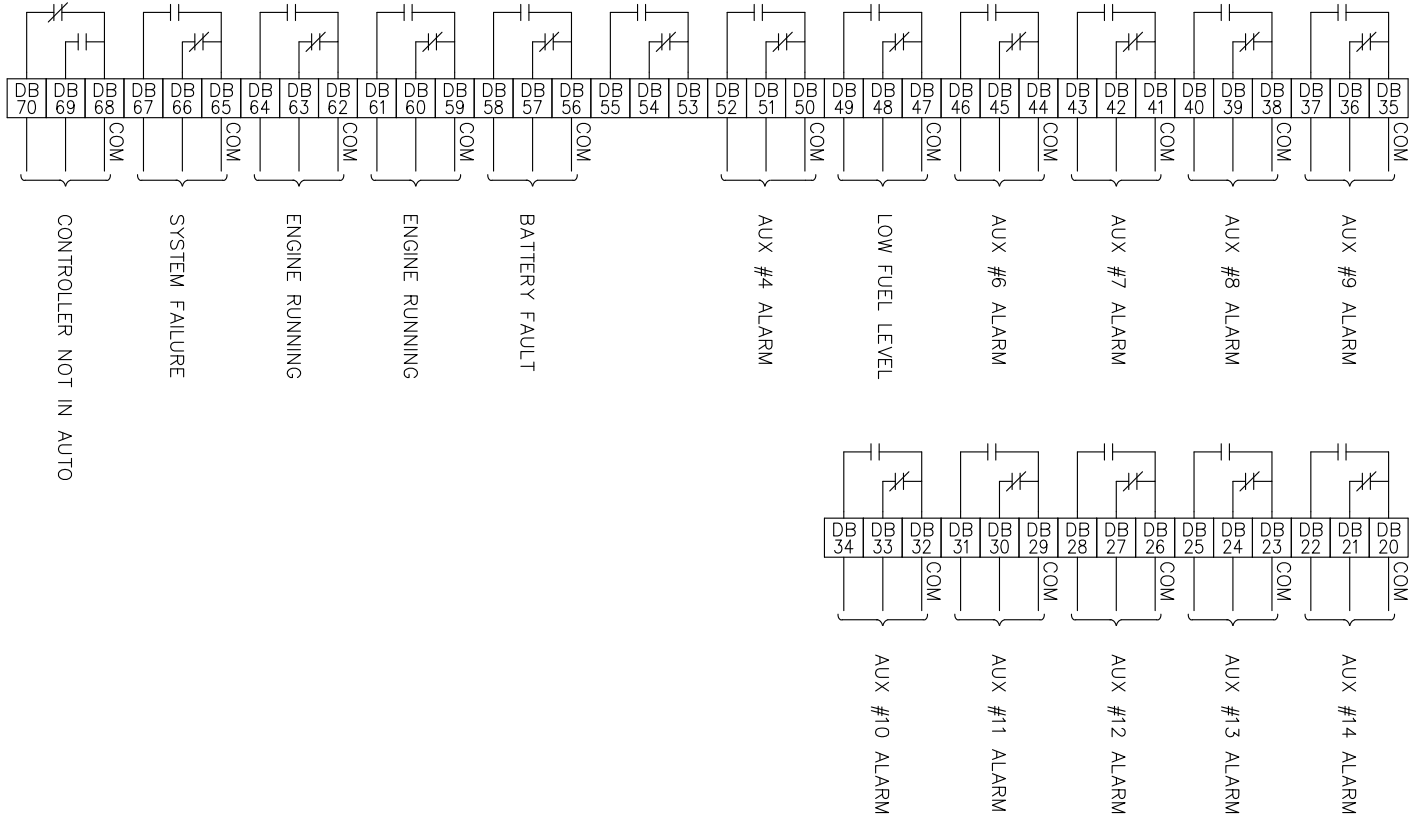


(1T)
FIELD WIRING
TERMINALS



CONTACTS SHOWN IN
NORMAL, NON-ALARM
CONDITION (TYP.)



NOTES:

1. ALL INCOMING FIELD WIRING TO BE STRANDED COPPER AND SIZED 14 AWG. MIN. EXCEPT AS NOTED.
2. ALL DRY CONTACTS SUPPLIED BY METRON ARE RATED 10 AMPS AT 28 VDC/125 VAC.
3. TERMINAL 12 USED ON CATERPILLAR ENGINES ONLY.
4. TERMINAL 1 NOT USED ON CATERPILLAR ENGINES.
5. NOTE: IT IS CRITICAL THAT ALL LEADS FROM THE BATTERY CHARGER TO THE BATTERY BE TIGHT AND FREE OF CORROSION. LOOSE TERMINALS OR CORRODED TERMINALS WILL RESULT IN A BATTERY CHARGER FAULT OR UNRELIABLE CHARGER OPERATION. TO ENSURE RECHARGE TIME IN 24 HOURS, WIRE LENGTHS SHOULD BE AS SHORT AS POSSIBLE. IN THE CASE OF WIRE LENGTHS FROM THE CONTROLLER TO THE BATTERIES AND BACK ARE IN EXCESS OF 25 FT, LARGER WIRE THAN 10 AWG MAY BE REQUIRED.

DB ## - DB = FD4 DAUGHTERBOARD I/O TERMINAL
MB ## - MB = FD4 MOTHERBOARD I/O TERMINAL

DRAWN	RA	01-13-04	METRON A Division of Hubbell Industrial Controls, Inc. 4301 Cheyenne Drive, Archdale, NC 27263 USA
CHECK	E.F.	2-06-04	
APPD	M.H.	2-06-04	
EXTERNAL HOOKUP DIAGRAM MODEL FD4, NEGATIVE GROUND ENGINE DRIVEN FIRE PUMP CONTROLLER			OPTIONS: J CH33626K SCALE N.T.S. SHEET 1 OF 1