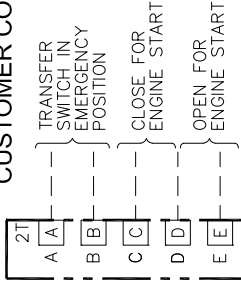


TRANSFER SWITCH CUSTOMER CONNECTIONS



B

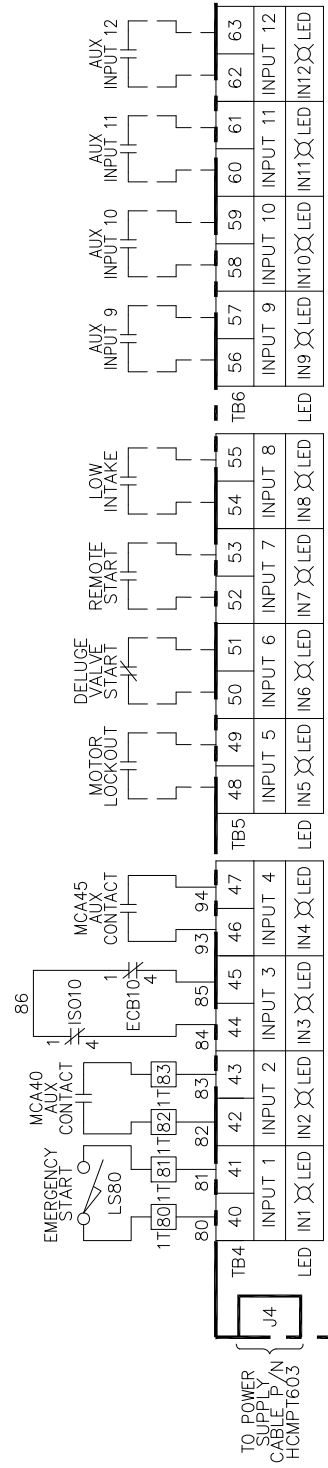
TO POWER SUPPLY CABLE P/N HCMP1603

TO CPU/HMI CABLE P/N HCMP1601

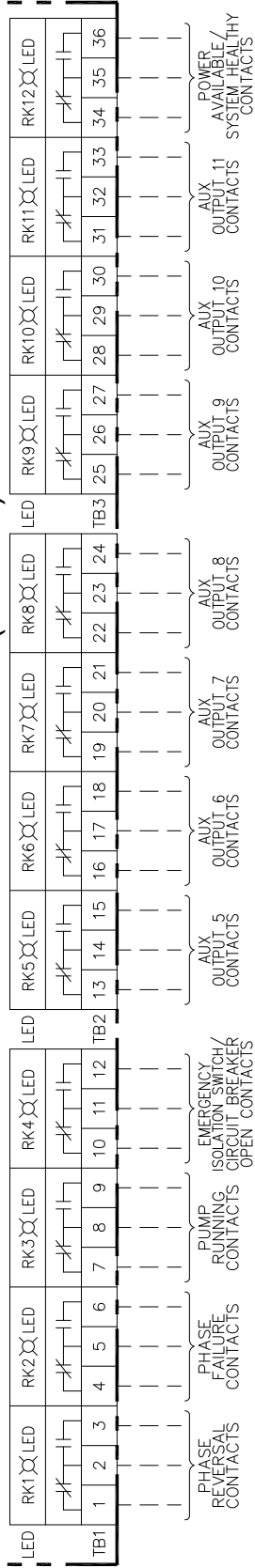
TO POWER MONITOR BOARD CABLE P/N HCMP1611

12 CHANNEL IO P/N HC90776002

INPUT CONNECTIONS (NOTE 2)



OUTPUT CONNECTIONS (NOTE 3)



A



Hubbell Industrial Controls, Inc.
4301 Cheyenne Drive, Arctdale, NC 27263 USA

OPTIONS:
HCMP16400TS

SCALE NTS SHEET 1 OF 2

REV/DATE/BY	DESCRIPTION	DRAWN	DRAWN NO.
A	05/15/17 CHANGED BOARD PART NOS; ELIMINATED POWER COMMS HUB	CHECKED	11-18-15
		APPD APPROVED	11-18-15

FIELD CONNECTIONS, MODEL MPT400
PRIMARY RESISTANCE START
ELECTRIC FIRE PUMP CONTROLLER
WITH TRANSFER SWITCH

- NOTES:
- CONTACTS SHOWN IN NO POWER CONDITION, PUMP OFF.
 - INPUT CONNECTIONS REQUIRE DRY CONTACTS.
 - OUTPUT CONNECTIONS ARE CONTACTS RATED FOR PILOT DUTY ONLY.
10 AMPS AT 250 VOLTS-AC MAXIMUM LOAD.
4 AMPS AT 12 VOLTS-DC MAXIMUM LOAD.
 - EXTERNAL CONTROL WIRE #16 GA. AWG MAXIMUM.
 - CUSTOMER CONNECTIONS ARE SHOWN BY MEANS OF DASH LINES.