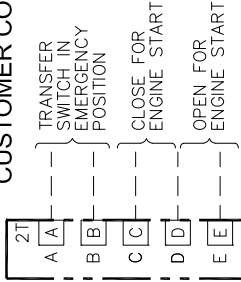


TRANSFER SWITCH CUSTOMER CONNECTIONS



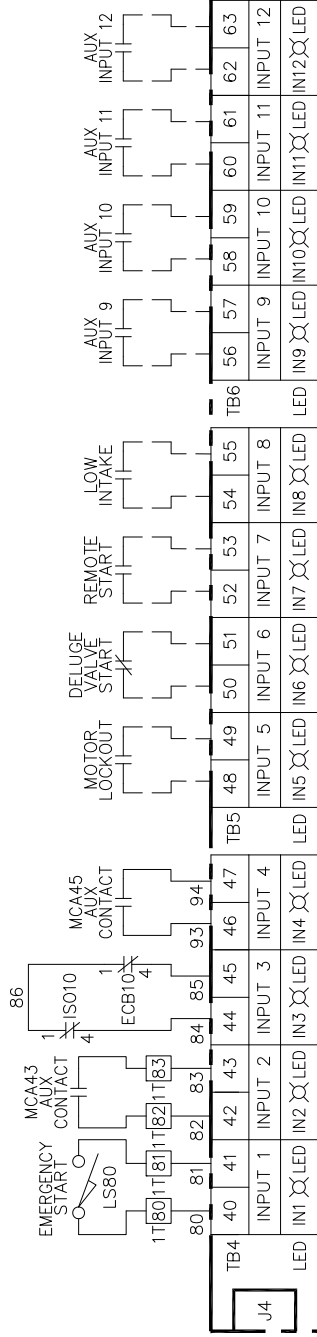
TO POWER SUPPLY CABLE P/N HCMP1603

TO CPU/HMI CABLE P/N HCMP1601

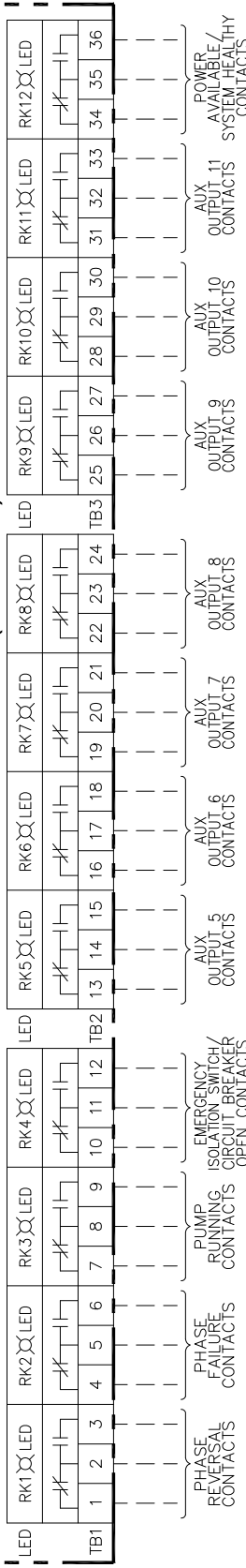
12 CHANNEL IO P/N HC90776002

TO POWER MONITOR BOARD CABLE P/N HCMP1611

INPUT CONNECTIONS (NOTE 2)



OUTPUT CONNECTIONS (NOTE 3)



NOTES:

- CONTACTS SHOWN IN NO POWER CONDITION, PUMP OFF.
- INPUT CONNECTIONS REQUIRE DRY CONTACTS.
- OUTPUT CONNECTIONS ARE CONTACTS RATED FOR PILOT DUTY ONLY.
  - 10 AMPS AT 250 VOLTS-AC MAXIMUM LOAD.
  - 4 AMPS AT 12 VOLTS-DC MAXIMUM LOAD.
- EXTERNAL CONTROL WIRE #16 GA. AWG MAXIMUM.
- CUSTOMER CONNECTIONS ARE SHOWN BY MEANS OF DASH LINES.



REV/DATE/BY	DESCRIPTION	DRAWN	11-18-15
A	05/15/17 CHANGED BOARD PART NOS; ELIMINATED POWER COMMS HUB	CHECKED	11-18-15
	DAMA	APPD APPROVED	11-18-15
FIELD CONNECTIONS, MODEL MPT450 AUTO TRANSFORMER CLOSED TRANSITION START ELECTRIC FIRE PUMP CONTROLLER WITH TRANSFER SWITCH			
OPTIONS: HCMP1F450TS		SCALE	NTS
			SHEET 1 OF 2

**METRON**  
 A Division of  
 Hubbell Industrial Controls, Inc.  
 4301 Cheyenne Drive, Arctdale, NC 27263 USA