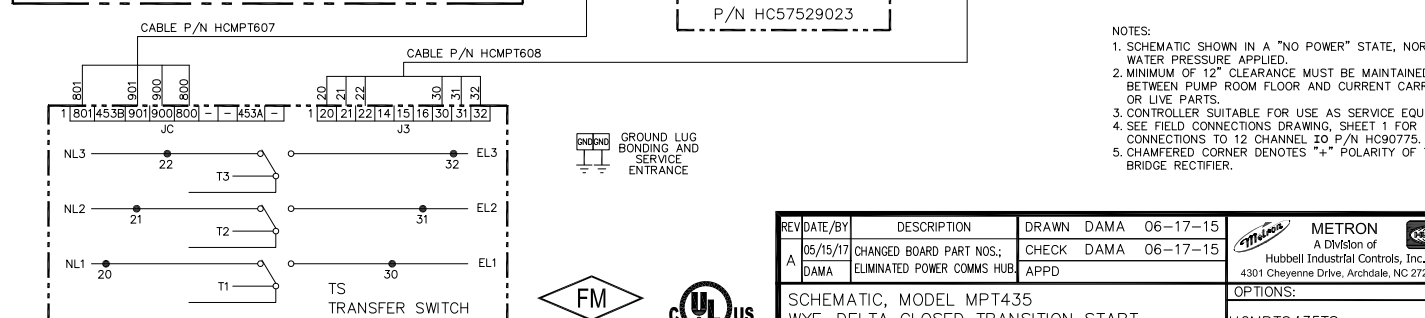
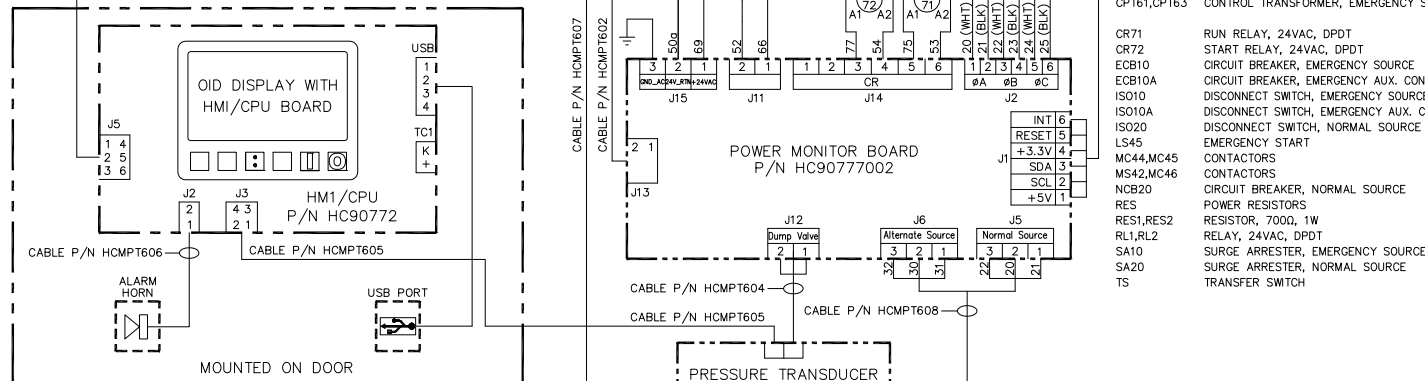
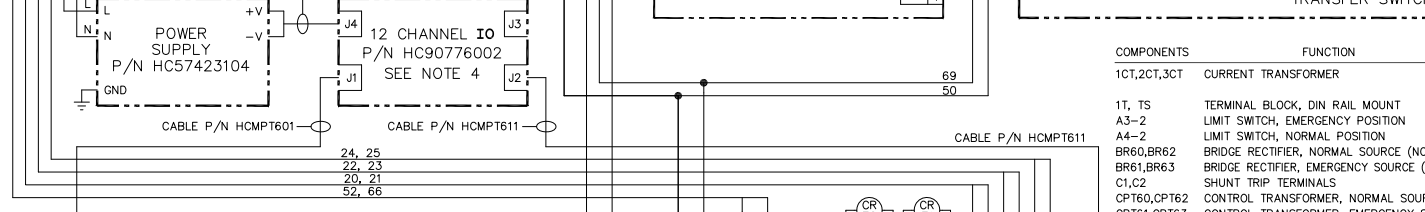
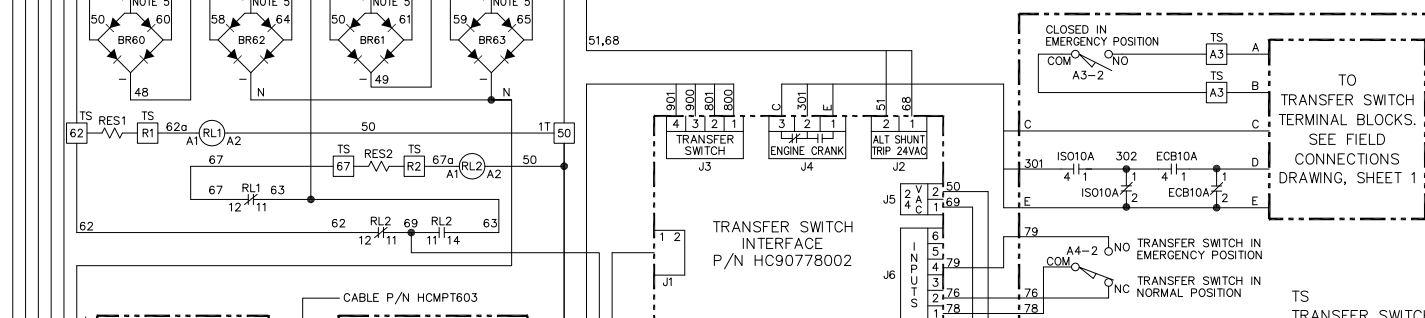
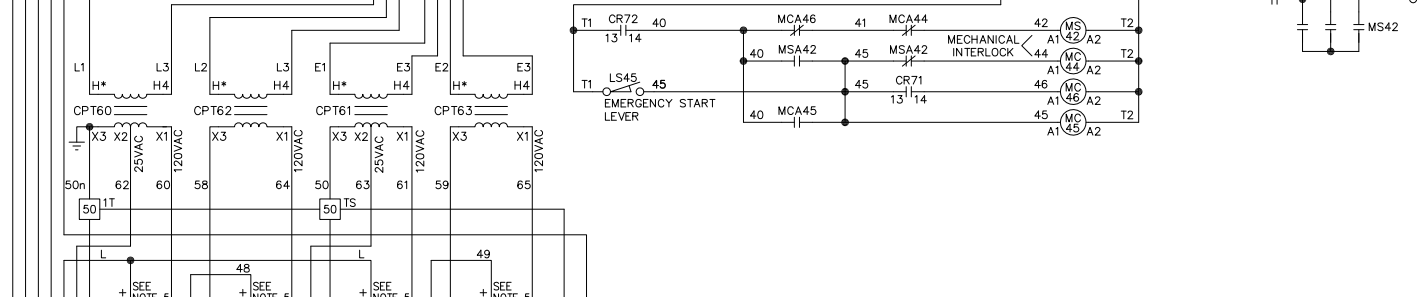
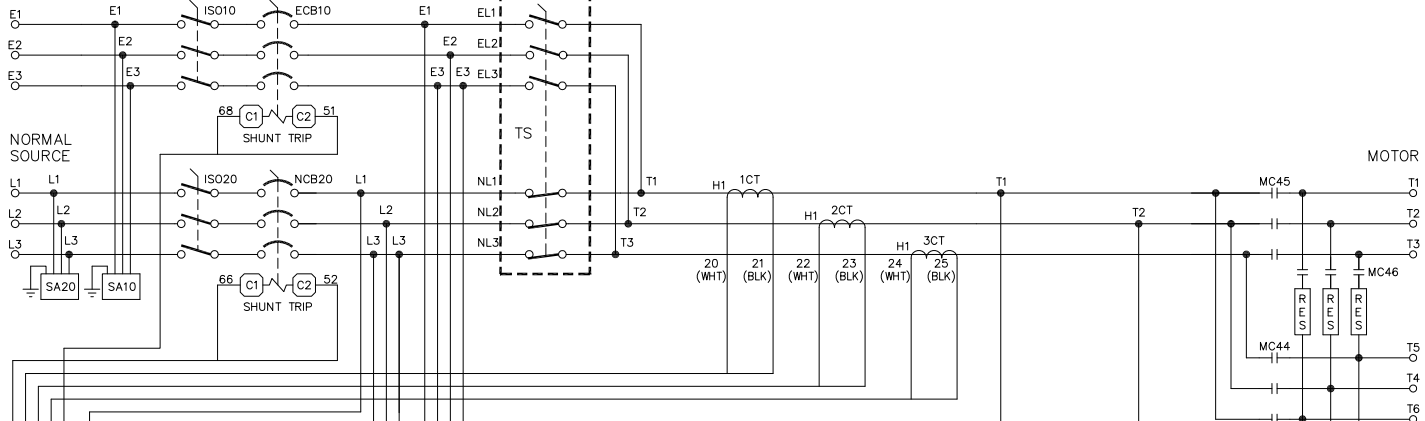


EMERGENCY SOURCE



COMPONENTS	FUNCTION
1CT,2CT,3CT	CURRENT TRANSFORMER
1T, TS	TERMINAL BLOCK, DIN RAIL MOUNT
A3-2	LIMIT SWITCH, EMERGENCY POSITION
A4-2	LIMIT SWITCH, NORMAL POSITION
BR60,BR62	BRIDGE RECTIFIER, NORMAL SOURCE (NOTE 5)
BR61,BR63	BRIDGE RECTIFIER, EMERGENCY SOURCE (NOTE 5)
C1,C2	SHUNT TRIP TERMINALS
CPT60,CPT62	CONTROL TRANSFORMER, NORMAL SOURCE
CPT61,CPT63	CONTROL TRANSFORMER, EMERGENCY SOURCE
CR71	RUN RELAY, 24VAC, DPDT
CR72	START RELAY, 24VAC, DPDT
ECB10	CIRCUIT BREAKER, EMERGENCY SOURCE
ECB10A	CIRCUIT BREAKER, EMERGENCY AUX. CONTACT
ISO10	DISCONNECT SWITCH, EMERGENCY SOURCE
ISO10A	DISCONNECT SWITCH, EMERGENCY AUX. CONTACT
ISO20	DISCONNECT SWITCH, NORMAL SOURCE
LS45	EMERGENCY START
MC44,MC45	CONTACTORS
MS42,MC46	CONTACTORS
NCB20	CIRCUIT BREAKER, NORMAL SOURCE
RES	POWER RESISTORS
RES1,RES2	RESISTOR, 700Ω, 1W
RL1,RL2	RELAY, 24VAC, DPDT
SA10	SURGE ARRESTER, EMERGENCY SOURCE
SA20	SURGE ARRESTER, NORMAL SOURCE
TS	TRANSFER SWITCH

- NOTES:
1. SCHEMATIC SHOWN IN A "NO POWER" STATE, NORMAL WATER PRESSURE APPLIED.
 2. MINIMUM OF 12" CLEARANCE MUST BE MAINTAINED BETWEEN PUMP ROOM FLOOR AND CURRENT CARRYING OR LIVE PARTS.
 3. CONTROLLER SUITABLE FOR USE AS SERVICE EQUIPMENT.
 4. SEE FIELD CONNECTIONS DRAWING, SHEET 1 FOR CONNECTIONS TO 12 CHANNEL IO P/N HC90775.
 5. CHAMFERED CORNER DENOTES "+" POLARITY OF THE BRIDGE RECTIFIER.



REV	DATE	BY	DESCRIPTION	DRAWN	DAMA	06-17-15
A	05/15/17		CHANGED BOARD PART NOS.; ELIMINATED POWER COMMS HUB.	CHECK	DAMA	06-17-15
			SCHEMATIC, MODEL MPT435 WYE-DELTA CLOSED TRANSITION START ELECTRIC FIRE PUMP CONTROLLER WITH TRANSFER SWITCH	APPD		

METRON
 A Division of
 Hubbell Industrial Controls, Inc.
 4301 Cheyenne Drive, Archdale, NC 27263 USA

OPTIONS:
HCMP5435TS

SCALE NTS SHEET 1 OF 1