

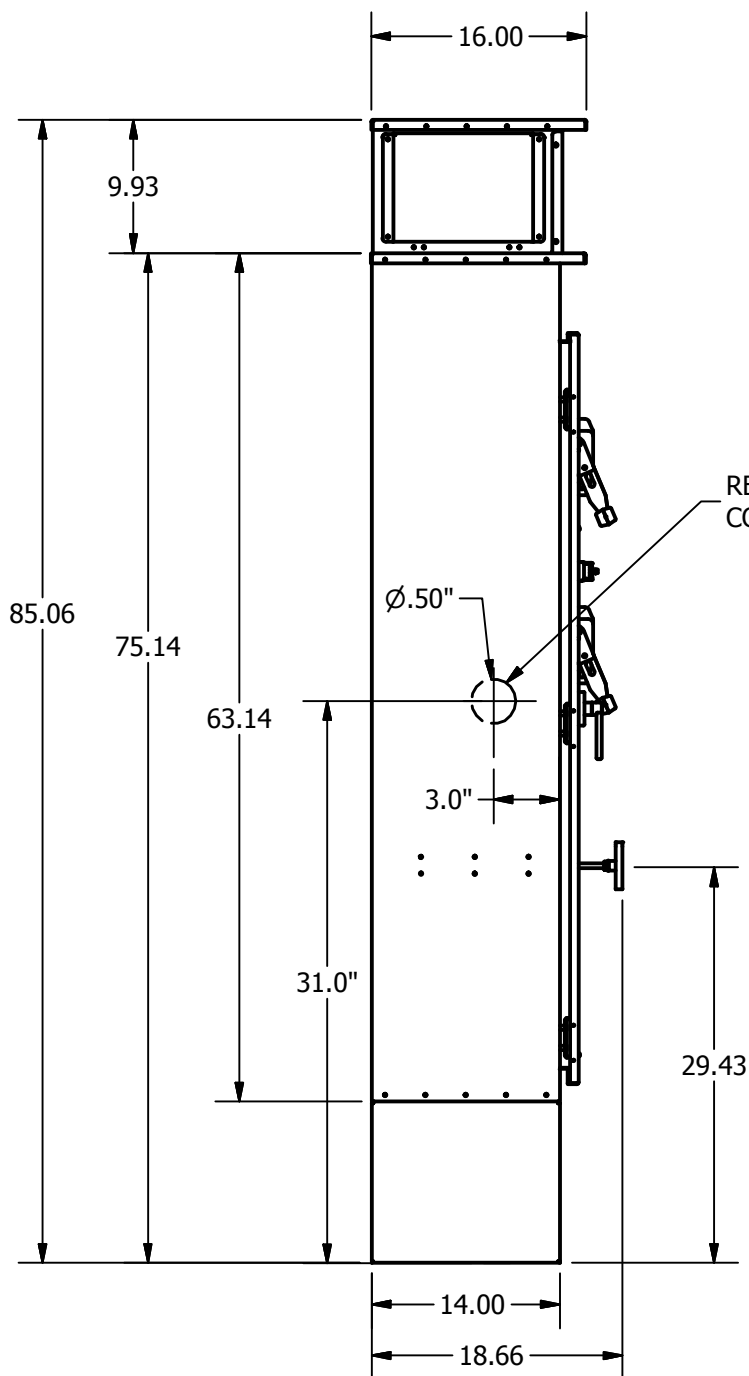


DIMENSIONS & DATA

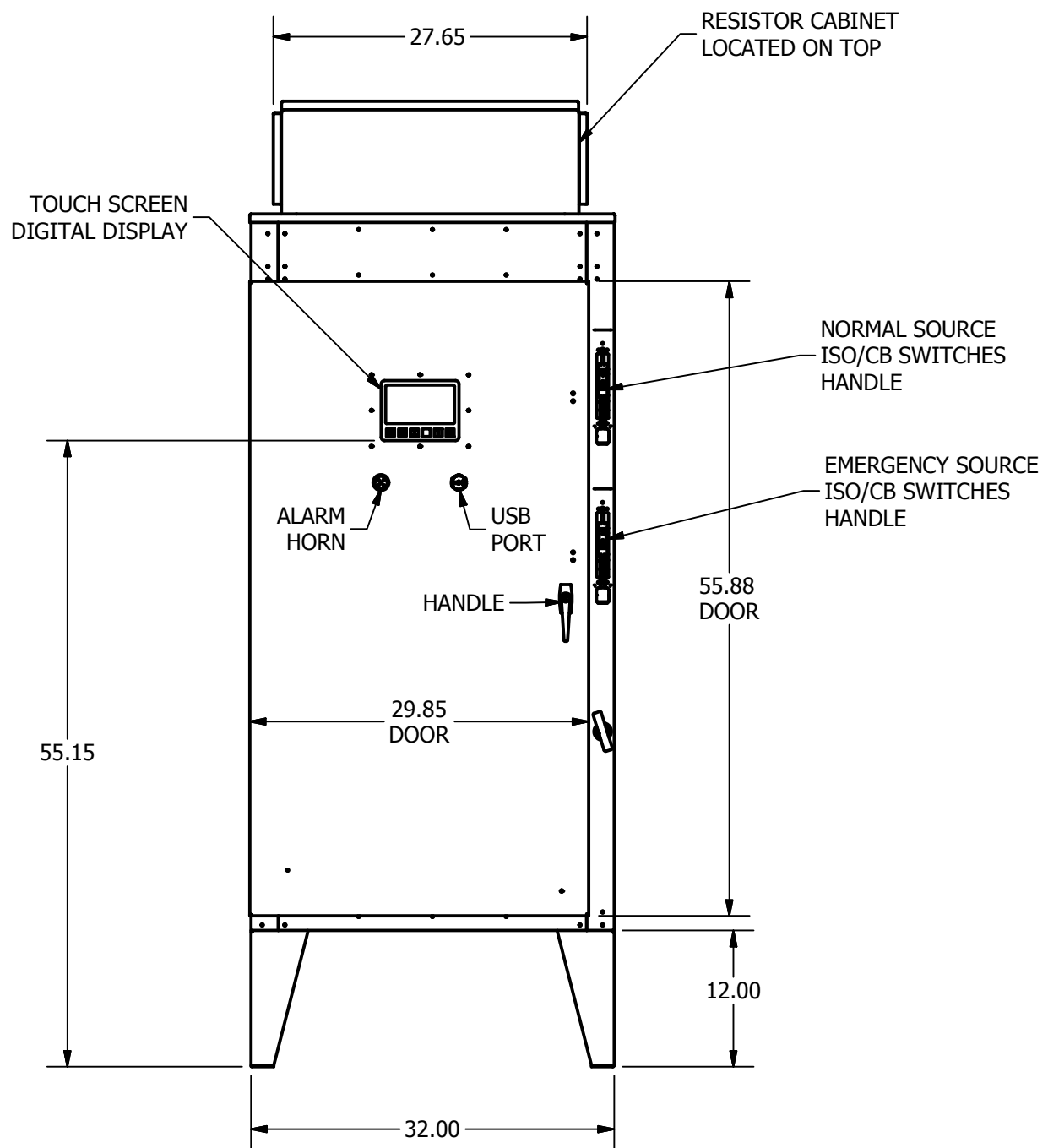
ELECTRIC FIRE PUMP CONTROLLER WITH MTS



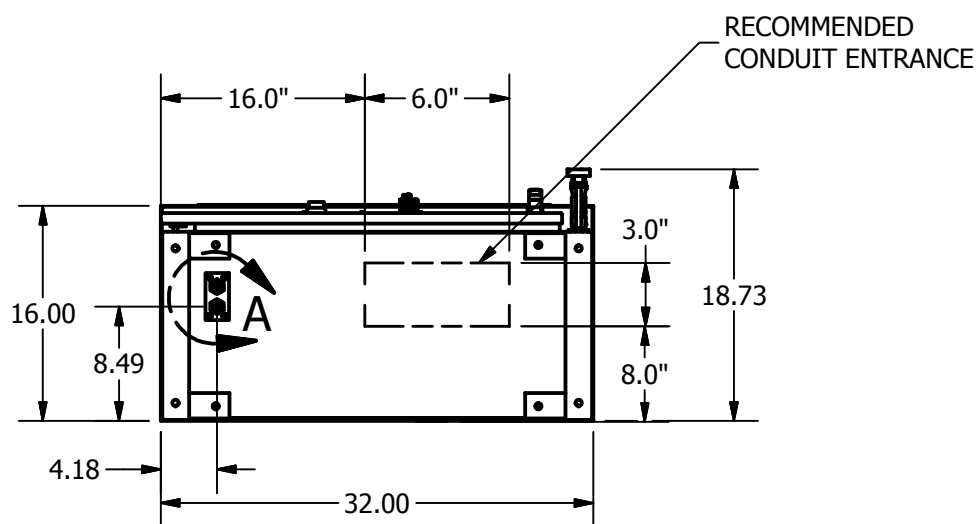
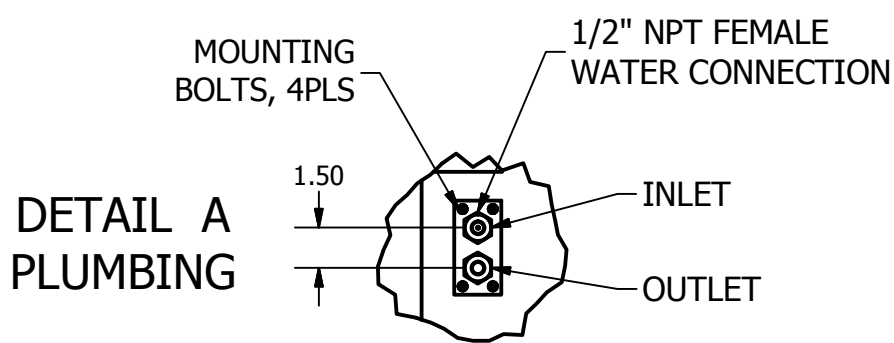
MPT435



SIDE VIEW



FRONT VIEW



BOTTOM VIEW

THREE PHASE		ENCLOSURE TYPES
HP	VAC	
5-60	200-208	TYPE 3R CRS (STD) SHOWN
5-60	220-240	TYPE 4 CRS
5-100	380-415	TYPE 4X CRS
5-150	440-480	TYPE 304 SS (PAINTED)
		TYPE 304 SS UNPAINTED
		TYPE 316 SS PAINTED
		TYPE 316 SS UNPAINTED

SELECTION TABLE (CHOOSE FROM TABLES ON LEFT)			
CONTROLLER TYPE	HP	VOLTAGE	ENCLOSURE TYPE
MPT435TS			

- NOTES:**
- ENCLOSURE MADE FROM 12GA. STEEL WITH HAMMER RED FINISH.
 - ENTER CABLE(S) FROM BOTTOM
 - PROTECT INTERNAL EQUIPMENT FROM DRILLING CHIPS
 - DIMENSIONS SUBJECT TO CHANGE WITHOUT NOTICE. ALWAYS CONSULT FACTORY TO CONFIRM CURRENT INFORMATION.
 - TYPE 3R SHOWN.
 - ALL DIMENSIONS IN INCHES. ALL DIMENSIONS THE SAME FOR 3R, 12, 4 AND 4X ENCLOSURE TYPES.

CONTROLLER WITH MTS (METRON TRANSFER SWITCH)		RATING:	
DATE: 5/15/2015	DRAWN BY: S. JUDD	REV.	
METRON Division of - Hubbell ICD, Inc. 4301 Cheyenne Drive Archdale, N.C. 27263		DRAWING NO. HCMP435TS Data Outline2	