

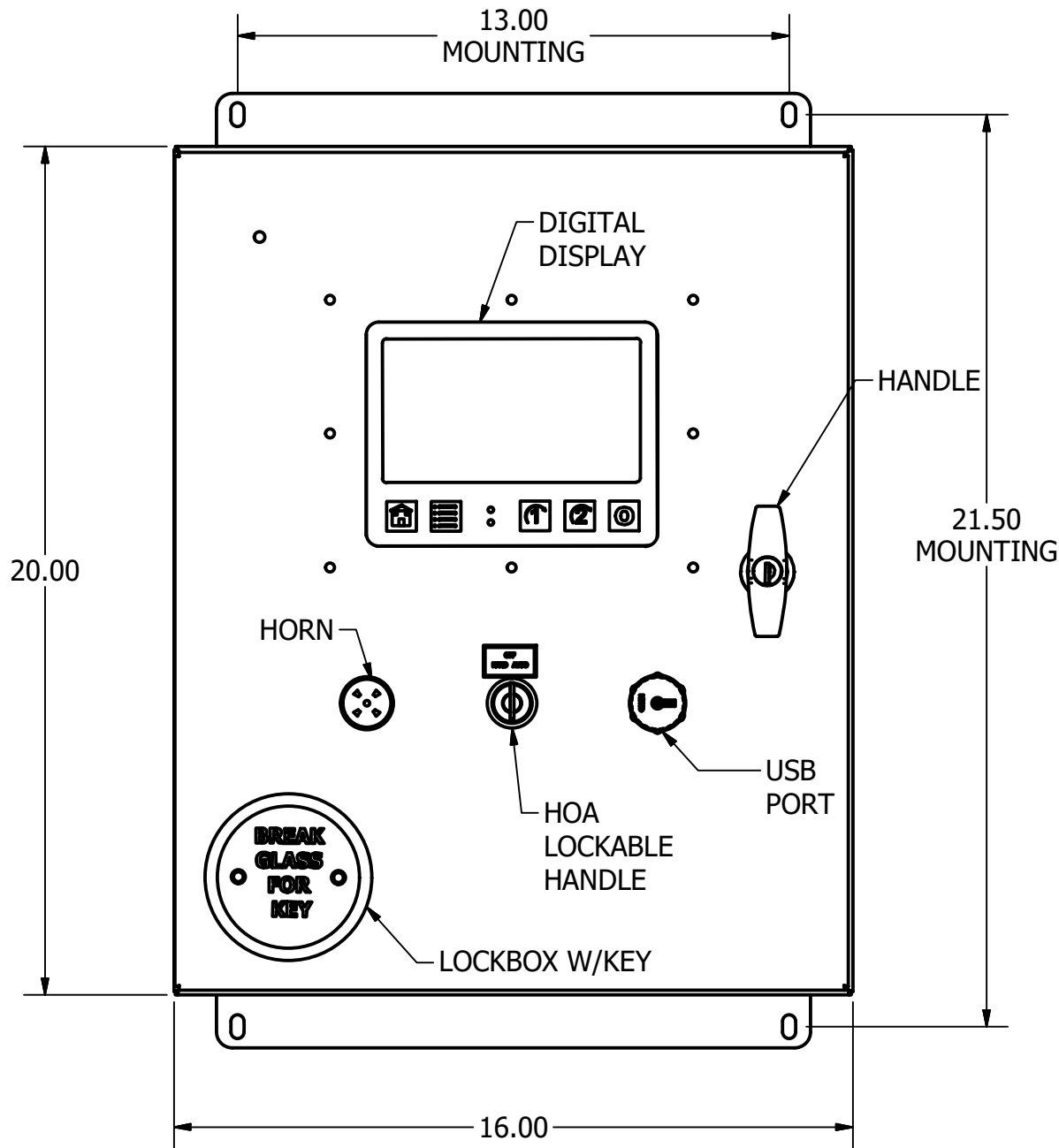


DIMENSIONS & DATA

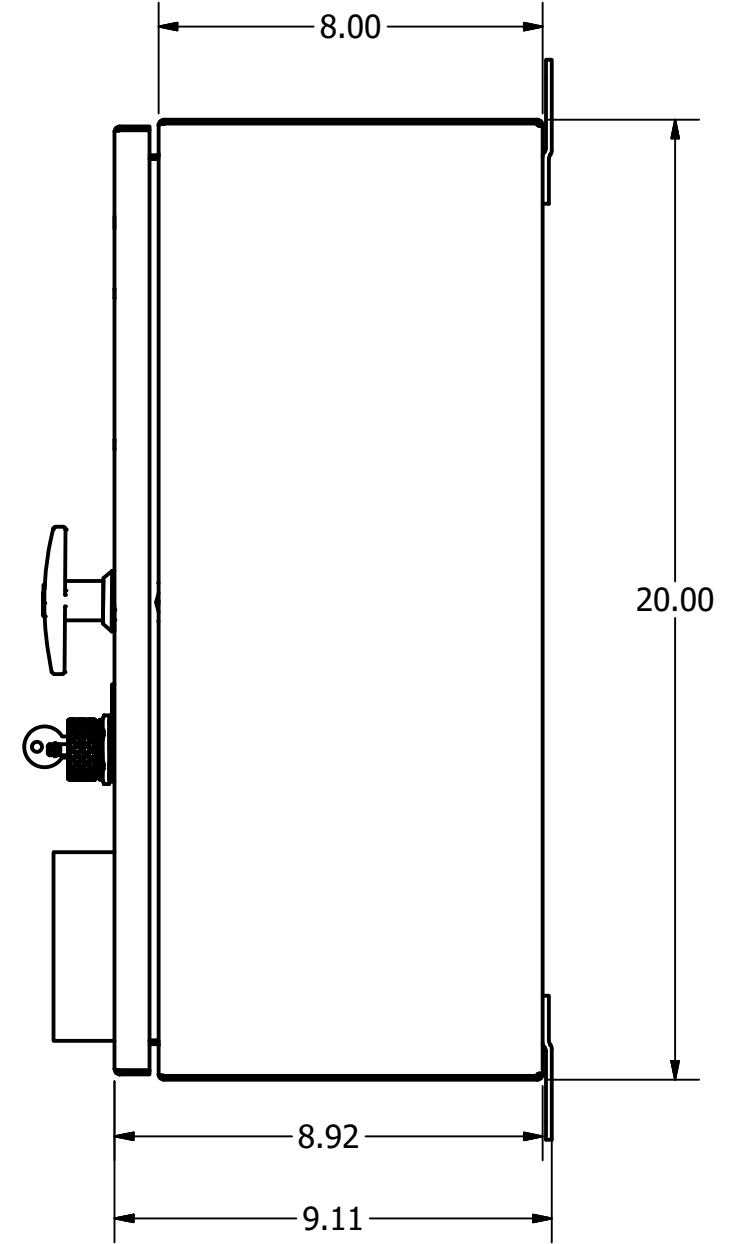
DIESEL FIRE PUMP CONTROLLER



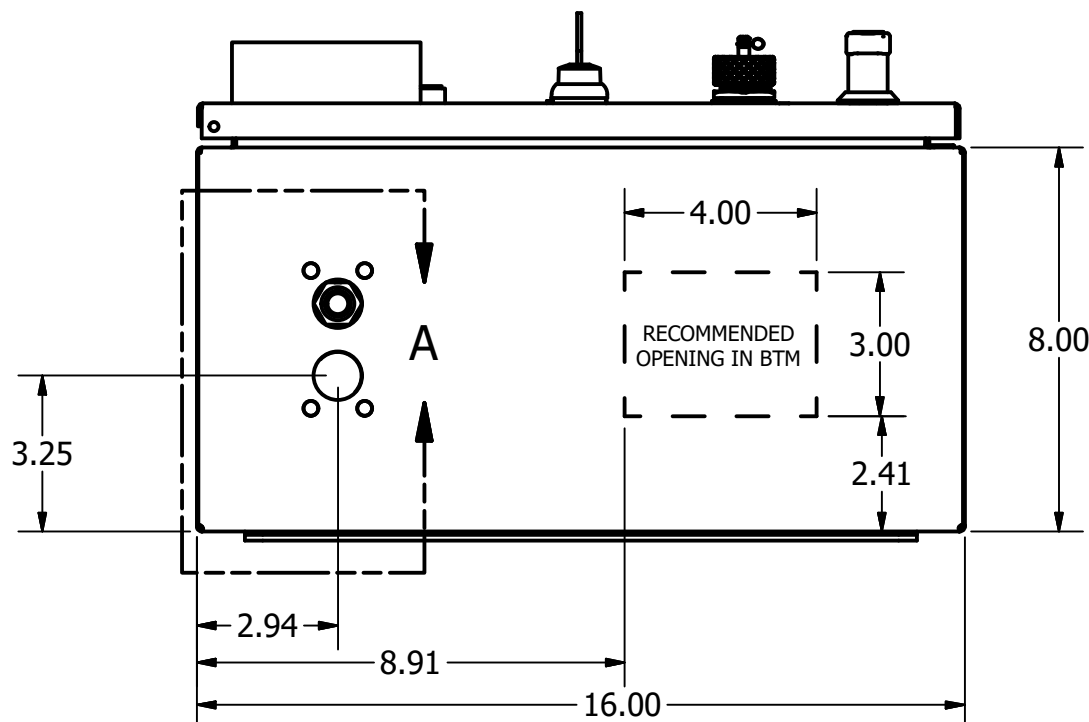
FD5



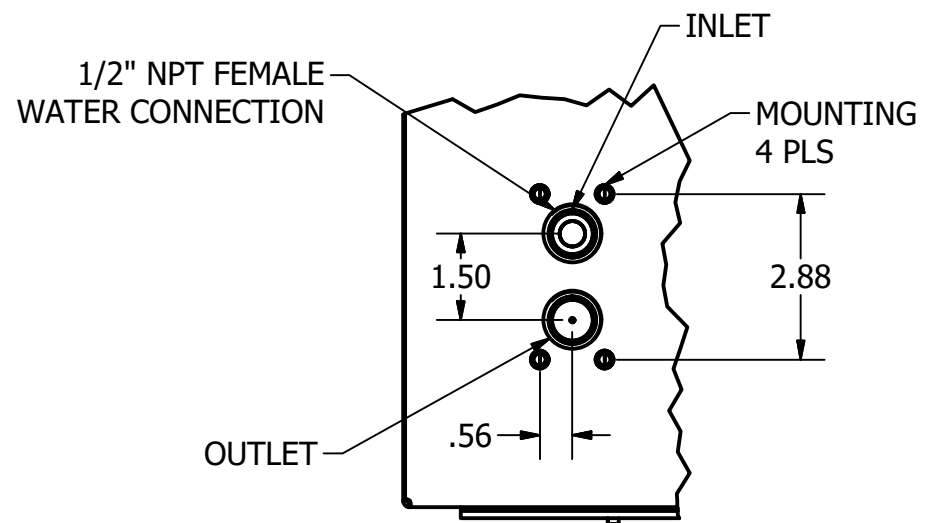
FRONT VIEW



SIDE VIEW



BOTTOM VIEW



**DETAIL A
STANDARD PLUMBING**

ENCLOSURE SELECTION TABLE

ENCLOSURE TYPE	CHECK IF WANTED	LIST ANY OPTIONS (REFER TO BROCHURE)
NEMA 3R CRS		
NEMA 4 CRS - (STANDARD)		
NEMA 4X CRS		
NEMA 4X 304 SS UNPAINTED		
NEMA 4X 304 SS PAINTED		

STANDARD NEMA 4 CRS

DATE: 2/2019 DRWN BY: S.JUDD



METRON
Division of - Hubbell ICD, Inc.
4301 Cheyenne Drive Archdale, N.C. 27263

DWG. NO.
HCFD5DS-010

NOTES:

- ENCLOSURE MADE FROM 14GA. STEEL WITH RED POLYESTER POWDER FINISH.
- ENTER EITHER TOP OR BOTTOM (PREFERRED)
- PROTECT INTERNAL EQUIPMENT FROM DRILLING CHIPS
- DIMENSIONS SUBJECT TO CHANGE WITHOUT NOTICE.
- ALWAYS CONSULT FACTORY TO CONFIRM CURRENT INFORMATION.
- ALL DIMENSIONS ARE IN INCHES.