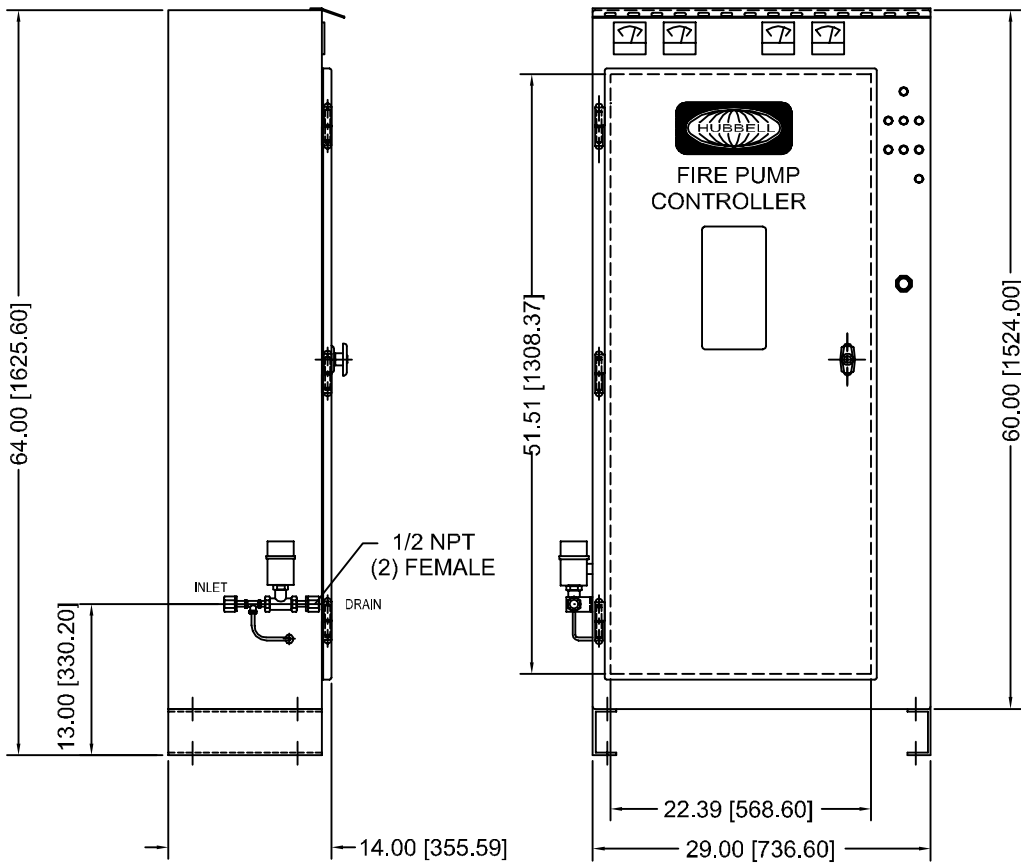
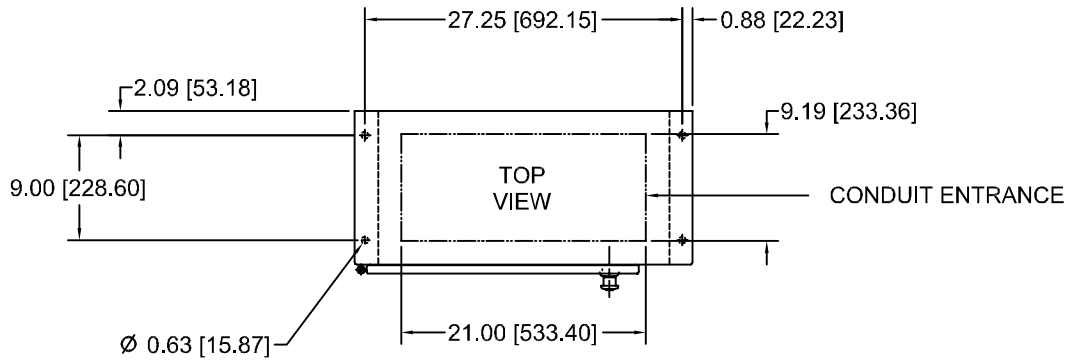


Dimensions and Data
 Diesel Engine Fire Pump Controller

LX-2000



NOTES:

- ENCLOSURE MADE FROM 11 GA. STEEL
- FINISH: THERMAL RED LACQUER
- NO KNOCKOUTS
- ENTER EITHER TOP OR BOTTOM
- PROTECT INTERNAL EQUIPMENT FROM DRILLING CHIPS
- FLOOR MOUNTING
- "[]" INDICATES METRIC DIMENSIONS

Controlled Document
 Notify Factory Mutual of all revisions to this drawing

NEMA RATING	
NEMA 2 (STD.)	
NEMA 12	
NEMA 3R	

SHIPPING WGT.
350 LBS.



HUBBELL / INDUSTRIAL CONTROLS, INC.
 50 Edwards Street
 Madison, Ohio 44057

DATE: 5/11/00	REV. E
DRAWING NUMBER: PC-90112-000	