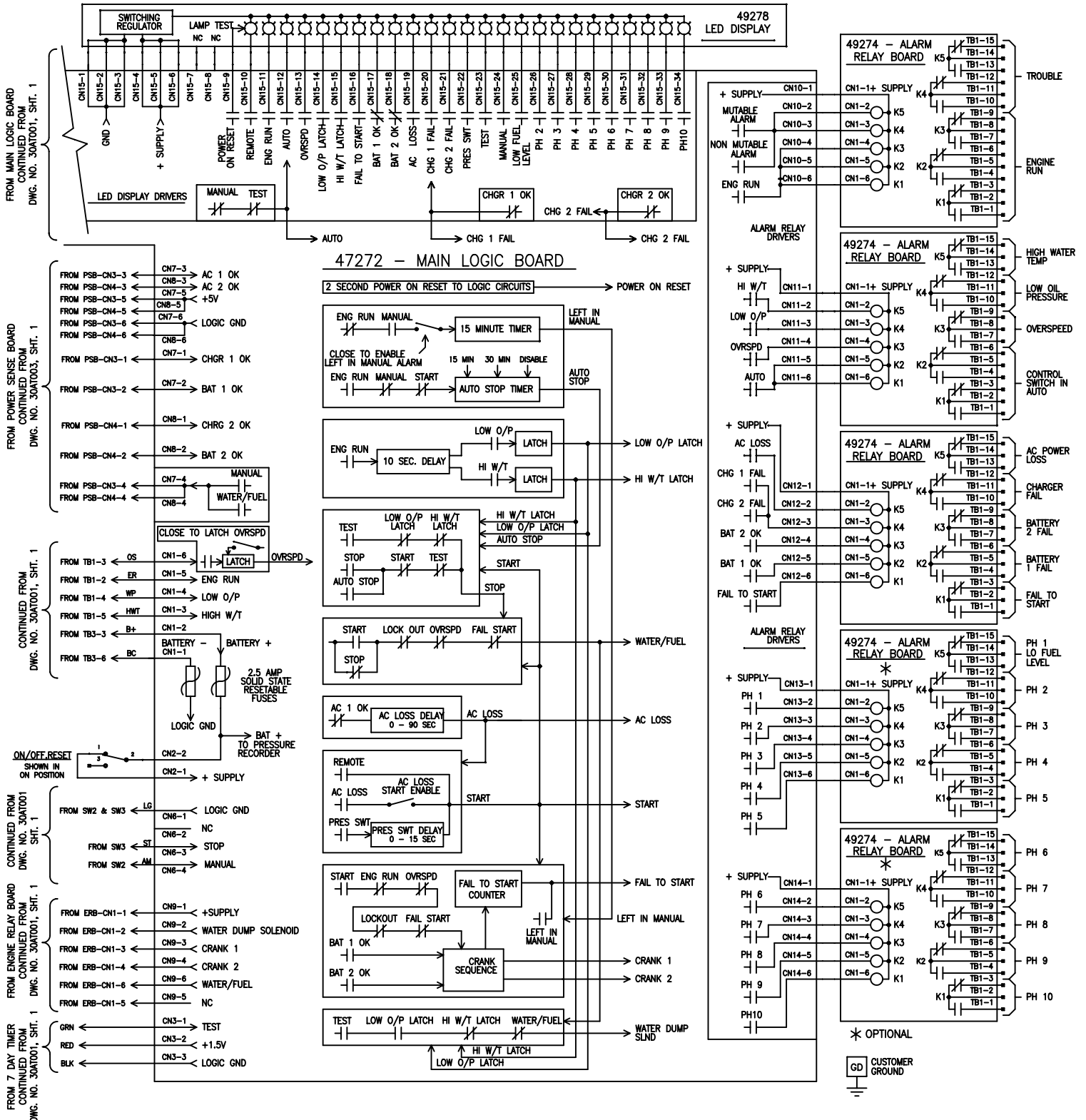




Sheet 2 of 2

STANDARD SCHEMATIC DIAGRAM DIESEL ENGINE FIRE PUMP CONTROLLER 12 OR 24 VOLTS DC 120 VOLTS AC INPUT

LX-3000



File Name: 30AT0012.dwg



Hubbell Industrial Controls, Inc.
4301 Cheyenne Drive, Archdale, N.C. 27263

DATE: 08/04/2003	REV. B
DRAWING NUMBER: 30AT001	