

LINE TERMINALS - WIRE CAPACITY AND QUANTITY (60/75 °C CU) 1

MAXIMUM MOTOR HORSEPOWER		WIRE SIZE PER PHASE		TIGHTENING TORQUE (in-lb)					
200-	220-	380-	440-	550-	100-200K AIC	wire size	torque	wire size	torque
208	240	415	480	600		#12-#10	35	#8-#3	100
40	50	75	100	125	(1)#12AWG-#3/OAWG	#12-#10	35	#8-#3	100
75	75	150	150	200	(1)#8AWG-350 kcmil	#8-#4	150	#3-#1	200
200	200	350	400	400	(2)#2/OAWG-400 kcmil* or (1)#6AWG-600 kcmil*			#8-#3	275
								#2-600	375

MOTOR TERMINALS-WIRE CAPACITY AND QUANTITY (60/75 °C CU) 1

MAXIMUM MOTOR HORSEPOWER		WIRE SIZE PER PHASE		TIGHTENING TORQUE (in-lb)	
200-	220-	380-	440-	550-	
208	240	415	480	600	
25	30	50	60	75	(1)#10AWG-#1/OAWG
60	60	125	150	150	(1)#8AWG-#3/OAWG *
75	100	150	200	250	(1)#1/OAWG-500 kcmil*
150	150	300	400	400	(2)#2/OAWG-500 kcmil*

1 For correct field wire sizing, refer to the National Electrical Code, NFPA-70.
* Denotes 75 °C wire only.

2 When required by the authority having jurisdiction.

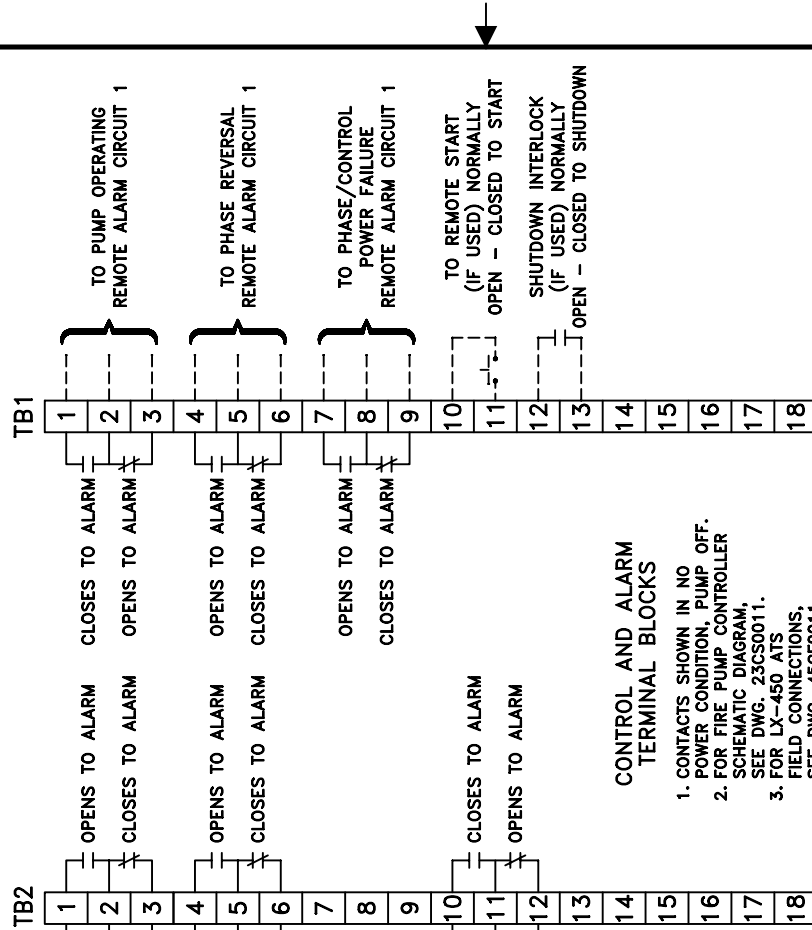
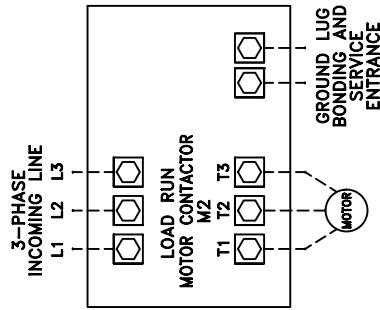
NOTES

- Incoming line terminals are provided to accommodate wire sizes at 125% of motor full load current per NFPA 70, Article 6-3.4, and NFPA 70 Tables 430-150 and 310-16. Copper (CU) wire is recommended.
- Controller is phase rotation sensitive. Incoming lines L1, L2 and L3 must be in ABC, right hand rotation sequence for proper operation of the phase monitor.
- Motor connections shown are typical. Since motor connections vary widely, refer to the motor manufacturer's connection diagram for specific wiring arrangement.

WIRE SIZE	2
SERVICE ENTRANCE GROUND LUG	
(2)#6AWG-350 kcmil	
wire size	torque (in-lb)
#6 -#4	110
#3 -#1	150
1/0-2/0	180
3/0-4/0	250
250 to 350 kcmil	325

PRESSURE SYSTEM CONNECTION 1/4" NPT

NOTE: CONTACTS RATED FOR PILOT DUTY ONLY. 240 VAC, 5A MAXIMUM LOAD. EXTERNAL CONTROL WIRE #14 AWG MINIMUM RECOMMENDED.



CONTROL AND ALARM TERMINAL BLOCKS

- CONTACTS SHOWN IN NO POWER CONDITION, PUMP OFF. SCHEMATIC DIAGRAM, SEE DWG. 23CS0011.
- FOR FIRE PUMP CONTROLLER. SEE DWG. 23CS0011.
- FOR LX-450 ATS FIELD CONNECTIONS, SEE DWG. 45CF0011.



STANDARD LXi-2300 FIELD CONNECTIONS
AUTO-TRANSFORMER
FULL SERVICE FPC/ATS COMBO

M/L NO.
MOTION:
REF.

CADD NO. 23CF0011 DATE 10/14/02 DR. TR CK. DAMA APPR.



Hubbell Industrial Controls, Inc.
4301 Cheyenne Drive, Archdale, N.C. 27283

DRG. NO. A-23CF0011
1 OF 1

Rev.	DATE	BY	DESCRIPTION
E			
D	11/10/05	DAMA	UPDATED DWG. PER ECR #A05-00035.
C	10/22/04	TR	UPDATED TB2 CONNECTIONS.
B	03/27/03	TR	REVISED J105 CONNECTIONS.
A	10/28/02	TR	ADDED TB2 AND J105 CONNECTIONS.