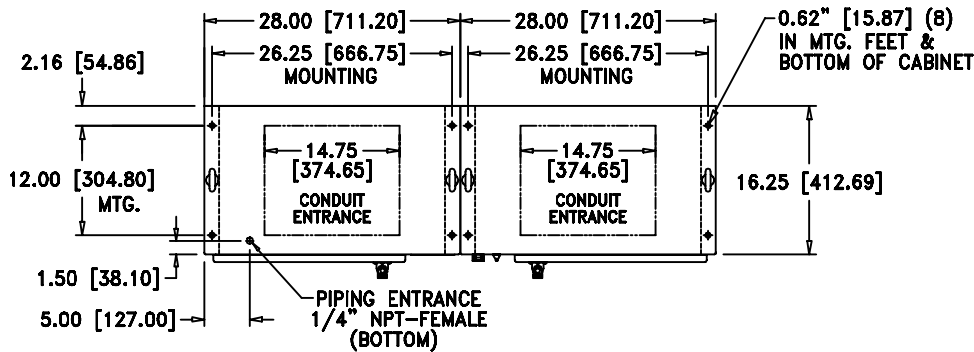
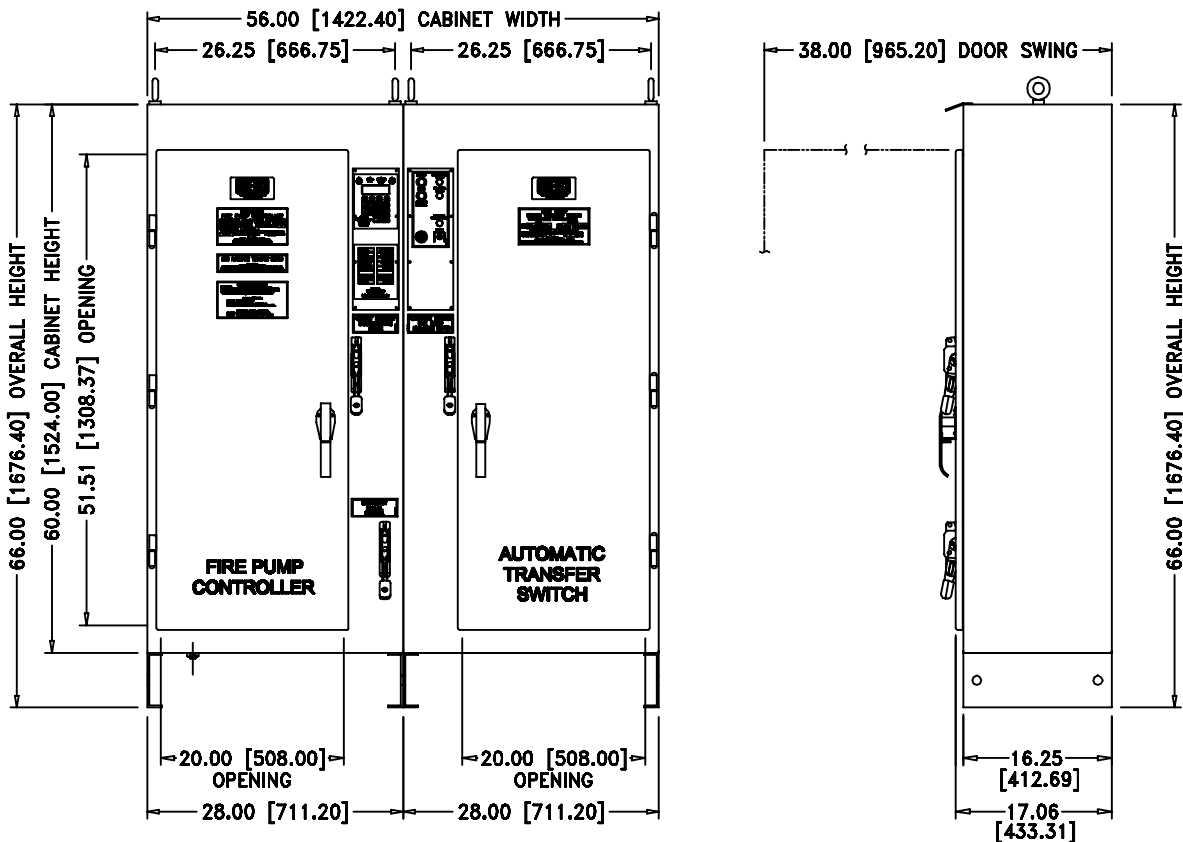


*Dimensions and Data*  
**Combination Fire Pump Controller  
 And LX-450 Automatic Transfer Switch  
 Autotransformer Type**

*LXi-2300*



**DIMENSIONS SUBJECT TO CHANGE WITHOUT NOTICE. ALWAYS CONSULT FACTORY TO CONFIRM CURRENT INFORMATION.**



RATINGS	HP	VOLTS	WITHSTAND	ENCLOSURE TYPE
	15-60	200-208V.	100,000 A (STD)	NEMA 2 (STD.)
ORDER INFORMATION	15-60	220-240V.	150,000 A	NEMA 3R
	15-125	380-415V.	200,000 A	NEMA 12
	15-150	440-480V.		NEMA 4 (NOT SHOWN *)
				NEMA 4X (NOT SHOWN *)
SELECT	HP	VOLTS	WITHSTAND	ENCLOSURE TYPE
	<input type="text"/>	<input type="text"/>	<input type="text"/>	<input type="text"/>

**NOTES:**

- ENCLOSURE MADE FROM 11 GA. STEEL
- FINISH: RED EPOXY-POLYESTER
- NO KNOCKOUTS
- BOTTOM or TOP CONDUIT ENTRY
- PROTECT INTERNAL EQUIPMENT FROM DRILLING CHIPS
- FLOOR MOUNTING
- T" INDICATES METRIC (mm) DIMENSIONS
- \*SAME OUTSIDE DIMENSIONS



**HUBBELL / INDUSTRIAL CONTROLS, INC.**  
 4301 Cheyenne Drive, Archdale, N.C. 27263

DATE:	REV.
07/25/2002	-
DRAWING NUMBER:	
23CE0011	