

LINE TERMINALS - WIRE CAPACITY AND QUANTITY (60/75 °C CU) 1

A-45CF0011

MAXIMUM MOTOR HORSEPOWER	WIRE SIZE PER PHASE	TIGHTENING TORQUE (in-lb)
200-220	380-440	550-
208-240	415-480	600
40-50	75-100	125
75-75	150-150	200
200-200	350-400	400

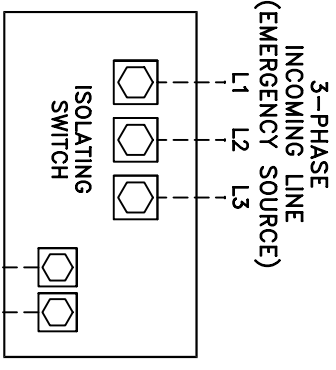
WIRE SIZE PER PHASE	WIRE SIZE	TORQUE
100-200K AIC	(1) #12AWG-#3/0AWG	#12-#10
	(1) #8AWG-350 kcmil	#8-#4
	(2) #2/0AWG-400 kcmil*	#8-#3
	or (1) #6AWG-600 kcmil	#2-600

CONTROL AND ALARM
TERMINAL BLOCKS

PTB1

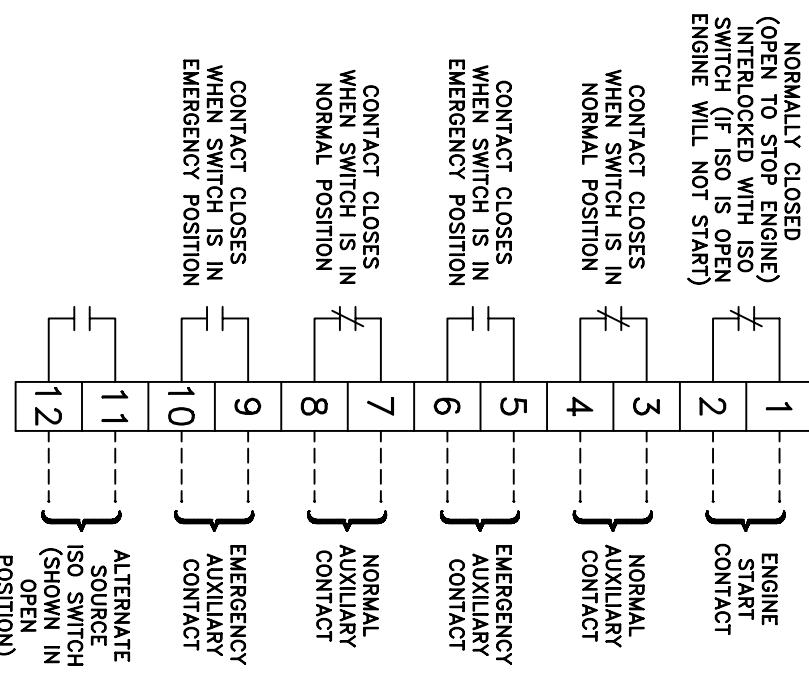
1 For correct field wire sizing, refer to the National Electrical Code, NFPA-70.

WIRE SIZE	TORQUE (in-lb)
SERVICE ENTRANCE	110
GROUND LUG	150
(2) #6AWG-350 kcmil	180
wire size	250
#6 -#4	325
#3 -#1	
1/0-2/0	
3/0-4/0	
250 to 350 kcmil	



- NOTES:
- AUXILIARY CONTACTS ARE RATED
 - AMPS MAX @ 480 VOLTS AC OR 10 AMPS MAX @ 240 VOLTS AC.
 - CONTACTS SHOWN IN "NO POWER" STATE WITH LOAD CONNECTED TO NORMAL SOURCE (NORMAL POSITION).

FOR LX-450 TRANSFER SWITCH WIRING DIAGRAM, REFERENCE DWG. 45CW0011.



NORMALLY CLOSED (OPEN TO STOP ENGINE) INTERLOCKED WITH ISO SWITCH (IF ISO IS OPEN ENGINE WILL NOT START)

CONTACT CLOSURES WHEN SWITCH IS IN NORMAL POSITION

CONTACT CLOSURES WHEN SWITCH IS IN EMERGENCY POSITION

CONTACT CLOSURES WHEN SWITCH IS IN NORMAL POSITION

CONTACT CLOSURES WHEN SWITCH IS IN EMERGENCY POSITION

M/L NO.

MOTION:

REF.

CADD NO. 45CF0011

FIELD CONNECTIONS
LX-450 AUTOMATIC TRANSFER SWITCH
FOR USE IN COMBINATION WITH FIRE PUMP CONTROLLER
EMERGENCY SOURCE IS A GENERATOR SET

DATE 08/08/02 DR. DAMA CK. APPR.

Rev.	DATE	BY	DESCRIPTION
A	07/14/03	DAMA	ADDED LINE 4 TITLE DESCRIPTION.



Hubbell Industrial Controls, Inc.
4301 Cheyenne Drive, Archdale, N.C. 27263

DRG. NO. **A-45CF0011**
1 OF 1