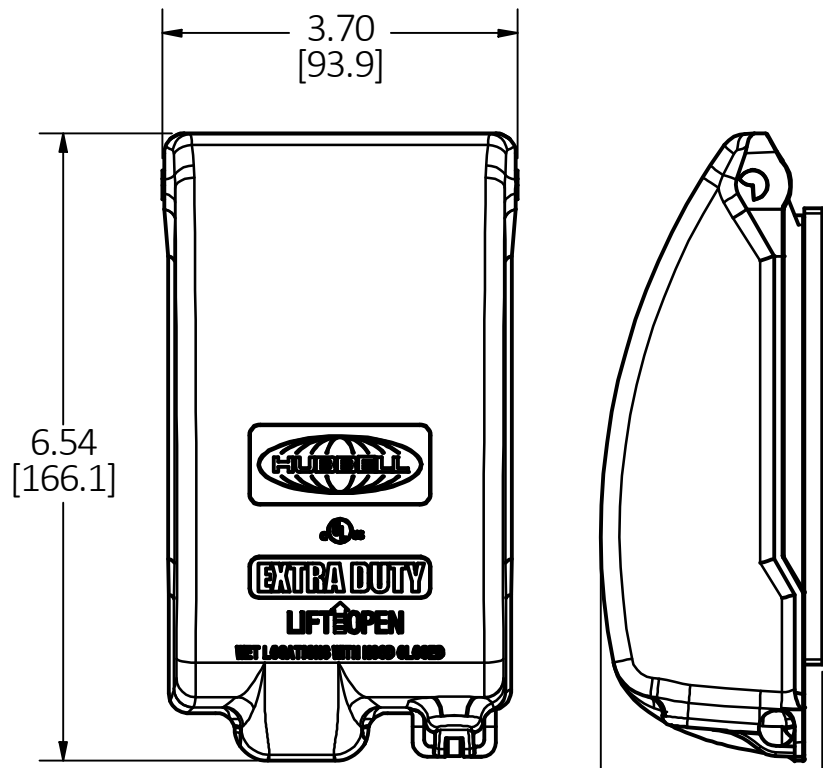
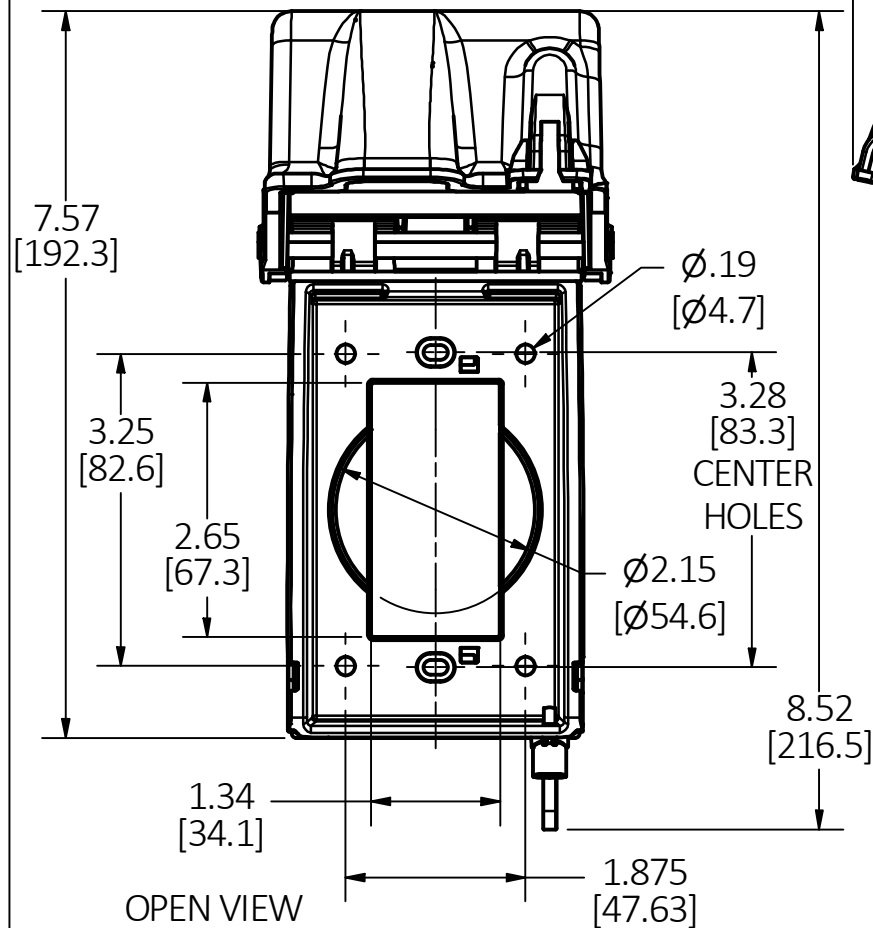


M-14387

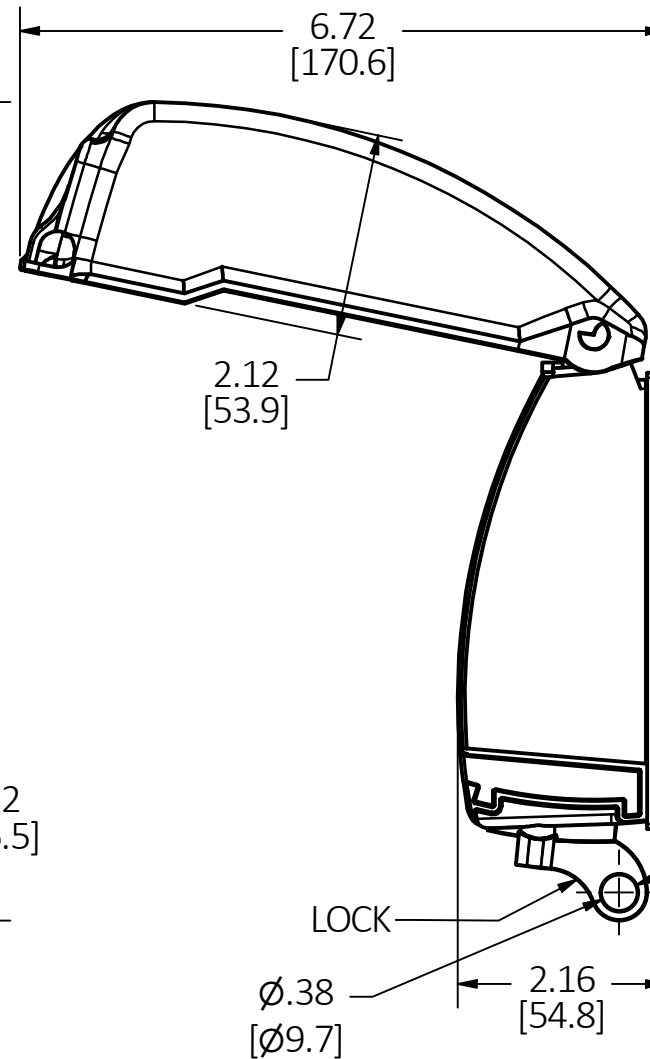
2



CLOSED POSITION

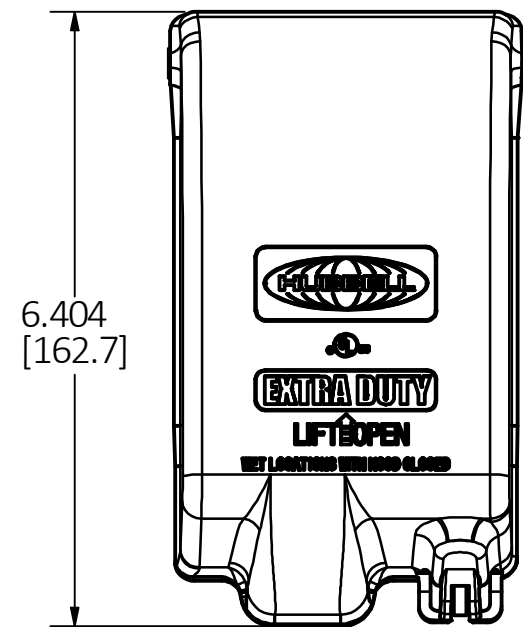


OPEN VIEW

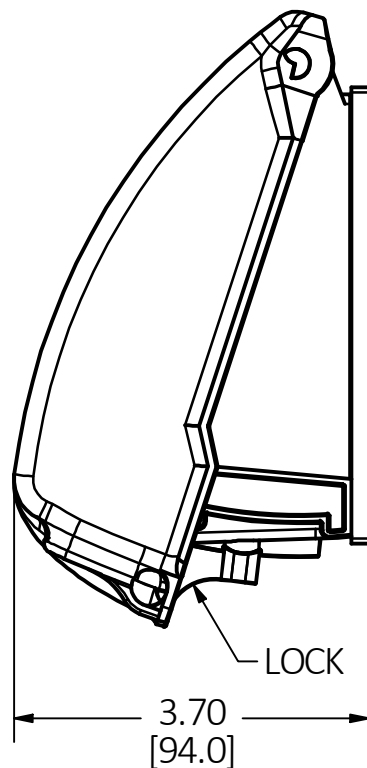


LOCK

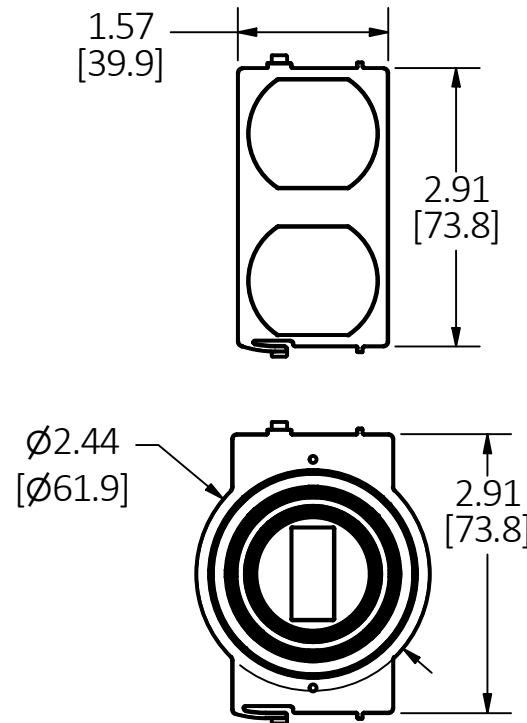
Ø.38 [Ø9.7]



WHILE IN USE POSITION



LOCK



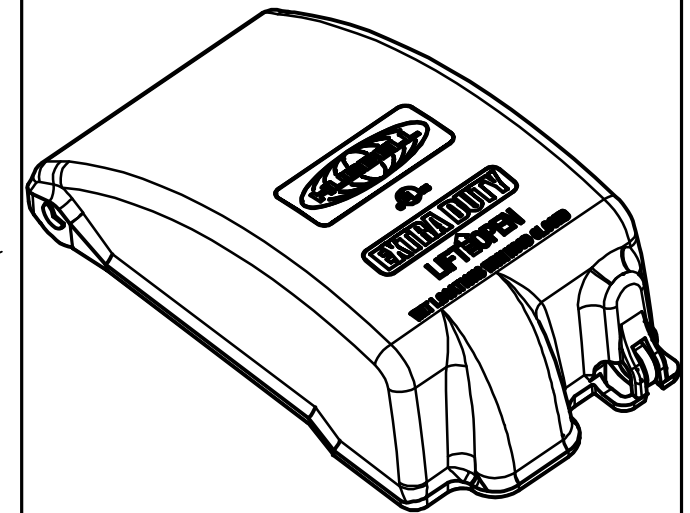
ADAPTER PLATES INCLUDED

NOTES:

1. ALL DIMENSIONS ARE IN INCHES [mm].
2. (4) #6 SCREWS PROVIDED FOR MOUNTING.
3. PRE-CONFIGURED FOR GFCI OPENING.
4. PRODUCT IS cULus LISTED.
5. UL RATING: 3R/3RX.
6. PADLOCK (NOT SUPPLIED) CAN BE USED TO LOCK COVER IN WHILE IN USE OR CLOSED POSITION. ROTATE LOCK AS NECESSARY.

LIST OF PARTS

DESCRIPTION	MATERIAL	FINISH
COVER	STAINLESS STEEL	
BASE	STAINLESS STEEL	
SHAFT	STAINLESS STEEL	
LOCK	STAINLESS STEEL	
SPRING	STAINLESS STEEL	
RIVET	STAINLESS STEEL	
GASKETS	ELASTOMER	
SCREWS	STAINLESS STEEL	
ADAPTER PLATES	THERMOPLASTIC	GRAY



REV	DESCRIPTION	APP	DATE
2	ADDED LOCK NOTES & UPDATED LASER MARKINGS PER DCN 211119014580	AD	11/19/21
1	NEW RELEASE PER DCN 210622009485	AD	6/22/21

THE DESIGN AND DIMENSIONS OF THE PRODUCT SHOWN ON THIS DRAWING ARE SUBJECT TO CHANGE WITHOUT NOTICE. DIMENSIONS ARE IN INCHES [mm].

TITLE

1 GANG, SS WHILE IN USE COVER



WIRING DEVICE-KELLEMS
HUBBELL INCORPORATED
SHELTON, CT

TOLERANCES UNLESS OTHERWISE SPECIFIED
.XX = ±.01
.XXX = ±.005
ANGLE TOL. ±2°

DR. BY	AD	SCALE	1 / 2
CHK. BY	SBW	DATE	5/4/21

DIMENSION SHEET FOR CAT. NO. HBLSS26W1S

B

M-14387

2