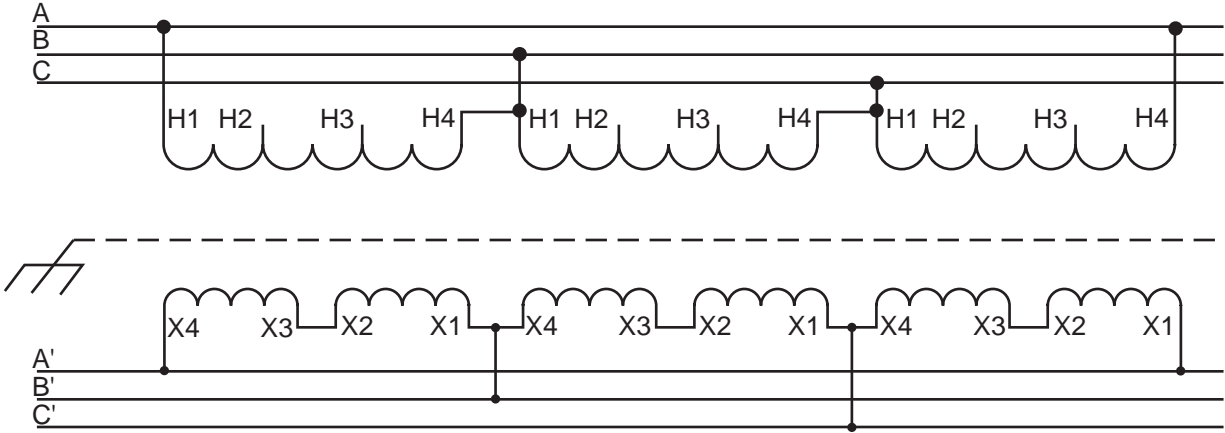


INPUT 600 VOLT DELTA 3Ø 60 HZ 3 WIRE



OUTPUT 240 VOLTS DELTA 3Ø 60 HZ 3 WIRE

CATALOG NO.	3Ø KVA	QTY.
T-2-53113-1S	9	3
T-2-53114-1S	15	3
T-2-53615-1S	22.5	3
T-2-53616-1S	30	3
T-2-53617-1S	45	3
T-2-53618-1S	75	3

INPUT AND OUTPUT CAN BE REVERSE CONNECTED



Acme Electric Corporation

Power Distribution Products Division

4815 West Fifth Street
 Lumberton, NC 28358
 910-738-1121 Inside NC
 800-334-5214 Outside NC
 910-739-0024 Fax
www.acmepowerdist.com