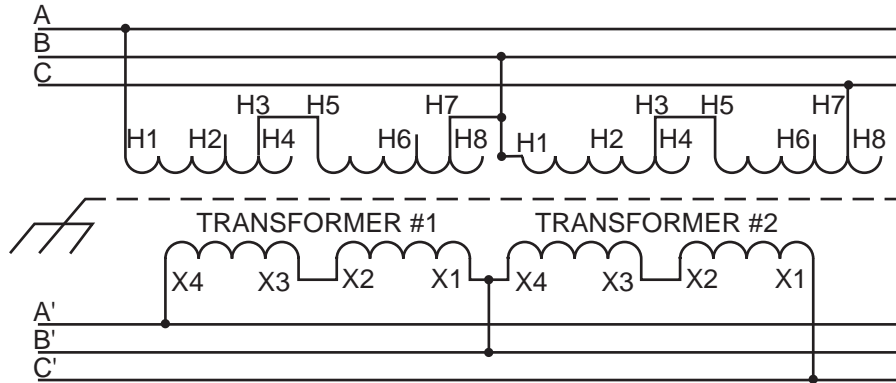


INPUT 480 VOLT DELTA 3Ø 60 HZ 3 WIRE



OUTPUT 240 VOLT DELTA 3Ø 60 HZ 3 WIRE

CATALOG NO.	3Ø KVA	QTY.
T-2-53013-4S	5.1	2
T-2-53014-4S	8.6	2

INPUT AND OUTPUT CAN BE REVERSE CONNECTED



Acme Electric Corporation

Power Distribution Products Division

4815 West Fifth Street
 Lumberton, NC 28358
 910-738-1121 Inside NC
 800-334-5214 Outside NC
 910-739-0024 Fax
www.acmepowerdist.com