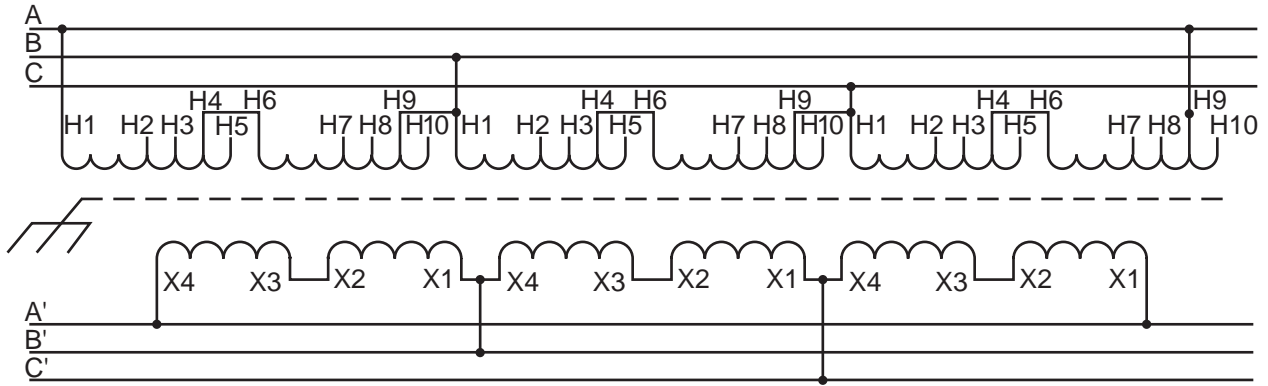


INPUT 416 VOLT DELTA 50/60HZ 3 WIRE



OUTPUT 240 VOLT DELTA 50/60HZ 3 WIRE

CATALOG NO.	1Ø KVA	3Ø KVA	QTY.
TF-2-17437-S	1	3	3
TF-2-17439-S	2	6	3
TF-2-49873-S	3	9	3
TF-2-52520-S	5	15	3
TF-2-52794-S	7.5	22.5	3
TF-2-52795-S	10	30	3
TF-2-52796-S	15	45	3
TF-2-52797-S	25	75	3

INPUT AND OUTPUT CAN BE REVERSE CONNECTED



**Acme Electric Corporation**

Power Distribution Products Division

4815 West Fifth Street  
 Lumberton, NC 28358  
 910-738-1121 Inside NC  
 800-334-5214 Outside NC  
 910-739-0024 Fax  
[www.acmepowerdist.com](http://www.acmepowerdist.com)