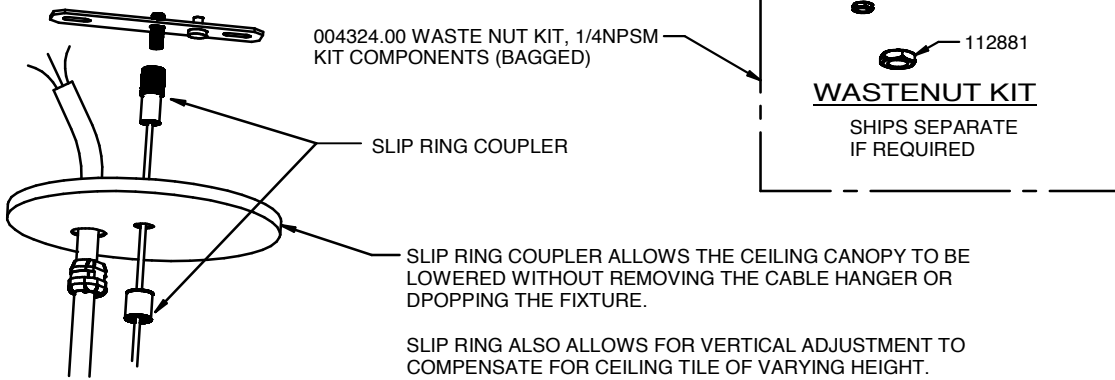
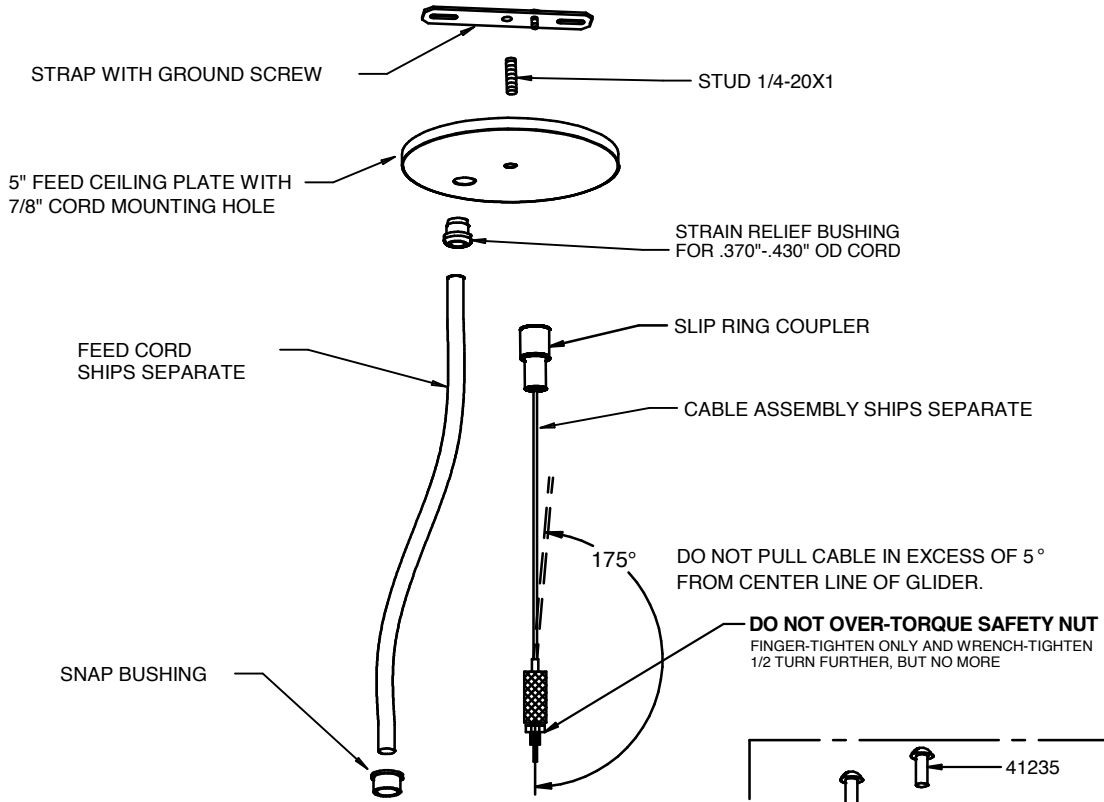


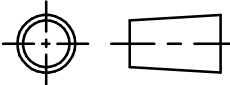
REV	DATE	RECORD	DESN	CHCK
A	03/05	ECO-14175	LA	---
B	11/2009	ADDED WASTE NUT INFO	MRH	BCG
C	05/14/12	EC 120514002	MRH	BCG

020918.50 HARDWARE KIT CABLE FEED, 5" CEILING PLATE, HC, MW, 18/5



SLIP RING DETAIL

CRITICAL DIMENSIONS

UNSPECIFIED TOLERANCES: INCHES X.X= 0.1 X.XX= 0.03 X.XXX= 0.005 FRACTIONS= 1/64 ANGULAR TOLERANCE= 2	
DIMENSIONS IN INCHES DIMENSIONS IN [] IN MM CONFORMS TO ASME Y14.5M DO NOT SCALE PRINT	DRAWN: LA02/09/05 CHECKED BY: --- 05/19/05 ENGINEERING: --- 05/19/05 CATALOG NO. ---
 THIRD ANGLE PROJECTION	

INST-CBL FEED HC 18/5 (5-WIRE)

MATERIAL: ---		FINISH: ---		PART NO. ---	
SCALE NTS	SIZE A	DRAWING NO. 020917.00	REV. C	SHT 1 1 SHTS	