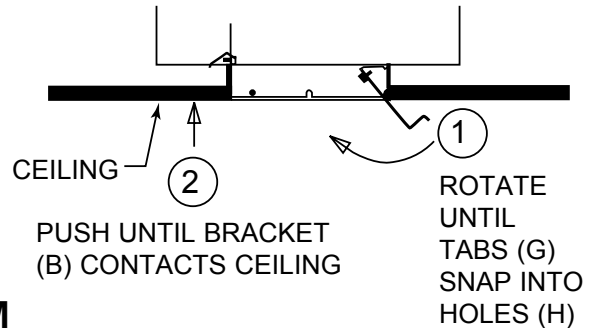
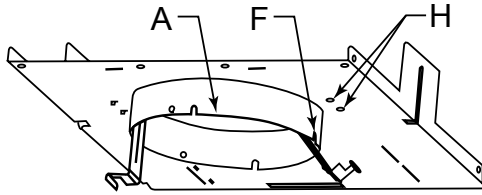
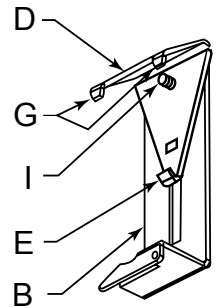


IMPORTANT SAFETY INFORMATION. READ AND FOLLOW ALL SAFETY INSTRUCTIONS. Follow label information and instructions concerning Wet or Damp Locations, installation near combustible materials, insulation, building materials, and proper lamping. Do not install in areas subject to combustible vapors or gases. Before wiring to power supply and during servicing or relamping, turn off power at fuse or circuit breaker. **All servicing or relamping must be performed by qualified service personnel. Product must be grounded to avoid potential electric shock or other potential hazard. Product must be mounted in locations and at heights and in a manner consistent with its intended use, and in compliance with the National Electrical Code and local codes.** The use of accessory equipment not recommended by the manufacturer or installed contrary to instructions may cause an unsafe condition. Do not block light emanating from product in whole or part, as this may cause an unsafe condition. Do not allow items such as drapes, curtains, screens or the like to come into contact with the product or to block light from the product, as this may cause an unsafe condition.

INSTALLATION INSTRUCTIONS SIGNOS 6 ARCHITECTURAL ELEMENTS

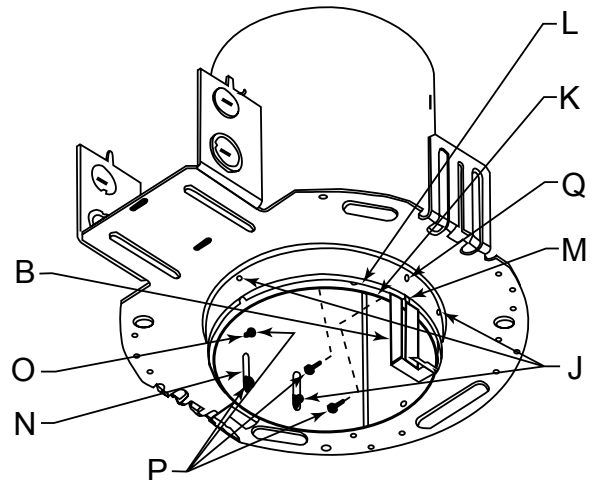
BRACKET INSTALLATION - CFR6, CFQ6, CFT6, CFT6H, CFR61

1. Remove lamp(s) and reflector from luminaire and verify that luminaire is secured to ceiling supports and is stable. Lower edge of luminaire aperture (A) should be approximately .125 inch above room side ceiling surface; adjust luminaire ceiling position if necessary.
2. Remove "L" brackets (B) from package. Verify that triangular brackets (D) are at top of "L" bracket slots. Attach brackets to luminaire by hooking triangular bracket tab (E) onto slot (F) of luminaire aperture. Rotate top of bracket over top edge of aperture until bracket's upper tabs (G) snap into holes (H) located on top surface of luminaire flange.
3. Loosen screws (I) on brackets, adjust brackets so they are in contact with ceiling, and retighten screws.
4. Replace reflector and lamp(s).



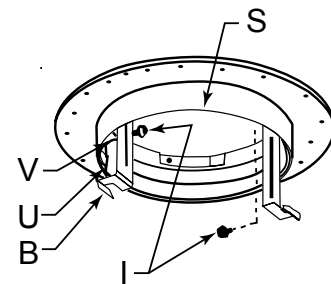
BRACKET INSTALLATION - 79X, 79M

1. Remove lamp and reflector from luminaire and verify that luminaire is secured to ceiling supports and is stable. Loosen 3 screws (J) holding luminaire housing (K) in place.
2. Remove "L" brackets (B) from package. Remove triangle brackets (D) from "L" brackets.
3. Attach "L" brackets to luminaire by inserting brackets between luminaire housing (K) and flange (L) at 2 positions marked with notches (M) on aperture. "L" bracket slots must be aligned with housing slots (N) at 180° and brackets must be pushed up until bracket slots clear upper holes (O). Insert 2 sheet metal screws (P) into upper holes (O) and 2 through housing slots (N) and bracket slots and into holes (Q) on flange; do not tighten screws.
4. Lower edge of housing (K) should be approximately .125 inch above room side ceiling surface; adjust luminaire housing position if necessary. Adjust brackets so they are in contact with ceiling and tighten 4 screws (P) for the "L" brackets and 3 screws (J) for luminaire housing.
5. Replace reflector and lamp.



BRACKET INSTALLATION - RHD6

1. Remove lamp and reflector from luminaire and verify that luminaire is secured to ceiling supports and is stable. Lower edge of luminaire aperture (S) should be approximately .125 inch above room side ceiling surface; adjust luminaire position if necessary.
2. Remove "L" brackets (B) from package. Remove triangular brackets (D) from "L" brackets; save machine screws (I) for reuse.
3. Attach brackets to luminaire by placing brackets into flange slots (U) and inserting machine screws (I) through bracket slots and into flange holes (V). Adjust brackets so they are in contact with ceiling and tighten machine screws (I).
4. Replace reflector and lamp.



TRIM INSTALLATION

Note: frosted glass and plastic parts are easily stained with body oils or other contaminants; use gloves or extreme care to maintain clean appearance.

1. Attach Signos trim safety retainer (AA) to "L" bracket (B) by threading wire end into hole (BB), first inserting into the side away from the aperture.
2. Orient Signos trim so attachment springs (CC) are aligned with "L" brackets (B) and trim is centered below aperture. Rotate trim counterclockwise until safety retainer (AA) reaches the end of its slot to position springs (CC) for mounting, keeping trim centered. Push trim to ceiling, insuring that "L" brackets (B) insert inside mounting flange (DD). With Signos trim pushed against ceiling, rotate clockwise until trim locks into place.
3. With light force, pull Signos trim to verify proper installation; correctly installed trim will hold securely.

SPECIAL NOTES

Do NOT install decorative trim if parts are damaged or cracked. Do NOT disassemble decorative trim.

