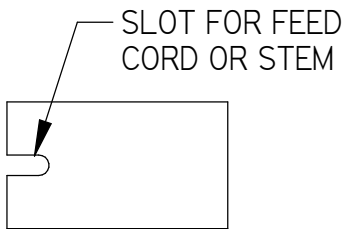


DO NOT MODIFY OR ALTER THIS PRODUCT IN ANY WAY, OR INSTALL IN ANY FASHION WHICH IS CONTRARY TO THE INSTRUCTIONS CONTAINED HEREIN.
IF YOU HAVE ANY QUESTIONS REGARDING THIS PRODUCT OR THE INSTALLATION OF IT, PLEASE CALL LITECONTROL ENGINEERING AT 781-294-0100.

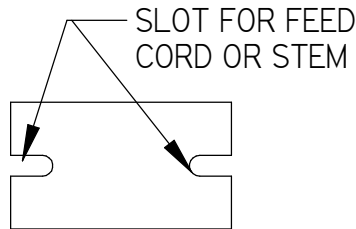
INSTRUCTIONS - LENS INSTALLATION:

Notes: Lens is installed after fixtures have been mounted and lamps are installed in fixture.
(Lenses are shipped separately.)

1. Seat lens on top of lens angles. NOTE: Use lense with slot in it at end of fixture where the feed cord or stem is located. This slot allows feed cord or stem to go into fixture. Use lenses without slot for all other locations.
2. Once lens is in place, bend the lens angle tabs down to secure lens (detail A).



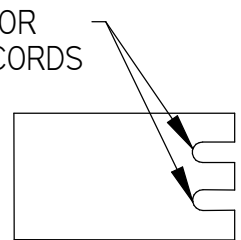
LENSE-For Aircraft Cable with feed OR Stem at one end.



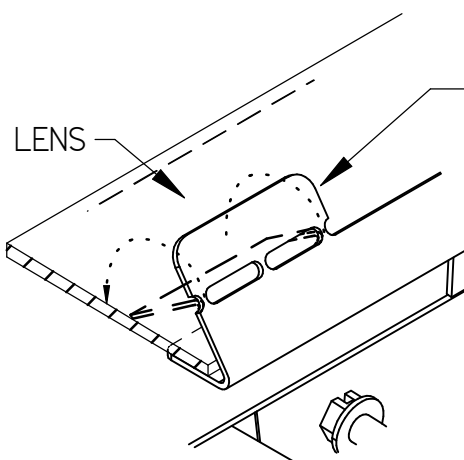
LENSE-For Aircraft Cable with feed OR Stem at both ends.



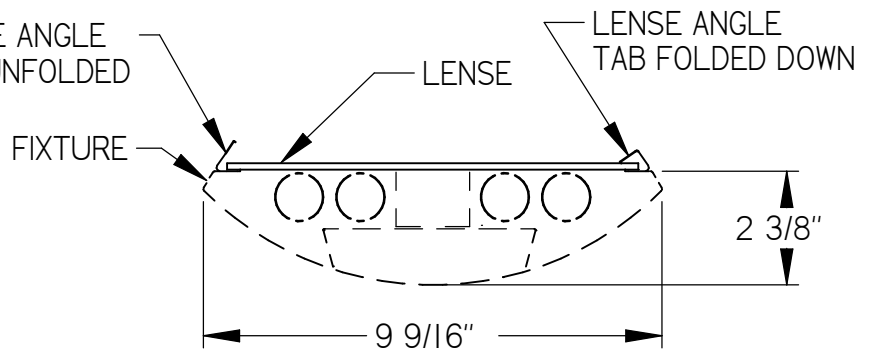
LENSE -For Non-Feed Aircraft Cable at both ends.



LENSE-For Aircraft Cable with dual feed at one end.



DETAIL A
SCALE: 1/1



CROSS SECTION
4 LITE T8 SHOWN
SCALE: 1/4