

**INSTALLATION INSTRUCTIONS**

FIXTURE TYPES: W-D-66N00, W-ID-66N00  
 W-AID-66N00, W-AI-66N00  
 W-I-66N00, W-ADW-66N00

**WALL MOUNTING BRACKETS**

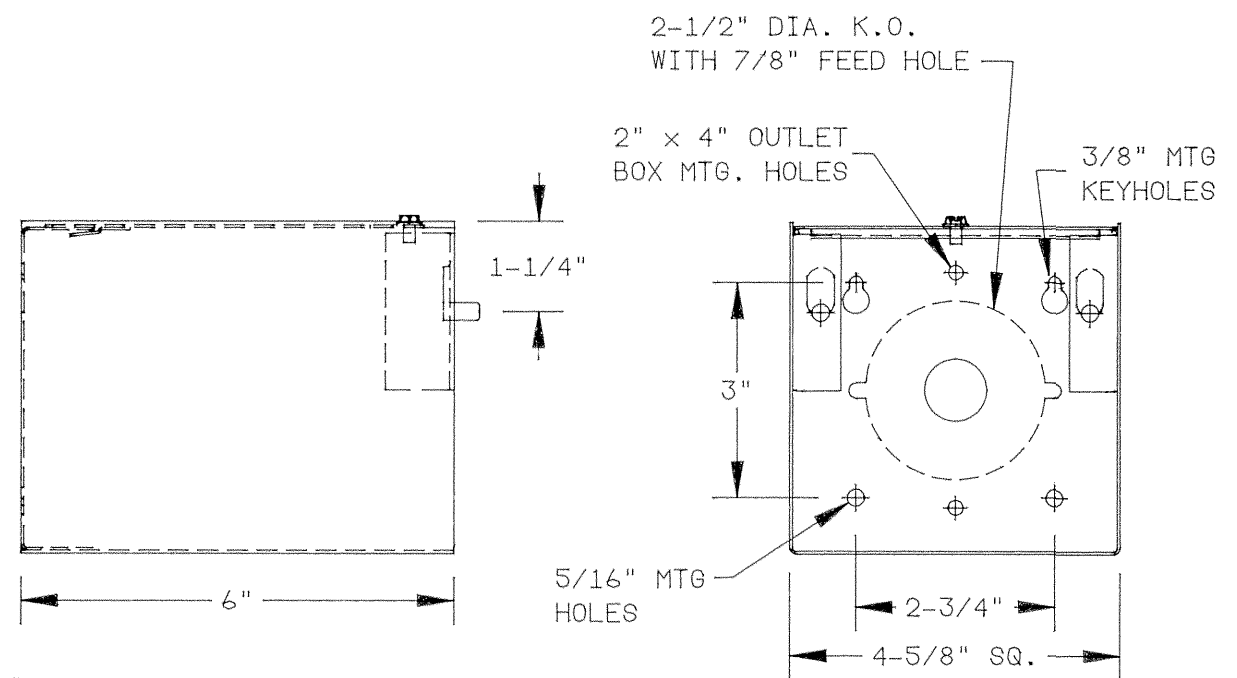
PART NO. **510089-3000**

Pg. 1 OF 2

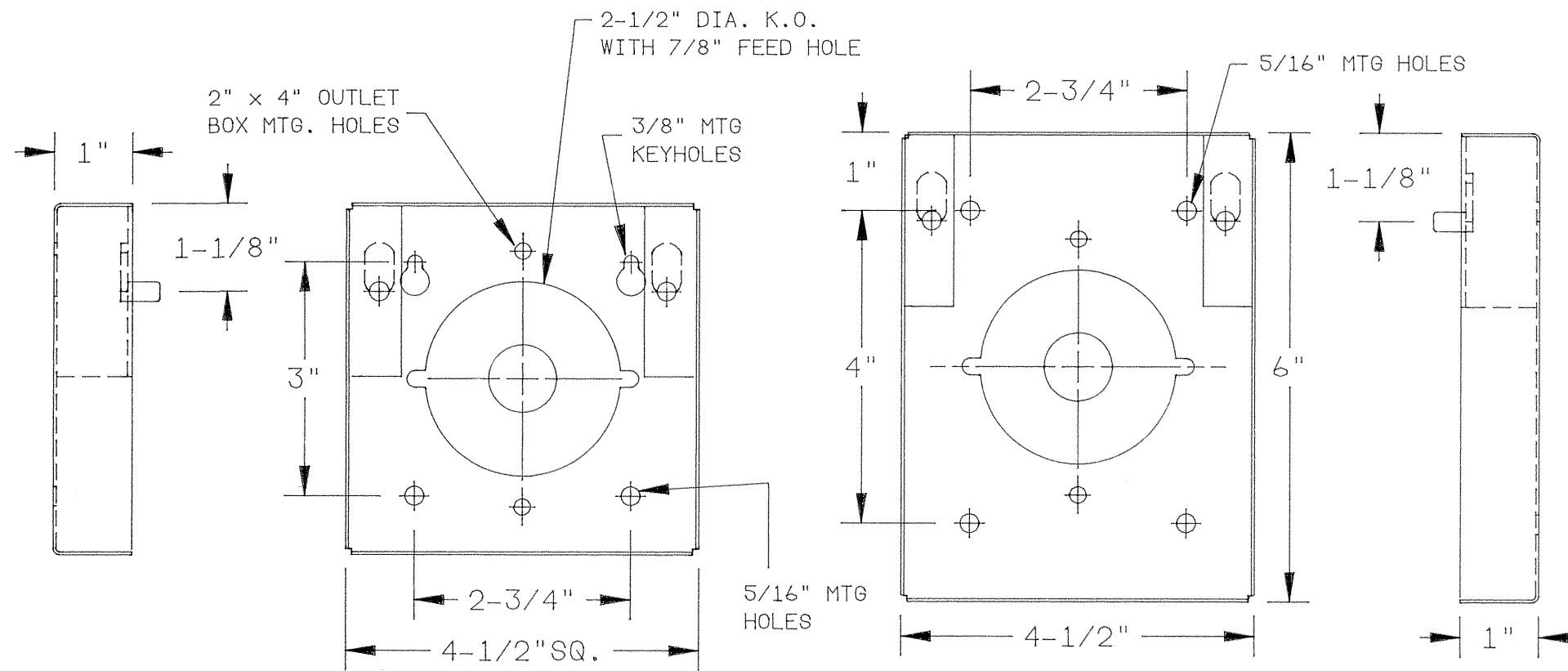
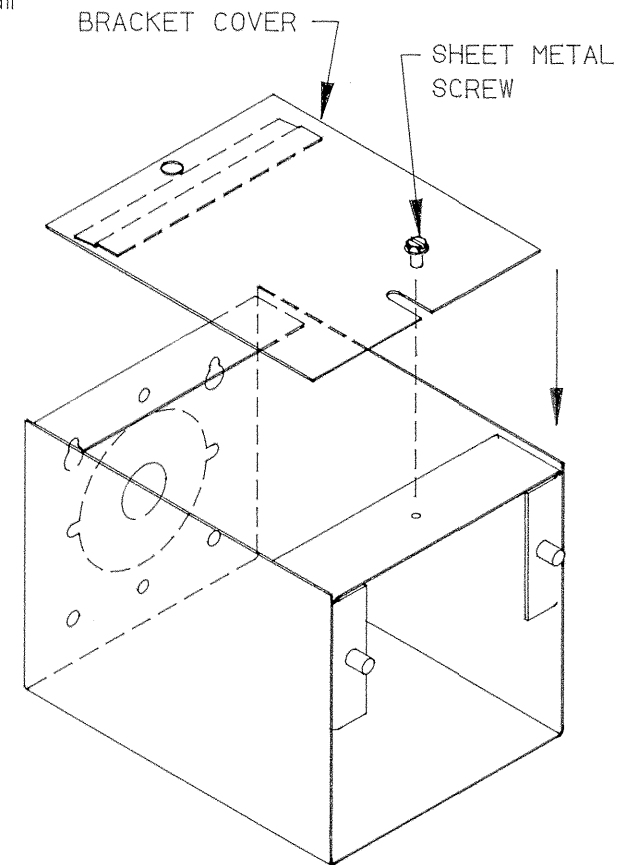
DO NOT MODIFY OR ALTER THIS PRODUCT IN ANY WAY, OR INSTALL IN ANY FASHION WHICH IS CONTRARY TO THE INSTRUCTIONS CONTAINED HEREIN. IF YOU HAVE ANY QUESTIONS REGARDING THIS PRODUCT OR THE INSTALLATION OF IT, PLEASE CALL LITECONTROL ENGINEERING AT 781-294-0100

**INSTRUCTIONS: (READ COMPLETELY BEFORE STARTING)**

1. String a straight line on mounting wall at correct height. Carefully pre-position brackets on wall at correct distances from each other and mark locations of mounting holes needed. (See page 2)
2. Remove 2-1/2" dia. K.O. in wall bracket when:
  - A. Access to electrical outlet box is required per applicable codes.
  - B. Attaching wall bracket to a plaster ring cover over 4" outlet box.
 NOTE: Outlet box must be adequately attached to structure for supporting fixture weight.
3. Mount brackets to wall with correct anchoring to insure that fixture will not pull away from wall when attached. Level brackets to each other (use shims if necessary).
4. Mount fixture per appropriate Instruction Sheet.



NOTE: For "WCB" WALL MTG BRACKET. Bracket cover must be removed prior to wall brkt installation and replace when fixture is properly hung, secured and wire fed.



WM-6N WALL MTG BRACKET

WM-9N WALL MTG BRACKET

"WCB" WALL MTG BRACKET

**LITECONTROL**

100 HAWKS AVENUE - PO BOX 100 - HANSON MA 02341, 781-294-0100

**INSTALLATION INSTRUCTIONS**

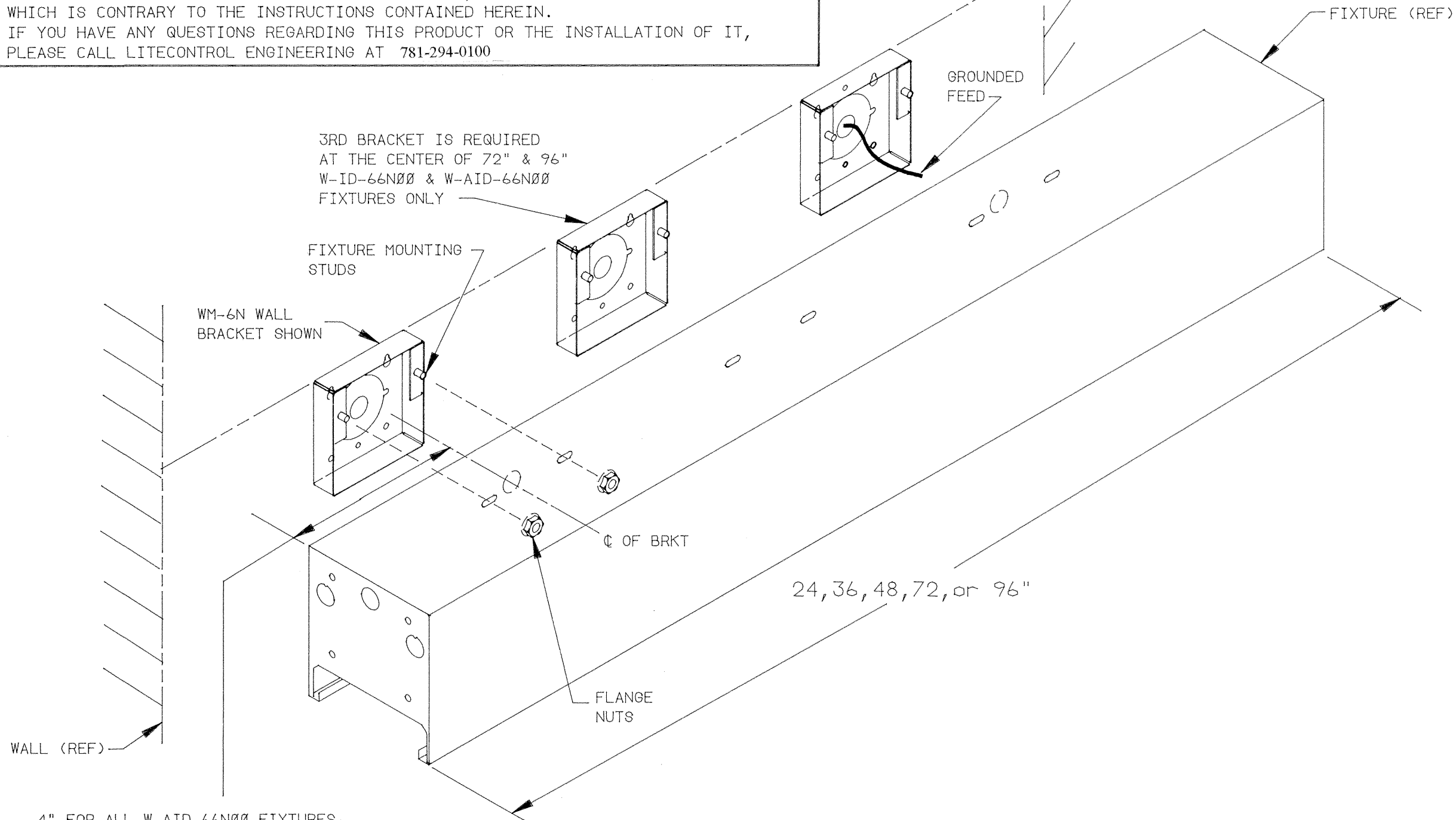
FIXTURE TYPES: W-D-66N00, W-ID-66N00  
W-AID-66N00, W-AI-66N00  
W-I-66N00, W-ADW-66N00

**WALL MOUNTING BRACKETS**

PART NO. **510089-3000**

PG. 2 OF 2

DO NOT MODIFY OR ALTER THIS PRODUCT IN ANY WAY, OR INSTALL IN ANY FASHION WHICH IS CONTRARY TO THE INSTRUCTIONS CONTAINED HEREIN. IF YOU HAVE ANY QUESTIONS REGARDING THIS PRODUCT OR THE INSTALLATION OF IT, PLEASE CALL LITECONTROL ENGINEERING AT 781-294-0100



4" FOR ALL W-AID-66N00 FIXTURES,  
4-1/2" FOR ALL OTHER 24" LENGTH FIXTURES,  
6" FOR ALL OTHER 36", 48", 72" & 96" LENGTH FIXTURES.

**LITECONTROL**

100 HAWKS AVENUE - PO BOX 100 - HANSON MA 02341, 781-294-0100