

**INSTALLATION
INSTRUCTIONS**

FIXTURE TYPE _____

**EQ/P6
STEM ASSEMBLY**

PG. 1 OF 2

P/C **510356-2000**

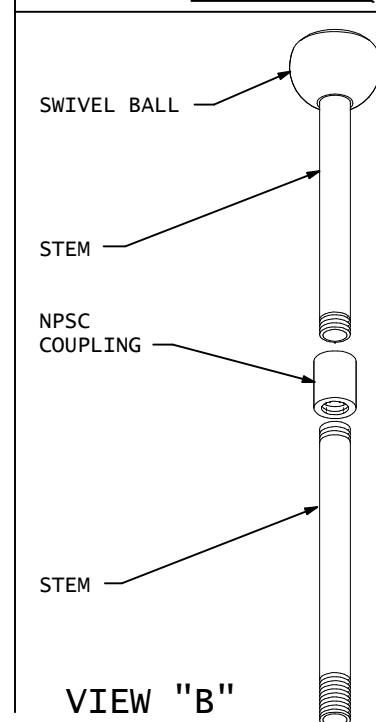
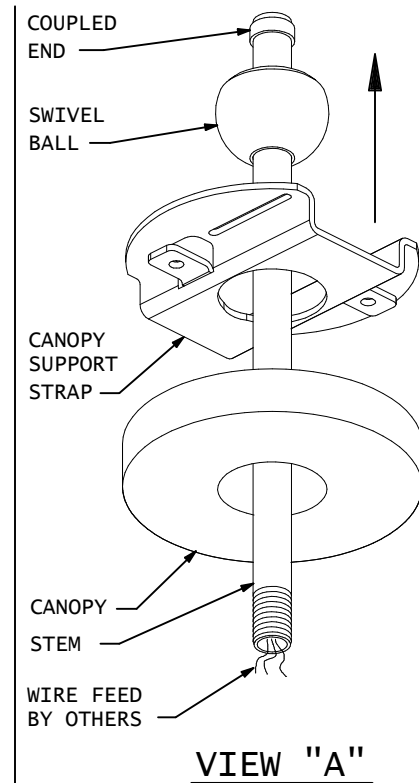
DO NOT MODIFY OR ALTER THIS PRODUCT IN ANY WAY, OR INSTALL IN ANY FASHION WHICH IS CONTRARY TO THE INSTRUCTIONS CONTAINED HEREIN. IF YOU HAVE ANY QUESTIONS REGARDING THIS PRODUCT OR THE INSTALLATION OF IT, PLEASE CALL LITECONTROL ENGINEERING AT 781-294-0100.

GENERAL NOTES:

1. The EQ/P6 stem assembly is made to install over the following outlet boxes: (3-1/2" Octagon, 4" x 2-1/8" Handy box, 3" x 2" Switchbox and plaster ring with 2-3/4" mtg. holes) OR a 2" dia. x 1/2" deep clearance hole in ceiling. Outlet boxes must be mounted flush to ceiling.
WARNING: The National Electric Code requires that any fixture weighing more than (50) pounds be independently supported of an outlet box.
2. Fixtures in rows must be supported by a minimum of one stem at the junction of each two fixtures plus one at each end of the row. This is considered by "Underwriters Laboratories" as equivalent to two stems (or cables) per fixture.
3. These fixture supports are to be used only in conjunction with LITECONTROL products for which they were furnished. DO NOT use them for support of any other items or in any fashion which is contrary to this instruction sheet.

INSTALLATION OF EQ/P6 ASSEMBLIES TO CEILING:
(Refer to view "A")

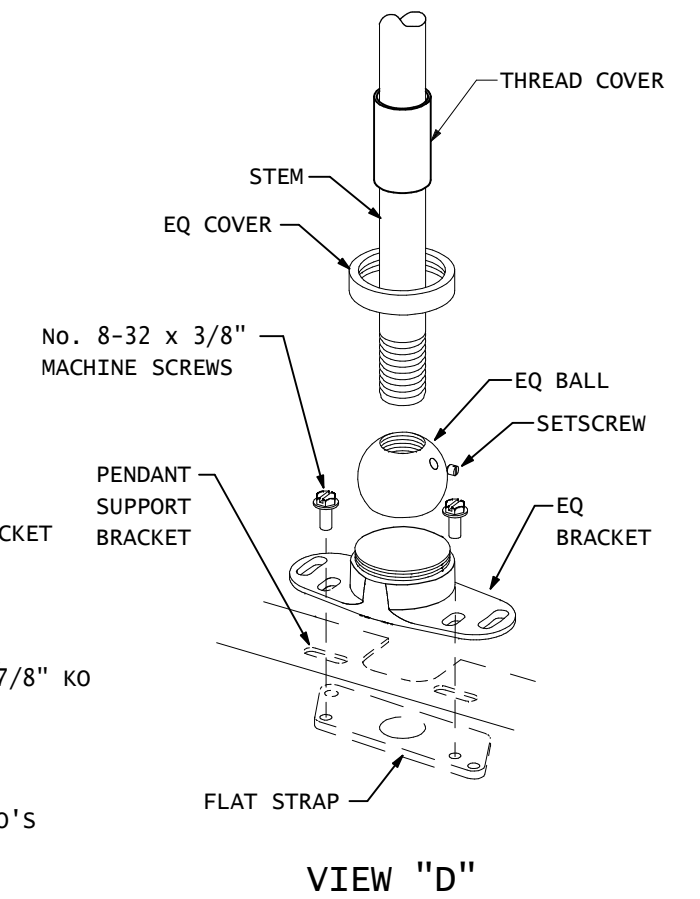
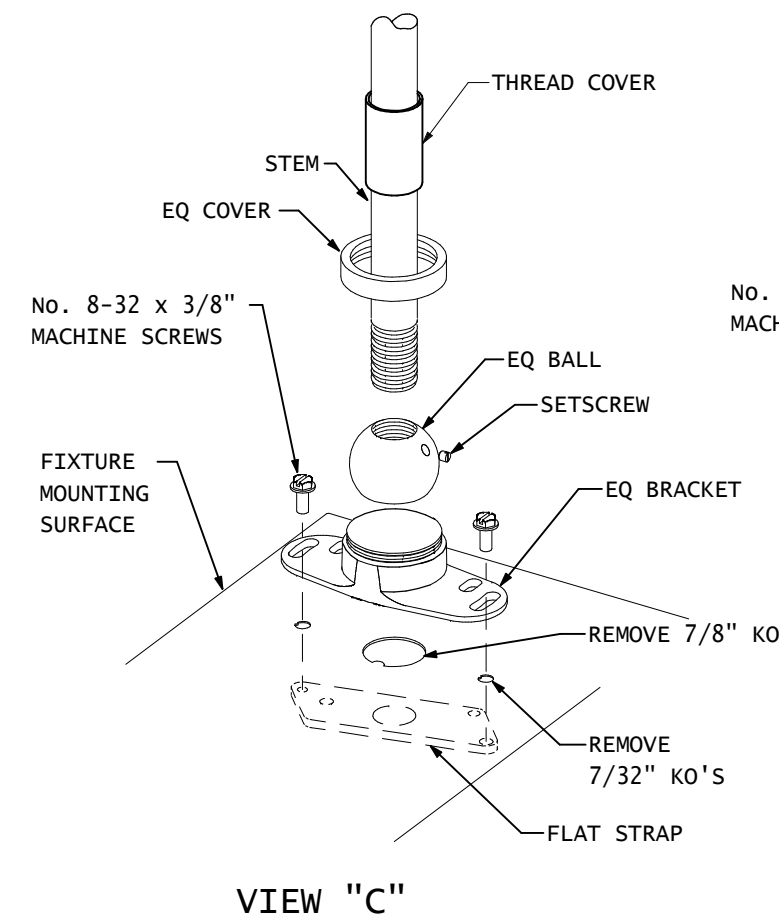
1. Retrieve nylon swivel ball from polybag kit and slide it onto stem until ball seats over coupled end of stem.
2. Insert stem thru hole in canopy support strap. Lift stem and support strap to ceiling and securely install to outlet box or ceiling. Refer to fixture instructions for stem locations.
3. For coupled stem assemblies, slide swivel ball on, per step above and thread the two stems together with the NPSC coupling making sure that the 1" threaded portion of stem is at the bottom. See view "B"



INSTALLATION OF FIXTURES TO STEMS:

Note: Although fixture mounting surfaces vary, installation of EQ parts are similar.

- Refer to View "C" when mounting thru a 7/8" KO or View "D" when mounting to a Pendant support angle or bracket.
1. Refer to instructions packaged with fixture to prepare it for hanging.
 2. Thread a Setscrew partially into EQ Ball. Slide Canopy (See View "A"), thread cover and then EQ Cover onto stem and thread EQ Ball onto end of stem.
 3. Position a Flat Strap underneath the fixture mounting surface and mount EQ Bracket thru to Flat Strap with (2) No. 8-32 x 3/8" long machine screws. Repeat this step at opposite end of fixture when mounting individual fixtures. For row mounted fixtures with Pendant support angles: EQ Bracket and Flat Strap is positioned so that they will straddle row joint and is attached to each fixture with (1) No. 8-32 x 3/8" long machine screw.
 4. Lift fixture up to stems, slide EQ Brackets into EQ Balls and thread EQ Cover onto bracket.
 5. Level fixture by moving EQ balls up or down stems. There is approximately 1/4" of vertical adjustment available for leveling fixtures. Tighten setscrews after fixture is level.
 6. Fixtures may be wire fed thru stems.



INSTALLATION INSTRUCTIONS

FIXTURE TYPE _____

EQ/P6 STEM ASSEMBLY

PG. 2 OF 2

P/C **510356-2000**

DO NOT MODIFY OR ALTER THIS PRODUCT IN ANY WAY, OR INSTALL IN ANY FASHION WHICH IS CONTRARY TO THE INSTRUCTIONS CONTAINED HEREIN. IF YOU HAVE ANY QUESTIONS REGARDING THIS PRODUCT OR THE INSTALLATION OF IT, PLEASE CALL LITECONTROL ENGINEERING AT 781-294-0100.

INSTALLATION OF P-ID-66N00 & P-I-7000BX FIXTURES TO STEMS:

Note: For these fixtures, the EQ bracket must be positioned above the top of lamp as shown in View "E".

1. Refer to instructions packaged with fixture to prepare it for hanging.
2. Thread a Setscrew partially into EQ Ball. Slide Canopy (See View "A"), thread cover and then EQ Cover onto stem and thread EQ Ball onto end of stem.
3. Thread a Flat Strap onto the short threaded end of Stem Extension and thread a locknut onto other end.
4. Remove the 7/8" center KO in Fixture Socket Plate and insert Stem extension thru ko and secure with another locknut from underside of socket plate.
5. Mount EQ Bracket to Flat Strap with (2) No. 8-32 x 3/8" long machine screws. Repeat steps 4 & 5 at opposite end of fixture.
6. Lift fixture up to stems, slide EQ Brackets into EQ Balls and thread EQ Cover onto bracket.
7. Level fixture by moving Locknuts up or down Extension stems. There is approximately 3/4" of vertical adjustment available for leveling fixtures. Tighten locknuts and setscrews after fixture is level.
8. Fixtures may be wire fed thru stems.

CANOPY INSTALLATION: (Refer to View "A")

1. Canopies are installed after wiring in outlet boxes have been completed.
2. Align plastic tree clips in canopy with the two 1/4" holes in support strap. Push canopy up until clips engage and canopy is flush against ceiling.

INSTALLATION OF P-I-9900 FIXTURES TO STEMS:

Note: For these fixtures, refer to View "F" and View "G"

1. Refer to instructions packaged with fixture to prepare it for hanging.
2. Thread a Setscrew partially into EQ Ball. Slide Canopy (See View "A"), thread cover and then EQ Cover onto stem and thread EQ Ball onto end of stem.
3. Remove the 7/8" center KO in Fixture Support Bracket for wire feed location when required
4. Mount EQ Bracket to Fixture Support Bracket with (2) No. 8-32 x 3/8" long machine screws into Threaded Holes.
5. Lift fixture up to stems, slide EQ Brackets into EQ Balls and thread EQ Cover onto bracket.
6. Level fixture by moving Locknuts up or down Extension stems. There is approximately 1/4" of vertical adjustment available for leveling fixtures. Tighten locknuts and setscrews after fixture is level.

CANOPY INSTALLATION: (Refer to View "A")

1. Canopies are installed after wiring in outlet boxes have been completed.
2. Align plastic tree clips in canopy with the two 1/4" holes in support strap. Push canopy up until clips engage and canopy is flush against ceiling.

