

INSTALLATION INSTRUCTIONS

FIXTURE TYPE _____

P-I-5900
FIXTURE ASSEMBLY

PART NO. 510404-3000

PG. 1
OF 2

DO NOT MODIFY OR ALTER THIS PRODUCT IN ANY WAY, OR INSTALL IN ANY FASHION WHICH IS CONTRARY TO THE INSTRUCTIONS CONTAINED HEREIN. IF YOU HAVE ANY QUESTIONS REGARDING THIS PRODUCT OR THE INSTALLATION OF IT, PLEASE CALL LITECONTROL ENGINEERING AT 781-294-0100.

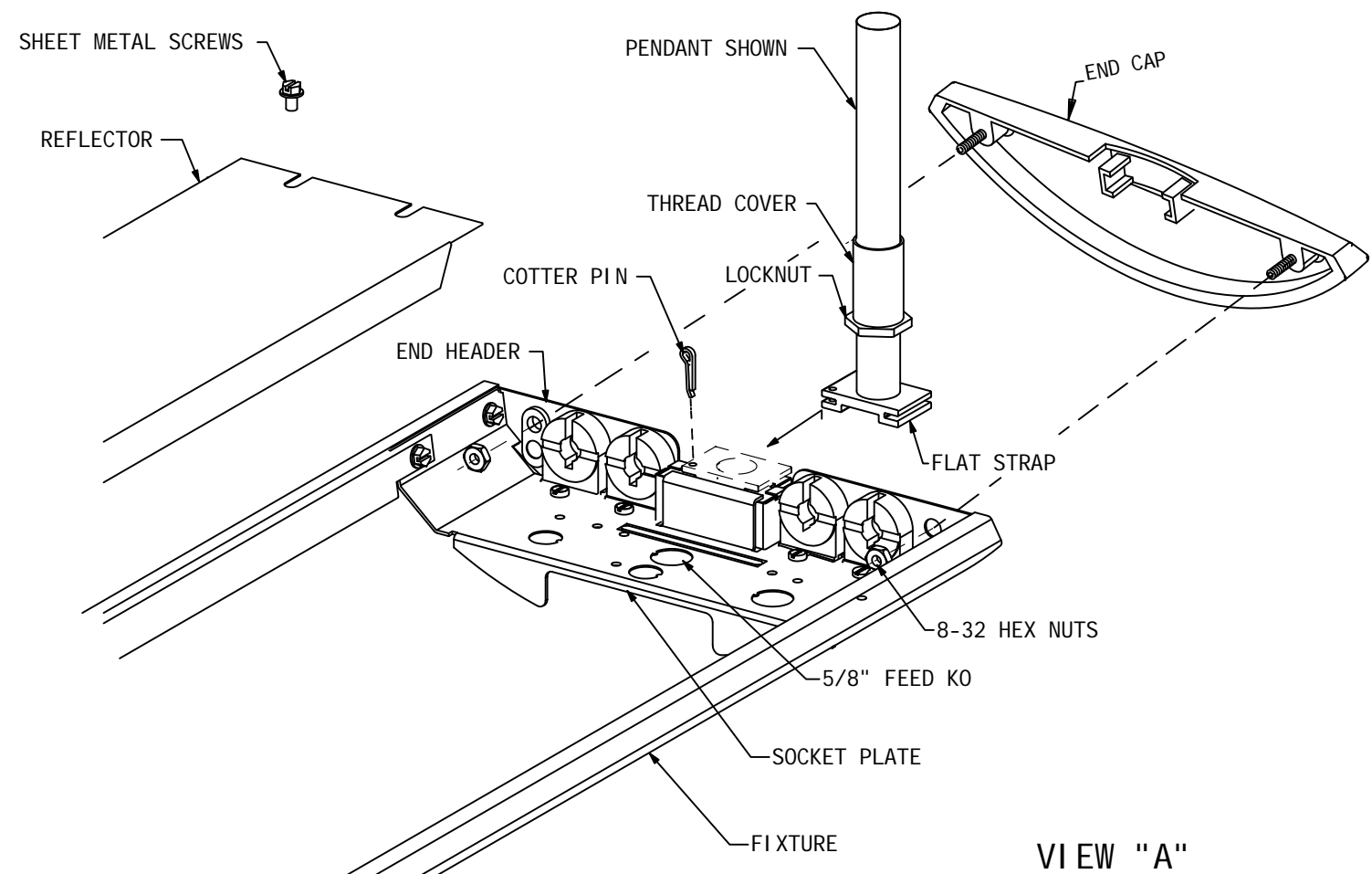
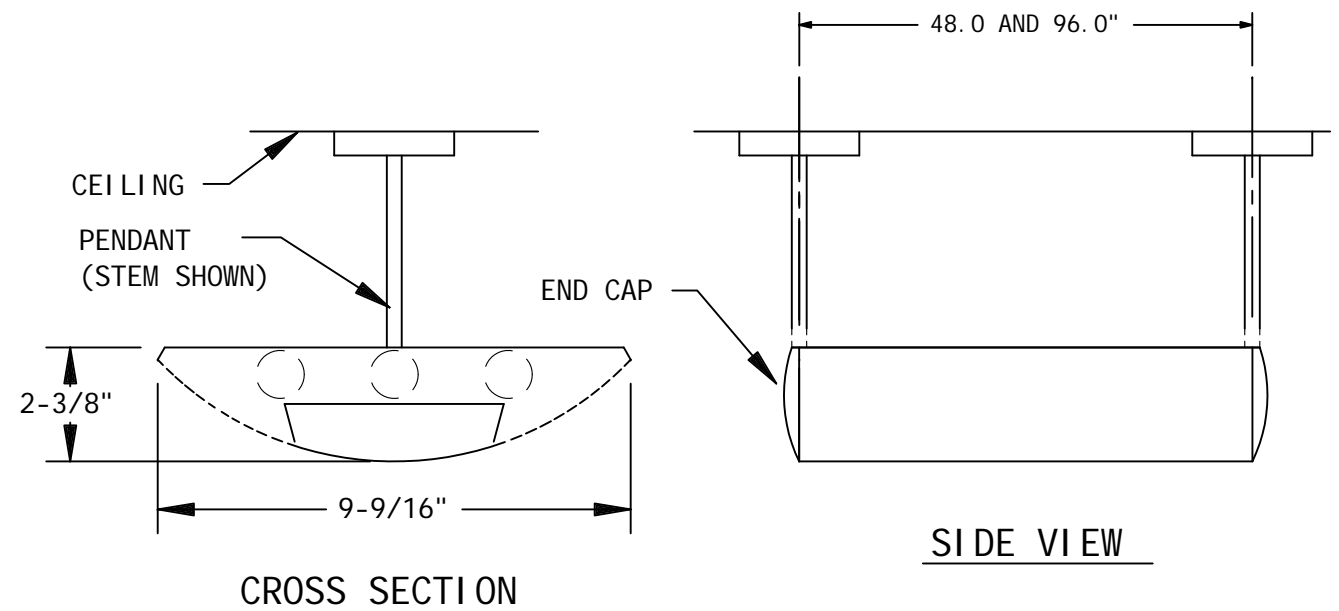
General Notes: Read Instructions completely before starting.

- A. Reflector and lamp types available may vary within this fixture family but the general installation is the same for all P-I-5900 fixtures.
- B. Leaving foam wrapping on fixtures until mounting has been completed will help protect finish from damage.

INSTRUCTIONS:

1. Peel back foam wrapping from fixture and lift reflectors out by removing (1) sheet metal screw at one end and loosening (1) screw at other end of reflector. See View "A".
2. **MOUNTING INDIVIDUAL FIXTURES:** (Pendants are shipped separately)
 - A) Locate pendants (stems or aircraft cables) along a straight line in ceiling per dimensions shown in SIDE VIEW. (Refer to pendant instruction sheet).
 - B) Peel back foam wrapping from both ends of fixture. Remove one 5/8" DIA knockout in housing socket plate for wire feed if aircraft cables are being used to hang fixture (feed may be run inside stems when they are used).
 - C) Slide grooves on sides of Flat Strap onto end of Housing End Header at both ends of fixture. Insert Cotter Pin thru hole in each Strap and Header.
 - D) Slide a Thread Cover onto stems (when used) and thread a locknut onto stem or aircraft cable stud. Thread Pendants into Flat Straps; See View "A".
 - E) Lift fixture and mount pendants to ceiling. Level fixture up or down by threading stems or cable studs into Flat Straps. Tighten locknuts after fixture is level.
 - F) Bring wire feed into fixture and make wiring connections.
 - G) Attach End Cap (shipped separately) by inserting studs on End Cap thru holes in End Headers and aligning grooves on Flat Strap with grooves on End Cap. Secure to fixture end with (2) #8-32 hex nuts.

GO TO STEP 5 ON PAGE 2.



INSTALLATION INSTRUCTIONS

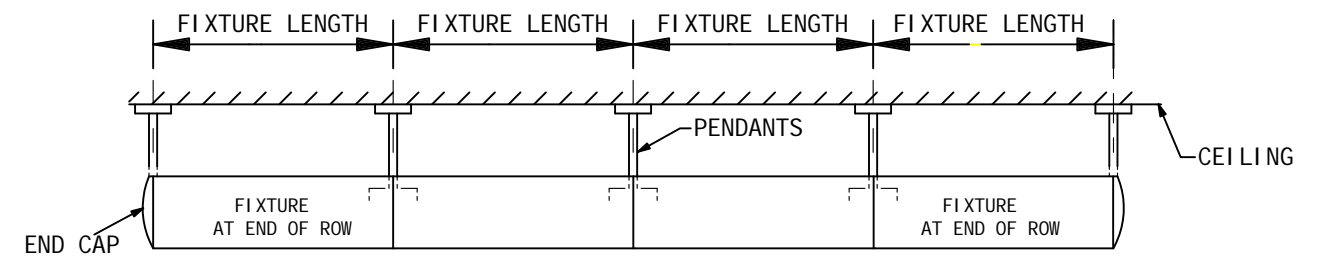
FIXTURE TYPE _____

P-I-5900
FIXTURE ASSEMBLY

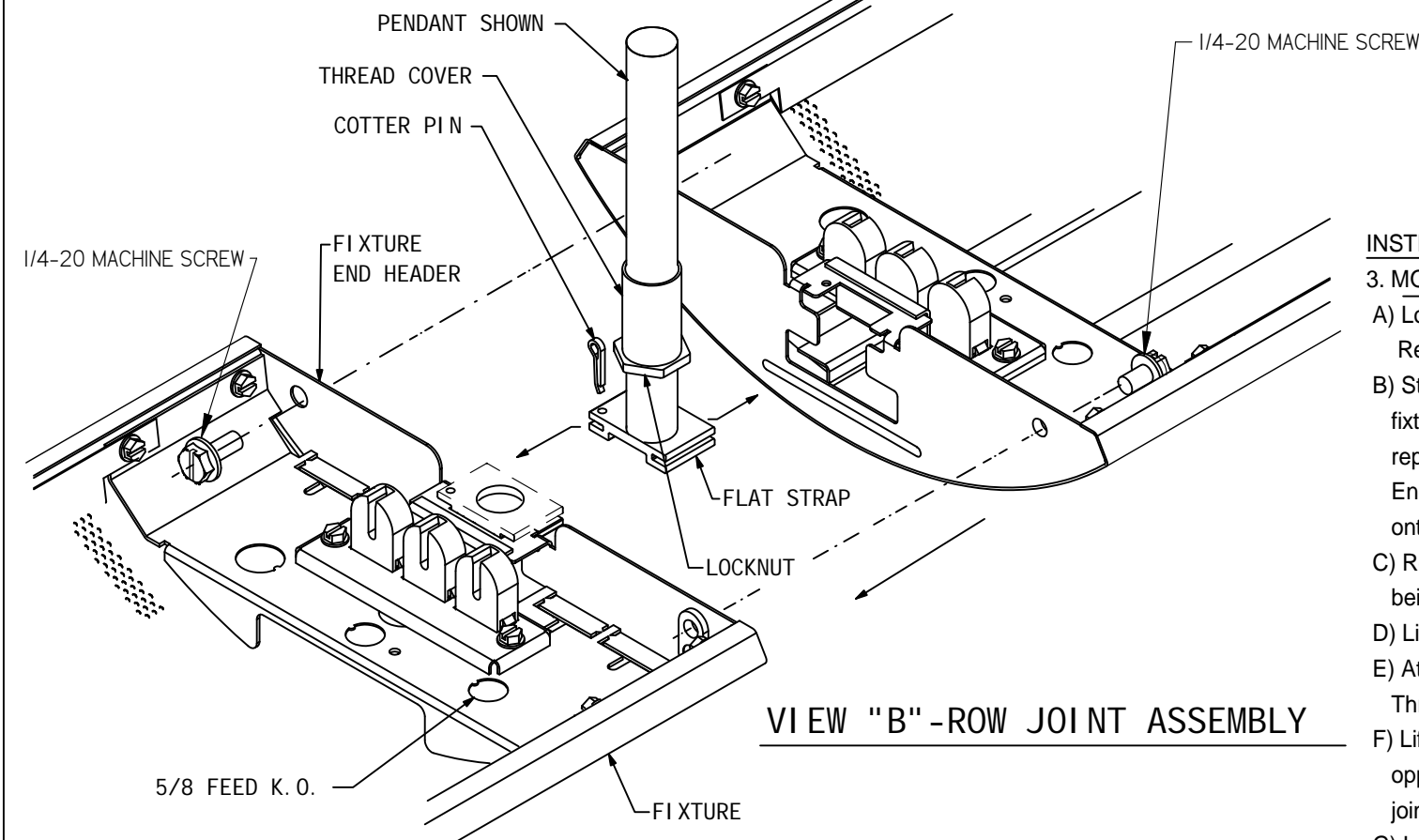
PART NO. 510404-3000

PG. 2
OF 2

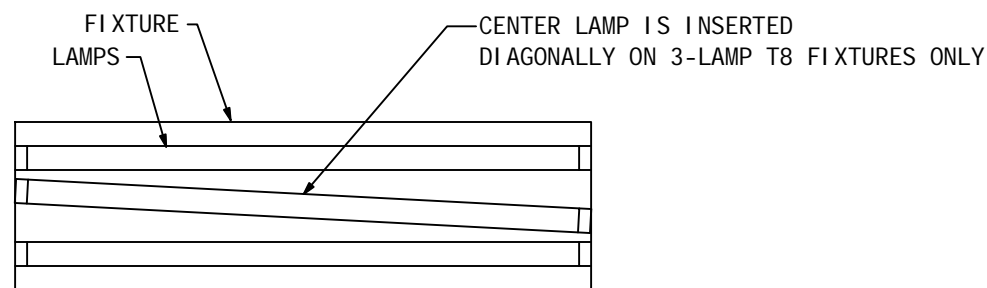
DO NOT MODIFY OR ALTER THIS PRODUCT IN ANY WAY, OR INSTALL IN ANY FASHION WHICH IS CONTRARY TO THE INSTRUCTIONS CONTAINED HEREIN.
IF YOU HAVE ANY QUESTIONS REGARDING THIS PRODUCT OR THE INSTALLATION OF IT, PLEASE CALL LITECONTROL ENGINEERING AT 781-294-0100.



SIDE VIEW-ROW MOUNTED FIXTURES



VIEW "B" -ROW JOINT ASSEMBLY



TOP VIEW - T8 3-LAMP POSITION

INSTRUCTIONS con't:

3. MOUNTING ROWS OF FIXTURES:

- A) Locate pendants in ceiling, along a straight line as shown in Side View above. Refer to Pendant Instruction sheet shipped separately.
 - B) Starting with the fixture at one end of row, attach Flat Straps to ends of fixture, slide grooves on sides of Flat Strap onto end of fixture End Header repeat at opposite of fixture. Insert Cotter pins thru holes in Straps and End Headers. Slide Thread Covers onto stems (when used) and thread a locknut onto stem and aircraft cable stud.
 - C) Remove a 5/8" knockout in Socket Plate for wire feed if aircraft cables are being used to hang fixtures. Feed may be run inside stems when they are used.
 - D) Lift fixture up and mount pendants to ceiling.
 - E) At the far end of the 2nd fixture in row, mount a Flat Strap, Cotter Pin, Thread Cover and locknut to fixture End Header Per step 3B above.
 - F) Lift this fixture up and attach pendant end to ceiling, while sliding opposite end of fixture End Header onto grooves on Flat Strap. Secure fixture joint with 1/4-20 hex head machine screws.
 - G) Level fixtures up or down by threading stems or cable studs into Flat Straps. Level fixtures horizontally by sliding Flat Straps from side to side while lifting up fixture.
 - H) Repeat steps F thru K for each additional fixture in row. After row is hung and leveled, tighten all Flat Strap screws.
4. Wire feed may be brought into abutting fixtures thru wireway opening in End Headers and connectors. Make wiring connections.
 5. Raise and secure all pendant canopies and replace reflectors.
 6. Clean exterior surfaces of fixture with a window cleaner.
Install lamps (by others) by inserting pins into socket and then rotating lamp 90 degrees (by others). Refer to view showing diagonal center lamp position for "T8" 3-Lamp fixtures.