

INSTALLATION INSTRUCTIONS

S-D & P-D-4400 FIXTURE

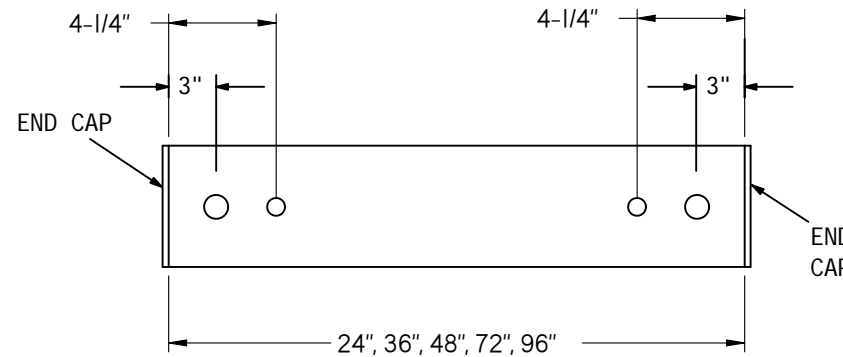
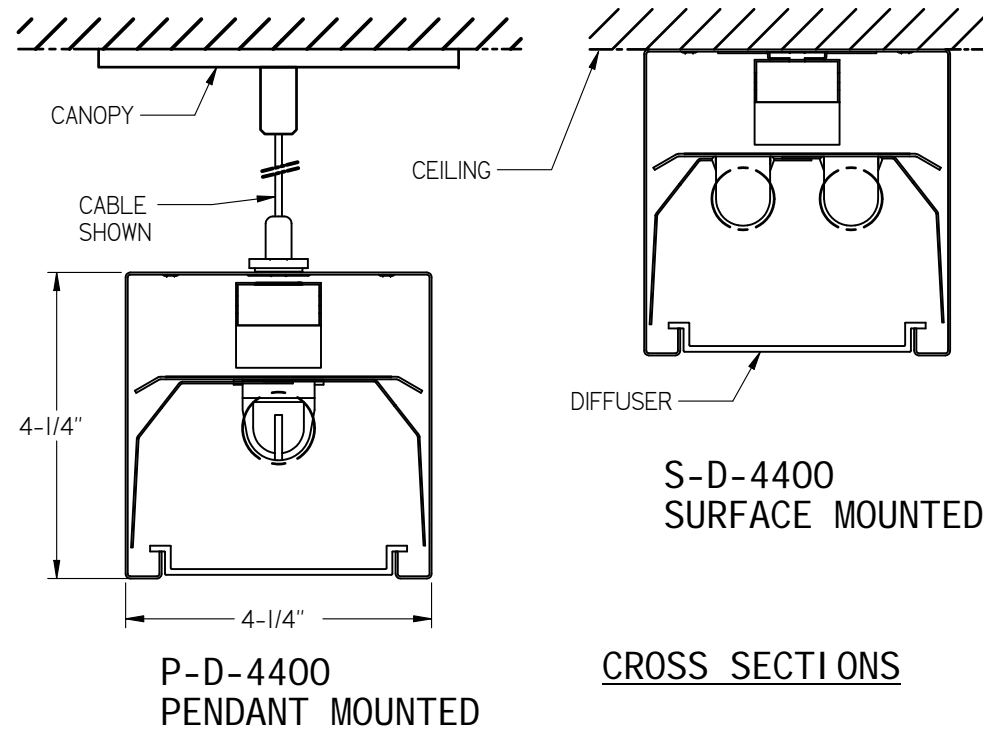
P/C **510467-2000**

DATE: 10-28-08

PG. 1 OF 2

DO NOT MODIFY OR ALTER THIS PRODUCT IN ANY WAY, OR INSTALL IN ANY FASHION WHICH IS CONTRARY TO THE INSTRUCTIONS CONTAINED HEREIN. IF YOU HAVE ANY QUESTIONS REGARDING THIS PRODUCT OR THE INSTALLATION OF IT, PLEASE CALL LITECONTROL ENGINEERING AT 781-294-0100.

FIXTURE TYPE _____



FOR SURFACE MOUNTING

○ = 5/8" KO FOR 1/4" DIA ANCHOR SCREW

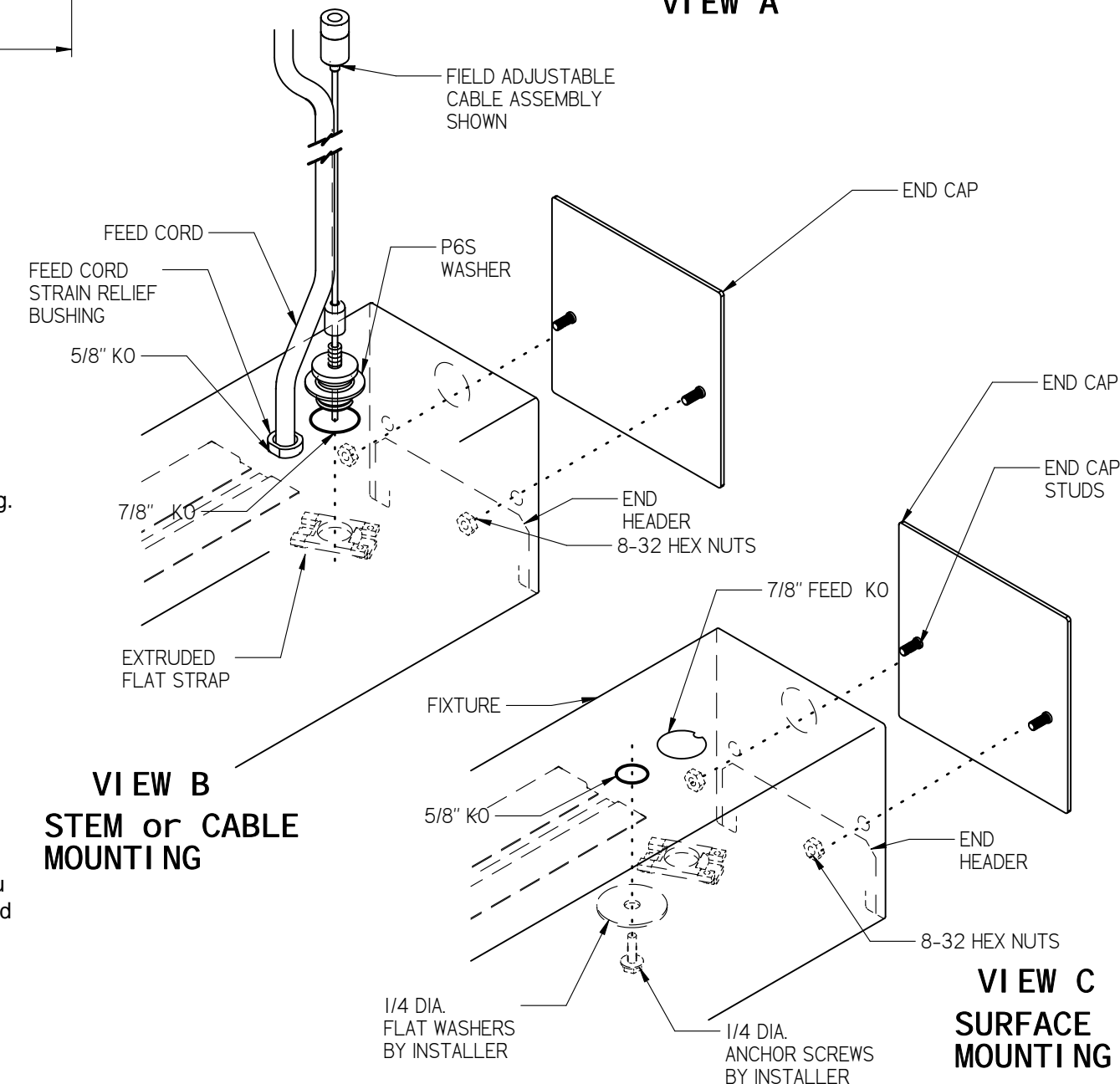
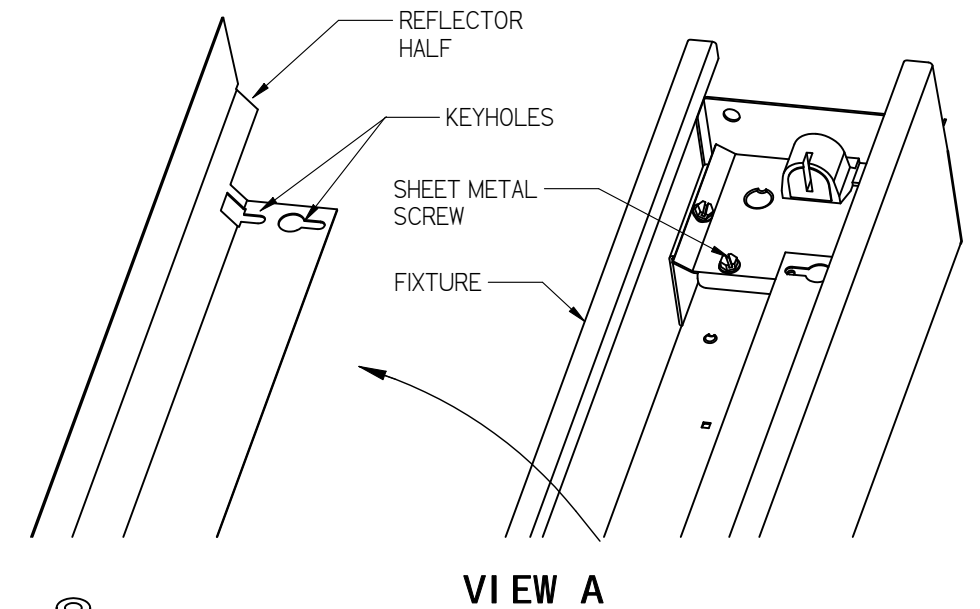
○ = 7/8" DIA. ELECTRICAL FEED KO'S

FOR STEM OR CABLE MOUNTING

○ = 5/8" FEED CORD KO'S

○ = 7/8" KO'S FOR CABLE OR STEMS

PLAN VIEW



GENERAL NOTES: (READ SHEETS COMPLETELY BEFORE STARTING)

1. Leave protective wrapping material on fixture until fixtures are mounted: This will protect finish from damage.
2. Fixtures are supplied with factory installed branch circuit wiring. Refer to supplemental instruction sheet for making connections.
3. Pendant mounted fixtures (P-D-4400) are the same as Surface Mounted Fixtures (S-D-4400), with the exception of how they are installed to ceiling. Approximate weight of fixture is 5 lbs per foot of length.

INSTRUCTIONS:

1. Remove Reflector Halves from fixture by loosening (2 or 4) sheet metal screws and shifting them out thru keyholes. See View "A".
2. **MOUNTING INDIVIDUAL FIXTURES:**
 - A) Determine the method of mounting (Surface, Cable or Stem) and remove correct knockouts in top of housing as shown in Plan View above. Stem mounting does not require the removal of the 5/8" KO's. Electrical feed may be brought thru the stems. Two anchor screws (supplied by installer) or cables/stems (supplied by Litecontrol) are required per fixture. Refer to Views "B" or "C".
 - B) Mount End Caps (shipped separately) to both ends of fixture with (2) 8-32 nuts as shown. Before tightening nuts, position End Caps so they are flush with sides of fixture.
 - C) **For SURFACE MOUNTING:** Lift fixture up near ceiling and bring electrical feed thru 7/8" KO and into fixture wireway. Raise fixture up flush to ceiling and secure with (2) anchor screws and washers thru 5/8" KO's into ceiling structure. **For CABLE/STEM MOUNTING:** Refer to instruction sheet shipped with Cables and Stems for attachment at ceiling. Mount Cable or Stems thru 7/8" ko's and secure with extruded Flat Strap. Raise fixture up to ceiling and attach to Canopy hardware. Attach Strain Relief to Feed Cord and insert bushing into 5/8" ko. Level Fixture by adjusting Stem locknuts or Cable grippers.
 - D) Make electrical connections in fixture wireway.

GO TO STEP 5 ON PAGE 2

INSTALLATION INSTRUCTIONS

S-D & P-D-4400 FIXTURE

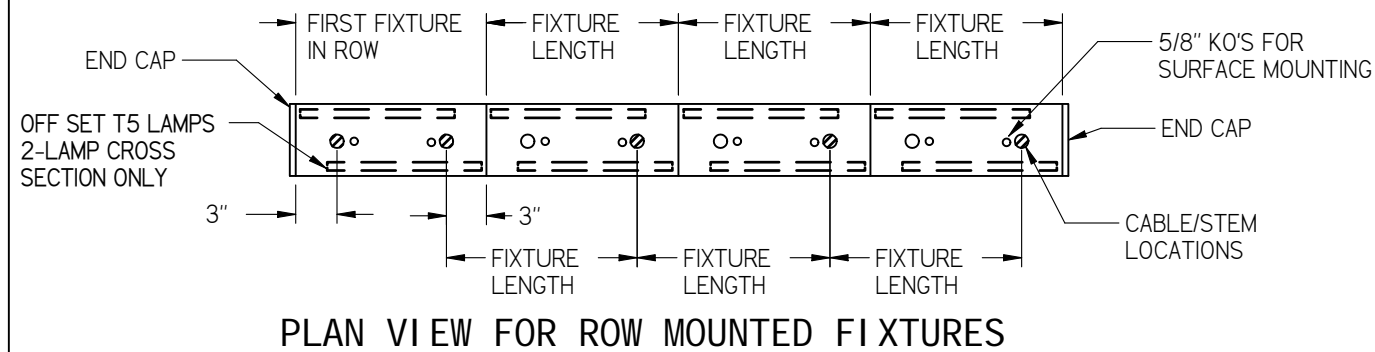
FIXTURE TYPE _____

P/C **510467-2000**

DATE: 10-28-08

PG. 2 OF 2

DO NOT MODIFY OR ALTER THIS PRODUCT IN ANY WAY, OR INSTALL IN ANY FASHION WHICH IS CONTRARY TO THE INSTRUCTIONS CONTAINED HEREIN. IF YOU HAVE ANY QUESTIONS REGARDING THIS PRODUCT OR THE INSTALLATION OF IT, PLEASE CALL LITECONTROL ENGINEERING AT 781-294-0100.



3. MOUNTING ROWS OF FIXTURES:

NOTE: Fixtures are installed connected to each other at row joint per steps below. Two lamp cross section fixtures have offset lamp locations, position fixtures in rows as shown above.

- A) Refer to Plan View above and on page 1 for locations of ko's that require removal for each fixture. Non-feed Cable/Stem mounted fixtures do not require removal of 5/8" KO's. Non-feed Surface mounted fixtures do not require removal of 7/8" KO's
- B) Starting with the first fixture in row, attach an End Cap to one end of fixture per step 2B.
- C) Lift and install first fixture to ceiling per step 2C.
- D) **FOR CABLE/STEM MOUNTING:** Remove the appropriate 7/8" KO in the top of the next fixture in the row as shown above and attach (1) Cable or Stem. Lift fixture up and mount to canopy hardware or anchor stud: See View "D". **FOR SURFACE MOUNTING:** Remove both 5/8" KO's in top of the next fixture in the row and attach to ceiling per Step 2C. Loosely bolt this fixture to the first fixture at row joint with (2) 1/4-20 x 3/8" long machine screws and nuts. Branch circuit wires can be brought thru 7/8" holes in end headers at each row joint.
- E) Press a Spline (found in polybag) into each bottom rail at row joint for alignment.
- F) Level each fixture and align seams at row joint before tightening all screws.
- G) Repeat steps 3D, 3E, & 3F for each additional fixture in row. Install another End Cap onto the last fixture in the row before installing to ceiling.

- 4. Make all wiring connections in fixture wireways.
- 5. Replace all Reflector Halves and remove all wrapping material.
- 6. Clean fixture exteriors with a general window cleaner and install lamps (by others). Install lamps by inserting lamp pins into sockets and rotating lamp 90 degrees to lock in place.

7. DIFFUSER INSTALLATION:

Use caution when installing diffusers to prevent lamp damage.

- A) PARABOLIC BAFFLES (PBSS or PBCWM) are shifted into fixture opening and lowered into place by pulling down on baffle until lip sits on bottom rails
- B) LENSES and BLADE BAFFLES are shifted into fixture opening and rest on top of bottom rails. Lenses are installed with the smooth side up.

