

**INSTALLATION INSTRUCTIONS**

FIXTURE TYPE \_\_\_\_\_

**FAI/ACC/F2, PID-5900/9800  
FIELD ADJUSTABLE AIRCRAFT  
CABLE ASSEMBLIES - TWO FEEDS**

P/C **510504-0000**

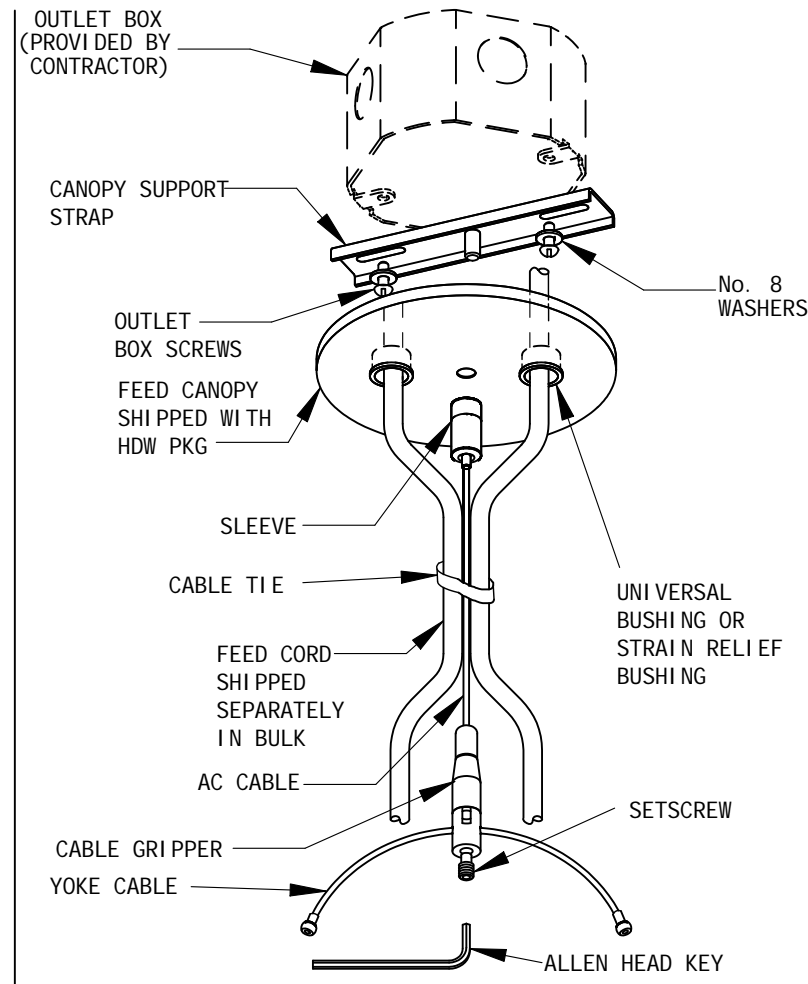
DATE: 4-6-06

PG. 1 OF 1

DO NOT MODIFY OR ALTER THIS PRODUCT IN ANY WAY, OR INSTALL IN ANY FASHION WHICH IS CONTRARY TO THE INSTRUCTIONS CONTAINED HEREIN.  
IF YOU HAVE ANY QUESTIONS REGARDING THIS PRODUCT OR THE INSTALLATION OF IT, PLEASE CALL LITECONTROL ENGINEERING AT 781-294-0100.

**GENERAL NOTES:**

- See individual fixture sheets for locations of cables  
The FAI/ACC/TF assembly is made to install over a 3-1/2" x 2-1/8" deep Octagonal ceiling box.
- WARNING:** The National Electric requires that any fixture weighing more than 50 lbs be independently supported of an outlet box.
- Fixtures in rows must be supported by a minimum of one cable at the junction of each two fixtures plus one at each end of row. This is considered by "Underwriters Laboratories" as equivalent to two cables per fixture.
- These fixture supports are to be used only in conjunction with LITECONTROL products for which they were furnished. DO NOT use them for support of any other items or in any fashion which is contrary to this instruction sheet.
- Cable assemblies are bulk packaged and assembled as shown in View "A". Cables are provided in three lengths for fixture to ceiling heights of 6"- 48", 6"- 87" and 6"- 216".



**PREPARATION OF CABLE ASSEMBLY:**

- Unscrew cap from cable gripper as shown in View "A".
- Determine the distance from the ceiling to the top of the fixture and subtract 3" as shown. This is an approximate ceiling to fixture distance, final adjusting will be made after fixtures are hung.

Slide gripper to length \*\*, by pressing down on the spring loaded top. Do not screw cap back on at this time

**1. INSTALLATION OF AIRCRAFT CABLE ASSEMBLIES TO CEILING: (Refer to view above)**

Making sure that outlet box is flush with ceiling, mount Canopy Support Strap to outlet box. Make wiring connections to feed cords in box and let feed cords hang down. Snap universal bushings into canopy and raise canopy to support strap while feeding cords thru bushings.

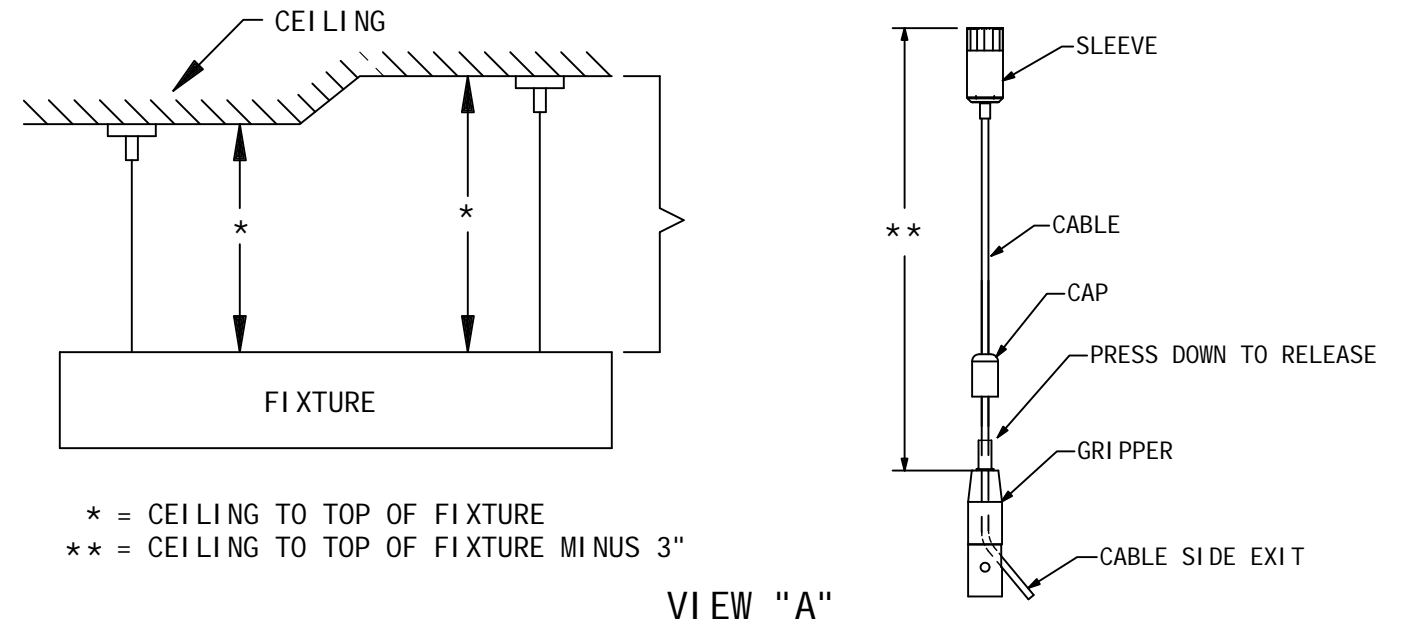
**2. INSTALLATION OF FIXTURES TO AIRCRAFT CABLE:**

Refer to fixture instruction sheet to prepare fixture for hanging with yoke cables.

- Remove 5/8" KO's in Socket Plate or in Support Angle to insert the 2 feed cords.

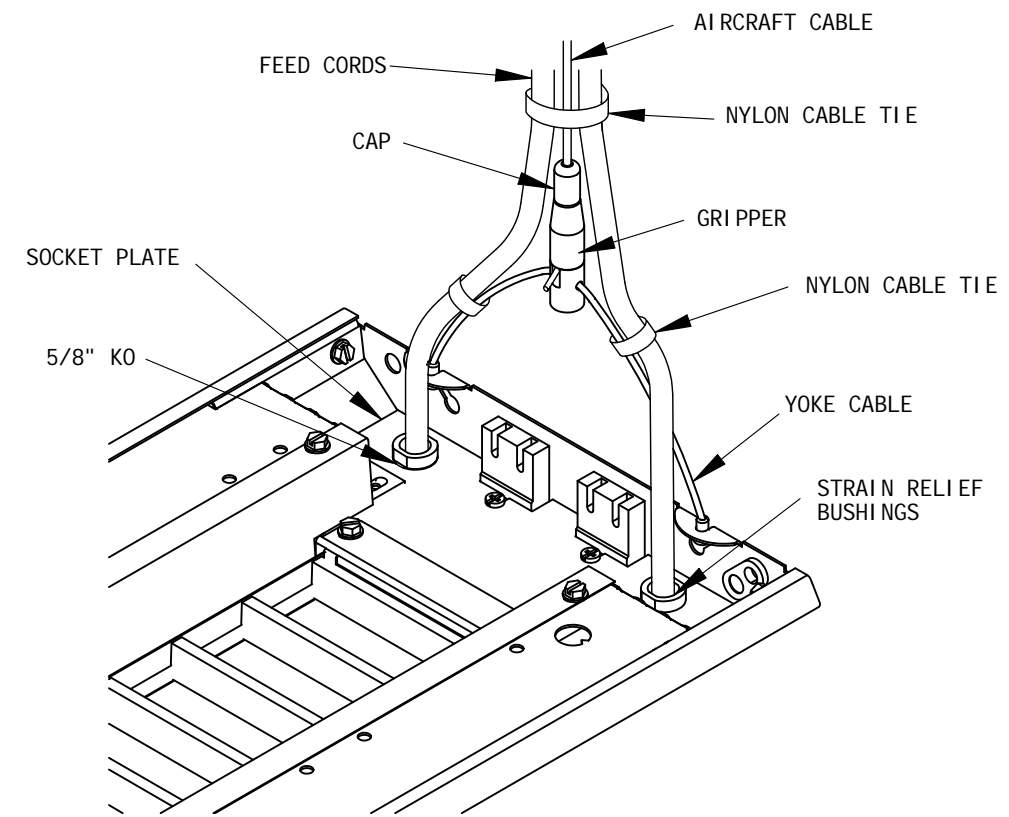
Note: Fixtures may be supplied with factory drilled holes for second feed cord.

- Lift fixture up and thread cable sleeves onto studs in Canopy Support Straps.
- While holding fixture, adjust Gripper up or down on cables to position fixture in its final location. Thread caps back on grippers.
- Trim off any excess cable exiting side of gripper.



\* = CEILING TO TOP OF FIXTURE  
\*\* = CEILING TO TOP OF FIXTURE MINUS 3"

VIEW "A"



VIEW "B"

PID-5900 SHOWN, INSTALLATION IS SIMILAR FOR PID-9800

**7. INSTALLATION OF FEED CORDS INTO FIXTURE: Refer to View "B"**

- Feed Cords are inserted thru 5/8" holes or knockouts in fixture. Run feed cords down along aircraft cable and insert into holes with strain relief bushings. Both straight and 90 degree angled bushings have been provided, use the ones that best suits your particular feed cord routing situation and discard others.
- Make wiring connections inside fixture wireway in accordance with the NEC and any local codes.
- Using the nylon cable ties provided, secure feed cords to aircraft cable every 4-5". Trim off excess ends of ties.