

INSTALLATION INSTRUCTIONS

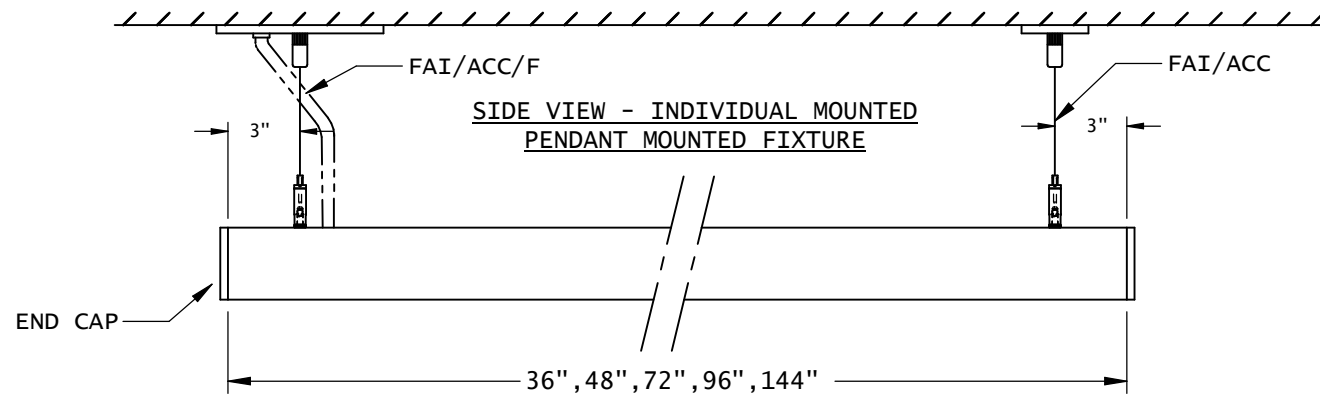
**P-D & S-D-0200
FIXTURE ASSEMBLY**

P/C 510531-3000

PG. 1 OF 2

FIXTURE TYPE _____

DO NOT MODIFY OR ALTER THIS PRODUCT IN ANY WAY, OR INSTALL IN ANY FASHION WHICH IS CONTRARY TO THE INSTRUCTIONS CONTAINED HEREIN. IF YOU HAVE ANY QUESTIONS REGARDING THIS PRODUCT OR THE INSTALLATION OF IT, PLEASE CALL LITECONTROL ENGINEERING AT 781-294-0100.



GENERAL NOTES: (READ SHEETS COMPLETELY BEFORE STARTING)

1. Leave protective wrapping material on fixture until fixtures are mounted: This will protect finish from damage.
2. Fixtures are supplied with factory installed branch circuit wiring. Refer to supplemental instruction sheet for making connections.
3. Fixtures are hung with aircraft cables only. Cables are shipped separately.
Refer to installation instructions for mounting to ceiling. Approximate weight of fixture is 2.0 lbs per foot of length.

INSTRUCTIONS:

1. MOUNTING INDIVIDUAL FIXTURES:

Cable Suspension: (Pendants are shipped separately)

- A) Locate aircraft cables along a straight line in ceiling per dimensions shown in SIDE VIEW. (Refer to cable instruction sheet 510541).
- B) Peel back foam wrapping and remove Reflectors by removing sheet metal screws (See View B).
- C) Insert Flat Strap into fixture at cable location as shown and thread Gripper into strap (See View A). Repeat at opposite end of fixture.
- D) Attach End Caps (shipped separately) to each end by inserting studs on End Cap thru holes in End Headers. Secure to fixture end with (2) #8-32 hex nuts. Before tightening nuts, position End Caps so they are flush with sides of housing. See View "A".
- E) Lift fixture and mount pendants to ceiling. Level fixture by adjusting gripper up or down on cable to position fixture in its final location. Refer to cable instruction sheet 510541.
- F) Attach Strain Relief Bushing to Feed Cord and insert bushing into 7/8" hole & make wiring connections.

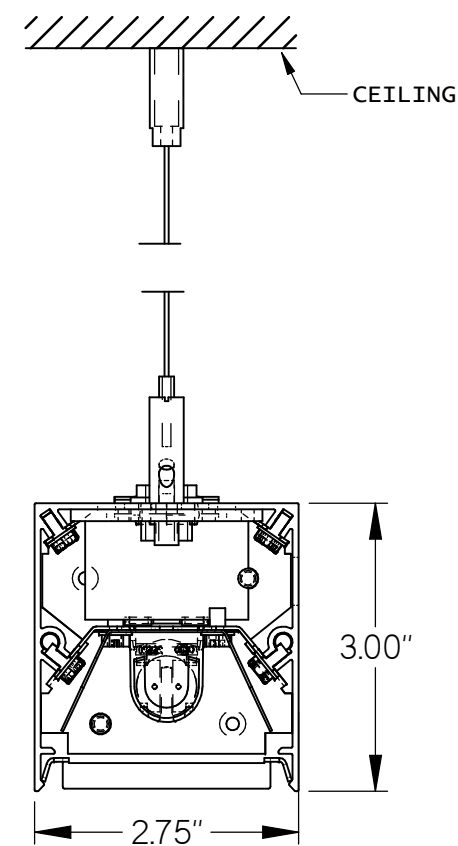
Surface Mount: (Anchor screws supplied by Installer)

- A) Peel back foam wrapping and remove Reflectors by removing sheet metal screws (See View B). Attach end caps per step 1D.
- B) Lift fixture up near ceiling & bring electrical feed thru 7/8" hole & into fixture wiring.
- C) Raise fixture up flush to ceiling & secure with (2) anchor screws & washers thru 5/16" holes into ceiling structure.
- D) Make electrical connections in fixture wiring.

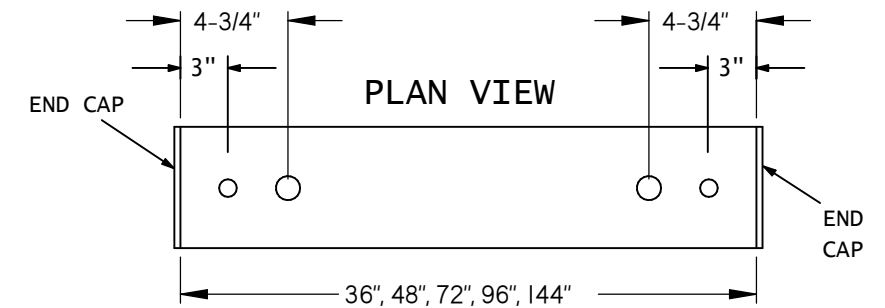
GO TO STEP 3 ON PAGE 2.

LITECONTROL

www.Litecontrol.com



CROSS SECTION

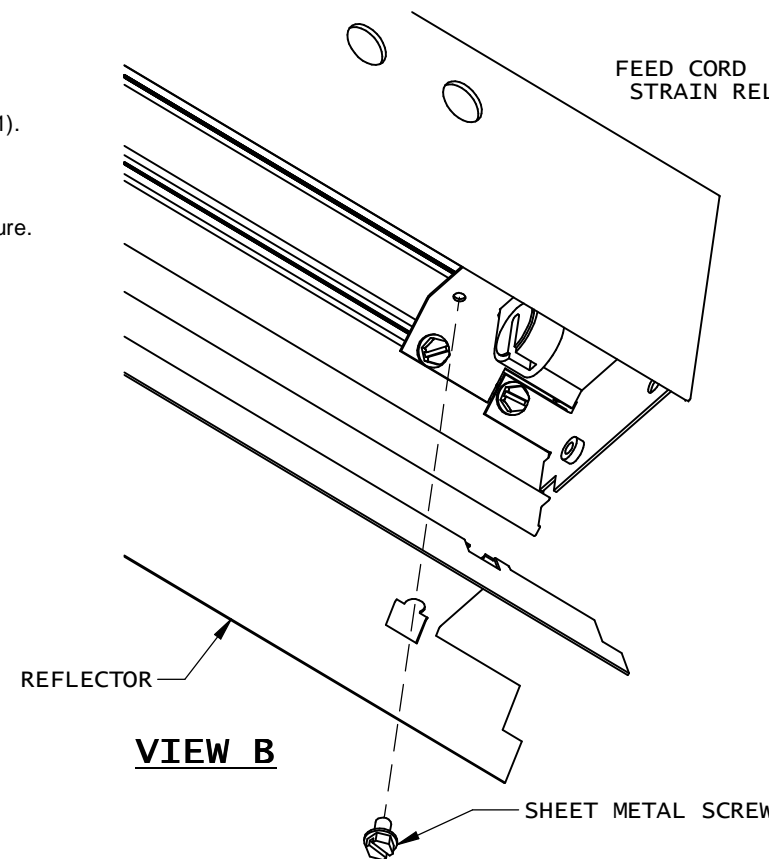


FOR SURFACE MOUNTING

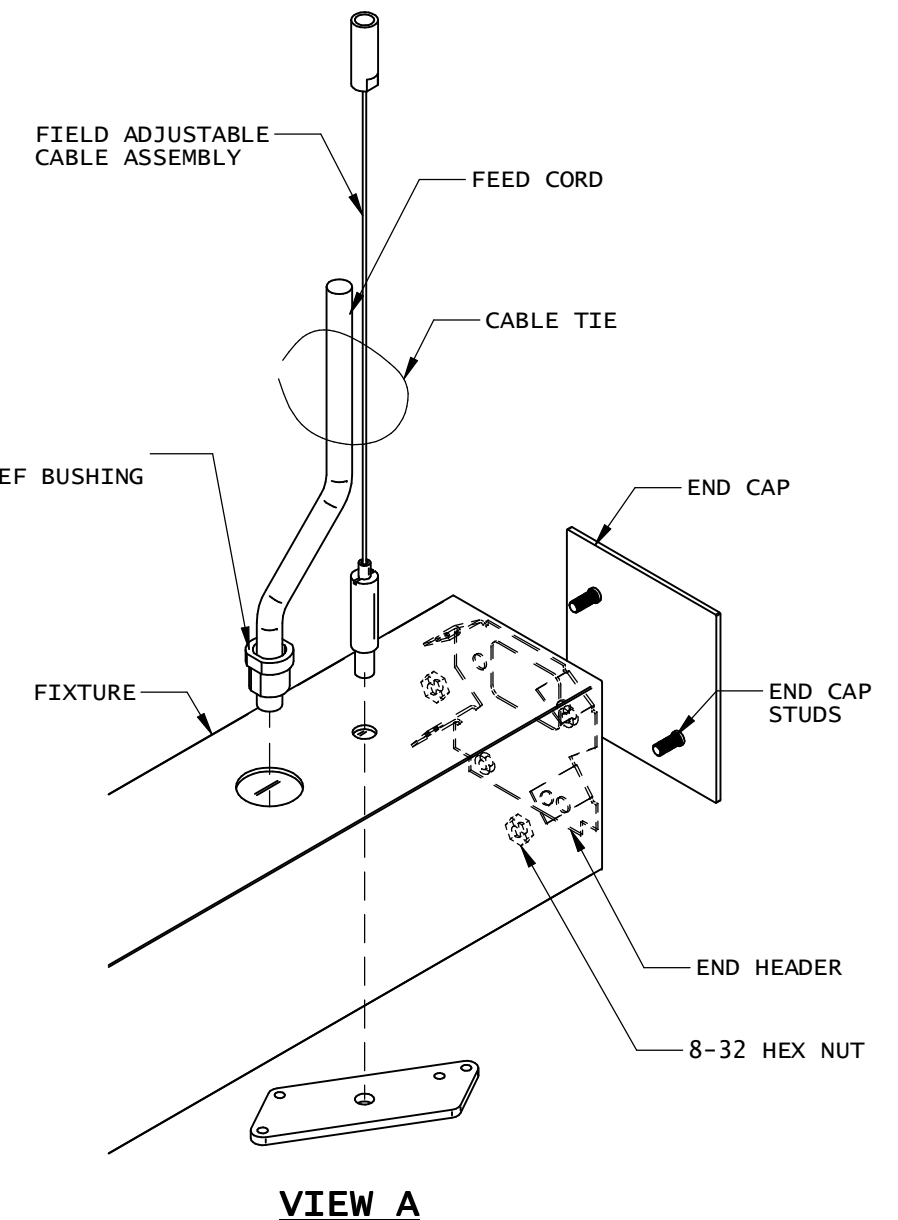
- = 5/16" DIA. FOR ANCHOR SCREW
- = 7/8" DIA. FOR ELECTRICAL FEED

FOR CABLE MOUNTING

- = 5/16" DIA. FOR CABLE
- = 7/8" DIA. FOR ELECTRICAL FEED



VIEW B



VIEW A

INSTALLATION INSTRUCTIONS

FIXTURE TYPE _____

**P-D & S-D-0200
FIXTURE ASSEMBLY**

P/C 510531-3000

PG. 2 OF 2

DO NOT MODIFY OR ALTER THIS PRODUCT IN ANY WAY, OR INSTALL IN ANY FASHION WHICH IS CONTRARY TO THE INSTRUCTIONS CONTAINED HEREIN. IF YOU HAVE ANY QUESTIONS REGARDING THIS PRODUCT OR THE INSTALLATION OF IT, PLEASE CALL LITECONTROL ENGINEERING AT 781-294-0100.

INSTRUCTIONS CONTINUED FROM PAGE 1

2. MOUNTING ROWS OF FIXTURES:

Cable Suspension (Pendants are shipped separately)

- A) Locate aircraft cables in ceiling, along a straight line as shown in Side View. Refer to Cable Instruction sheet 510541.
- B) Starting with the fixture at one end of row, attach Cable assemblies to fixture per step 1C on page 1.
- C) Attach End Cap to one end of fixture per step 1D on page 1. At opposite end of fixture insert dowel pins into fixture extrusion as shown.
- D) Lift fixture up and mount cable to ceiling. Refer to cable instruction sheet 510541.
- E) At the far end of the 2nd fixture in row, attach another cable assembly.
- F) Lift this fixture up and attach cables to ceiling. At fixture joint, align dowel pins and insert into adjoining fixture. Secure fixture joint with 8-32 hex head machine screws as shown in View "C".
- G) Level fixtures by adjusting gripper up or down on cable to position fixture in its final location. Level fixtures
- H) Repeat steps F thru H for each additional fixture in row.
- I) Attach another End Cap over open end of the last fixture in row.
- J) Attach Strain Relief Bushing to Feed Cord and insert bushing into 7/8" hole in top of housing and make wiring connections. Wire feed may be brought into abutting fixtures through wireway opening in End Headers. Make wiring connections.

Surface Mount: (Anchor screws supplied by Installer)

- A) Mount the first fixture in the row per steps 1A-1C. End caps will be attached to each end of row as shown in SIDE VIEW- ROW MOUNTED. Electrical feed can be at any 7/8" hole location in row.
- B) Mount the next fixture in the row per steps 1A-1C. At fixture joint, align dowel pins and insert into adjoining fixture. Secure fixture joint with 8-32 hex head machine screws as shown in View "C". Repeat this step for each additional fixture in row.
- C) Branch circuit wires can be brought through rectangular cutouts in end headers at each row joint. Make electrical connections in fixture wireway.

3. Replace Reflectors and install Plug Buttons into any unused cable and feed holes as shown in View "C". Clean fixture exteriors with a general window cleaner and install lamps (by others) by inserting lamp pins into sockets until they seat in place. For T5 lamps, insert pins into socket and rotate lamp 90°.

4. INSTALLATION OF DIFFUSER

- A) Snap in BW baffle or SGL lense into bottom of housing as shown. To remove baffle, pull down from blades at center of baffle. To remove SGL lense, insert screw driver or flat head pry tool at end of lense and pull down as shown in View "D".

