

INSTALLATION
INSTRUCTIONS

FIXTURE TYPE _____

SUPPORT RAIL
WALLSLOT 2000

P/C 510573-2000

PG. 1 OF 3

DO NOT MODIFY OR ALTER THIS PRODUCT IN ANY WAY, OR INSTALL IN ANY FASHION WHICH IS CONTRARY TO THE INSTRUCTIONS CONTAINED HEREIN. IF YOU HAVE ANY QUESTIONS REGARDING THIS PRODUCT OR THE INSTALLATION OF IT, PLEASE CALL LITECONTROL ENGINEERING AT 781-294-0100.

REFER TO PAGE 2 FOR 8400 SERIES FIXTURES, PAGE 3 FOR 2100 SERIES.

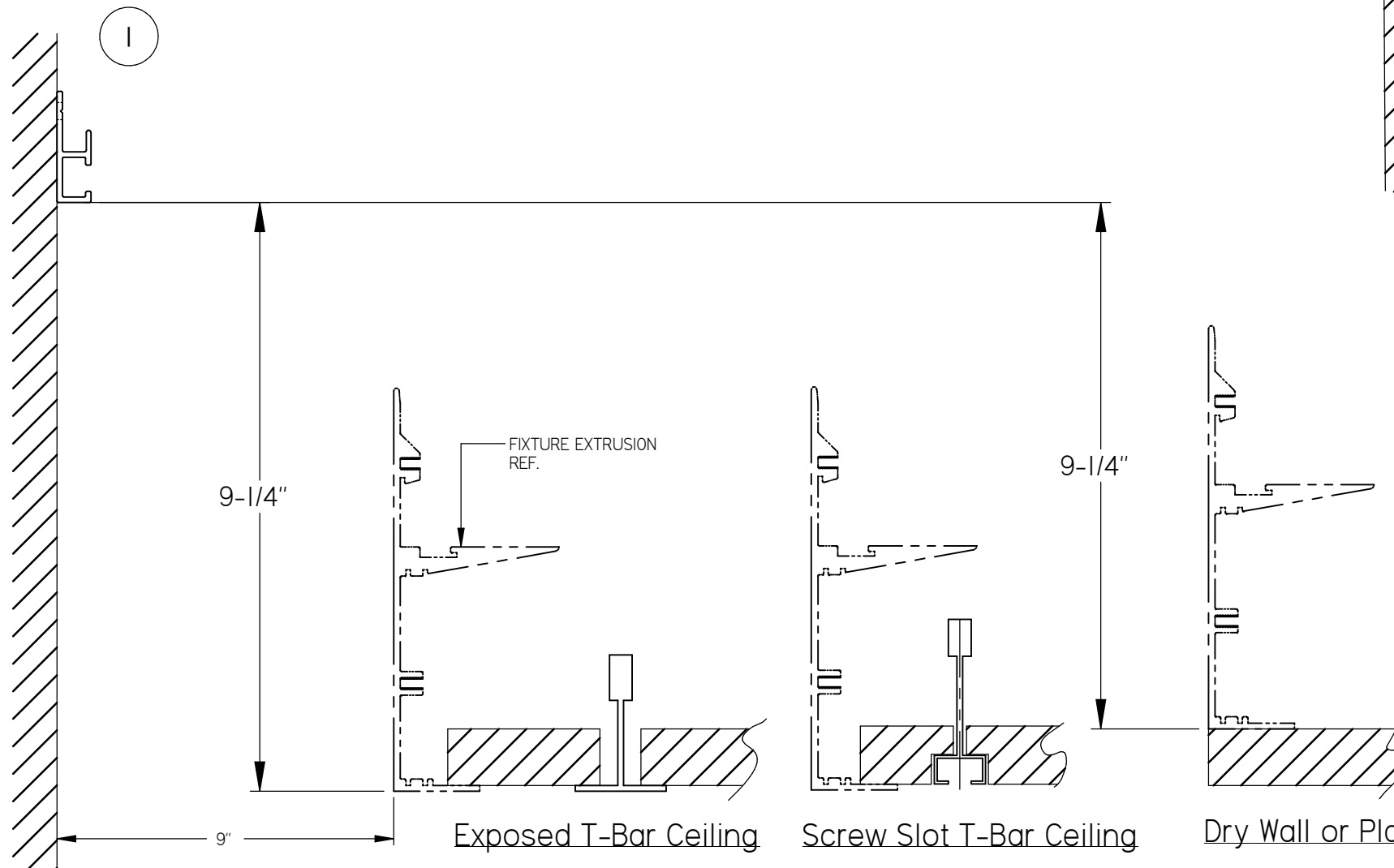
NOTES: PRIOR TO STARTING:

- A. WALL SURFACE SHOULD BE FINISHED A MINIMUM OF 11" ABOVE CEILING.
- B. SUPPORT RAILS ARE SHIPPED IN 96" LENGTHS: SAWCUT TO SUIT FIELD CONDITIONS. SPLINE KEYS ARE SHIPPED INSTALLED IN RAIL.

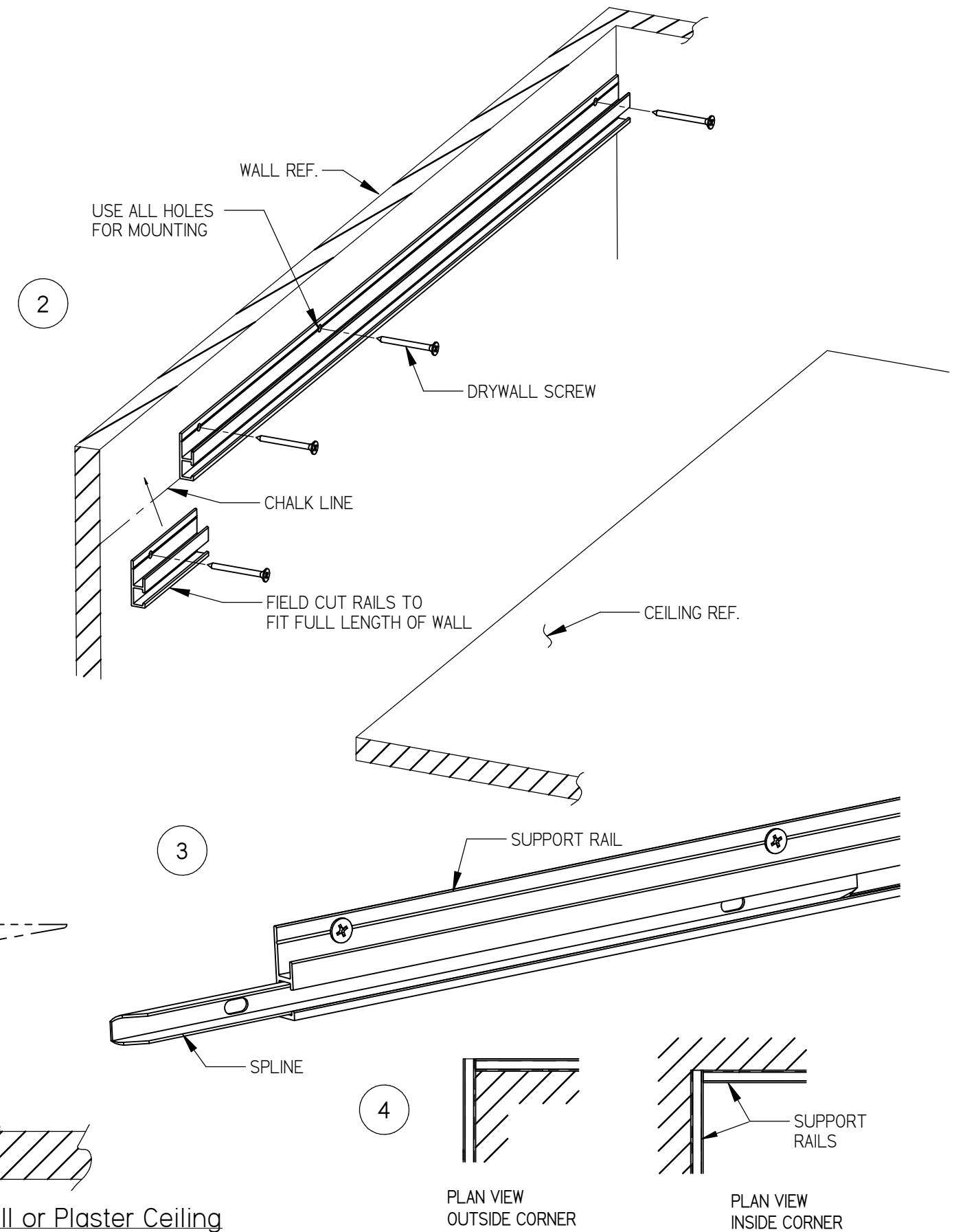
INSTRUCTIONS:

IMPORTANT: CORRECT LOCATION IS BASED ON CEILING TYPE BEING USED. SEE BELOW

1. CHALK A LEVEL LINE 9-1/4" ABOVE CEILING TYPE ALONG FULL LENGTH OF WALL FOR POSITIONING THE BOTTOM EDGE OF THE SUPPORT RAIL.
2. PLACE BOTTOM EDGE OF SUPPORT RAIL ON CHALK LINE AND FASTEN TO WALL WITH DRYWALL SCREWS.
3. MOUNT SUPPORT RAILS TO WALL, INSERTING SPLINE KEYS BETWEEN RAIL ENDS AS EACH LENGTH IS ADDED. SHIM BEHIND SUPPORT RAILS WHEN NECESSARY TO FORM A CONTINUOUS STRAIGHT RAIL.
4. BUTT RAIL TO RAIL AT CORNERS.



Refer to Wallsot 2000 Pre-Installation Manual for ceiling interface



LITECONTROL

100 HAWKS AVENUE - HANSON MA 02341, (781-294-0100)

www.litecontrol.com

INSTALLATION
INSTRUCTIONS

FIXTURE TYPE _____

SUPPORT RAIL
WALLSLOT 8400

P/C 510573-2000

PG. 2 OF 3

DO NOT MODIFY OR ALTER THIS PRODUCT IN ANY WAY, OR INSTALL IN ANY FASHION WHICH IS CONTRARY TO THE INSTRUCTIONS CONTAINED HEREIN.
IF YOU HAVE ANY QUESTIONS REGARDING THIS PRODUCT OR THE INSTALLATION OF IT, PLEASE CALL LITECONTROL ENGINEERING AT 781-294-0100.

REFER TO PAGE 1 FOR 2000 SERIES FIXTURES, PAGE 3 FOR 2100 SERIES.

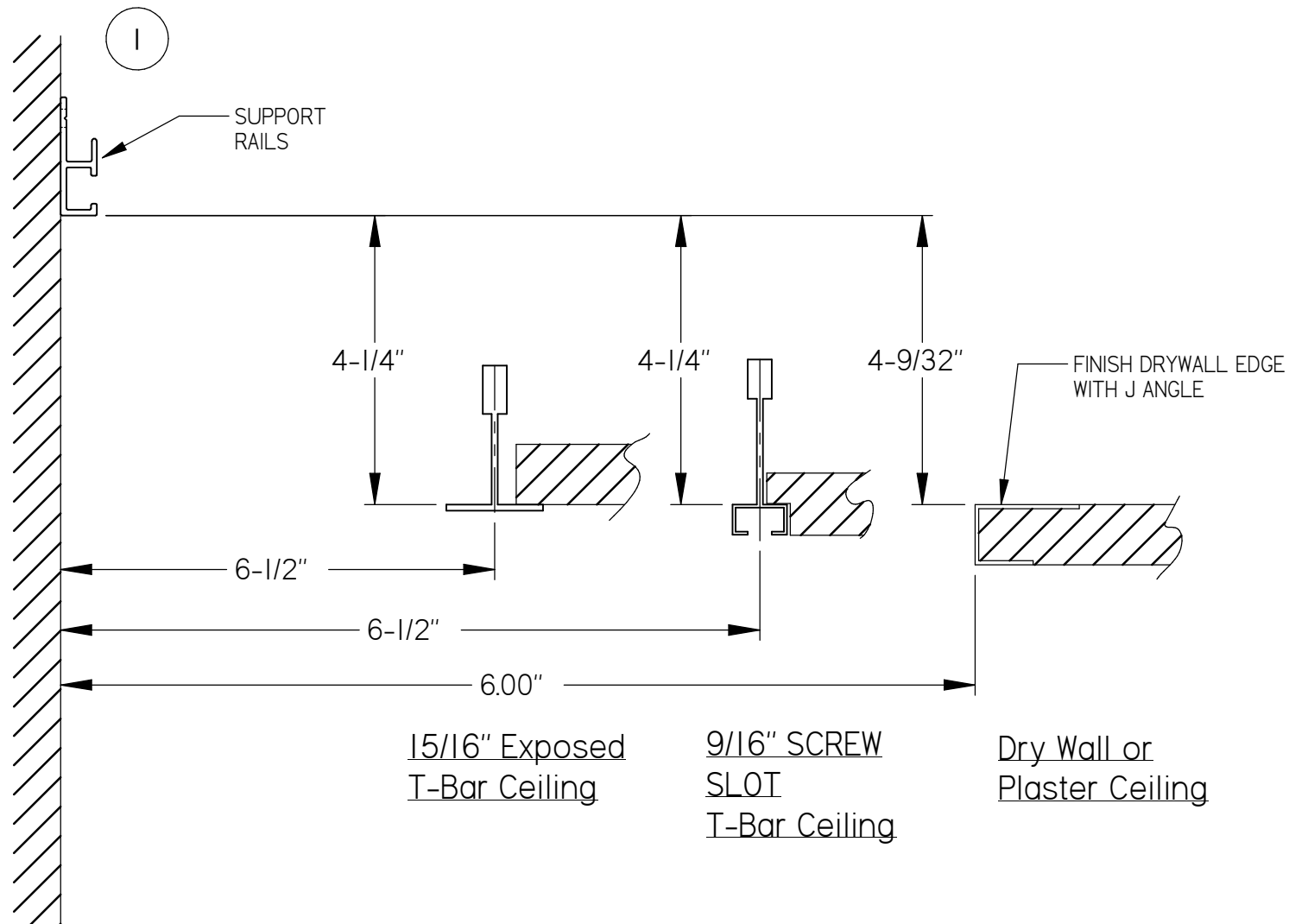
NOTES: PRIOR TO STARTING

- A. WALL SURFACE SHOULD BE FINISHED A MINIMUM OF 7" ABOVE CEILING.
- B. SUPPORT RAILS ARE SHIPPED IN 96" LENGTHS: SAWCUT TO SUIT FIELD CONDITIONS. SPLINE KEYS ARE SHIPPED INSTALLED IN RAIL.

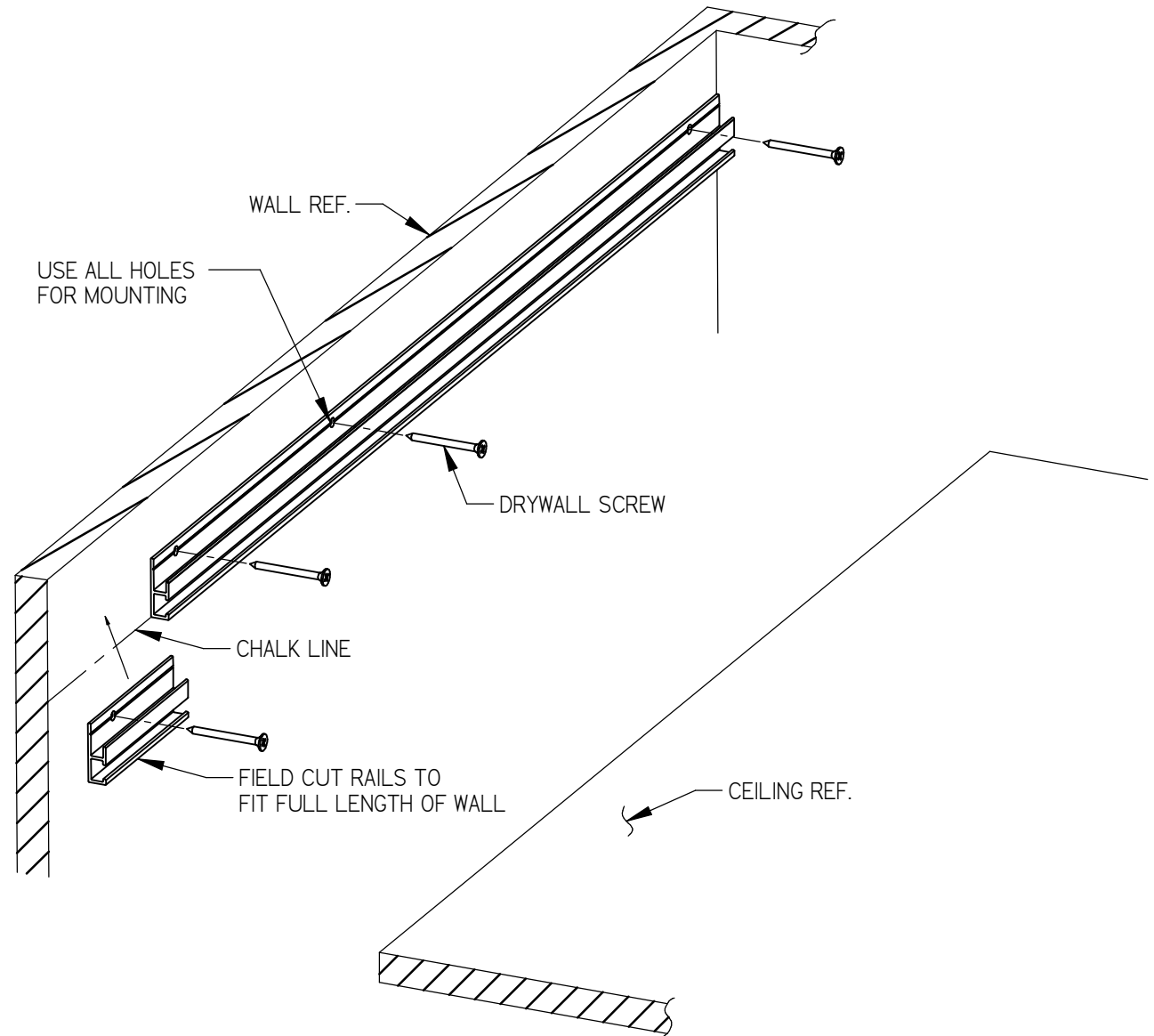
INSTRUCTIONS:

IMPORTANT: CORRECT LOCATION IS BASED ON CEILING TYPE BEING USED. SEE BELOW

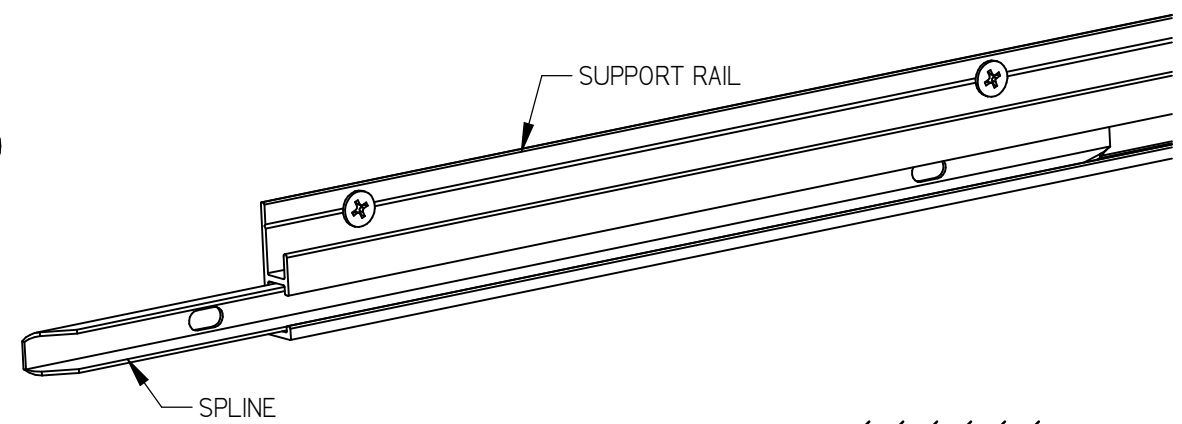
1. CHALK A LEVEL LINE ABOVE CEILING ALONG FULL LENGTH OF WALL FOR POSITIONING THE BOTTOM EDGE OF THE SUPPORT RAIL. SEE BELOW FOR DIMENSION.
2. PLACE BOTTOM EDGE OF SUPPORT RAIL ON CHALK LINE AND FASTEN TO WALL WITH DRYWALL SCREWS.
3. MOUNT SUPPORT RAILS TO WALL, INSERTING SPLINE KEYS BETWEEN RAIL ENDS AS EACH LENGTH IS ADDED. SHIM BEHIND SUPPORT RAILS WHEN NECESSARY TO FORM A CONTINUOUS STRAIGHT RAIL.
4. BUTT RAIL TO RAIL AT CORNERS.



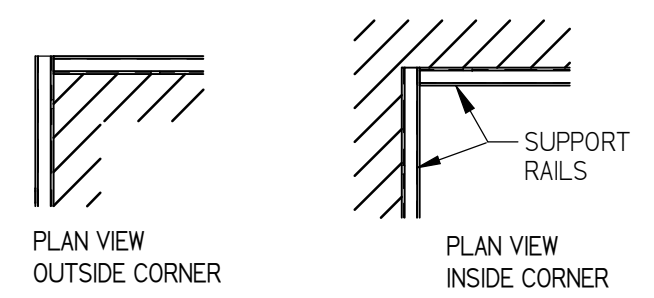
2



3



4



INSTALLATION
INSTRUCTIONS

FIXTURE TYPE _____

SUPPORT RAIL
WALLSLOT 2100

P/C 510573-2000

PG. 3 OF 3

DO NOT MODIFY OR ALTER THIS PRODUCT IN ANY WAY, OR INSTALL IN ANY FASHION WHICH IS CONTRARY TO THE INSTRUCTIONS CONTAINED HEREIN. IF YOU HAVE ANY QUESTIONS REGARDING THIS PRODUCT OR THE INSTALLATION OF IT, PLEASE CALL LITECONTROL ENGINEERING AT 781-294-0100.

REFER TO PAGE 1 FOR 2000 SERIES FIXTURES, PAGE 2 FOR 8400 SERIES.

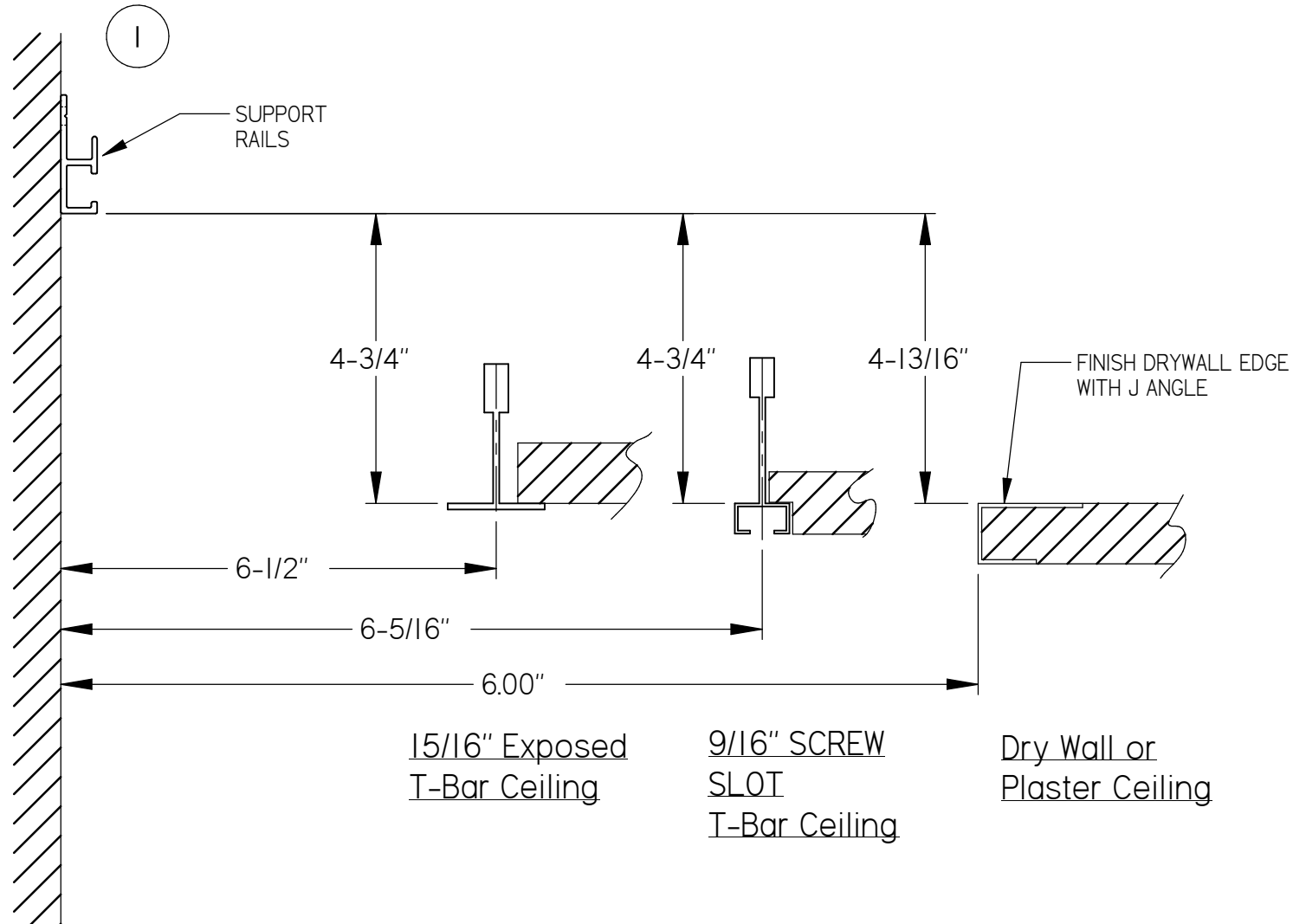
NOTES: PRIOR TO STARTING

- A. WALL SURFACE SHOULD BE FINISHED A MINIMUM OF 5" ABOVE CEILING.
- B. SUPPORT RAILS ARE SHIPPED IN 96" LENGTHS: SAWCUT TO SUIT FIELD CONDITIONS. SPLINE KEYS ARE SHIPPED INSTALLED IN RAIL.

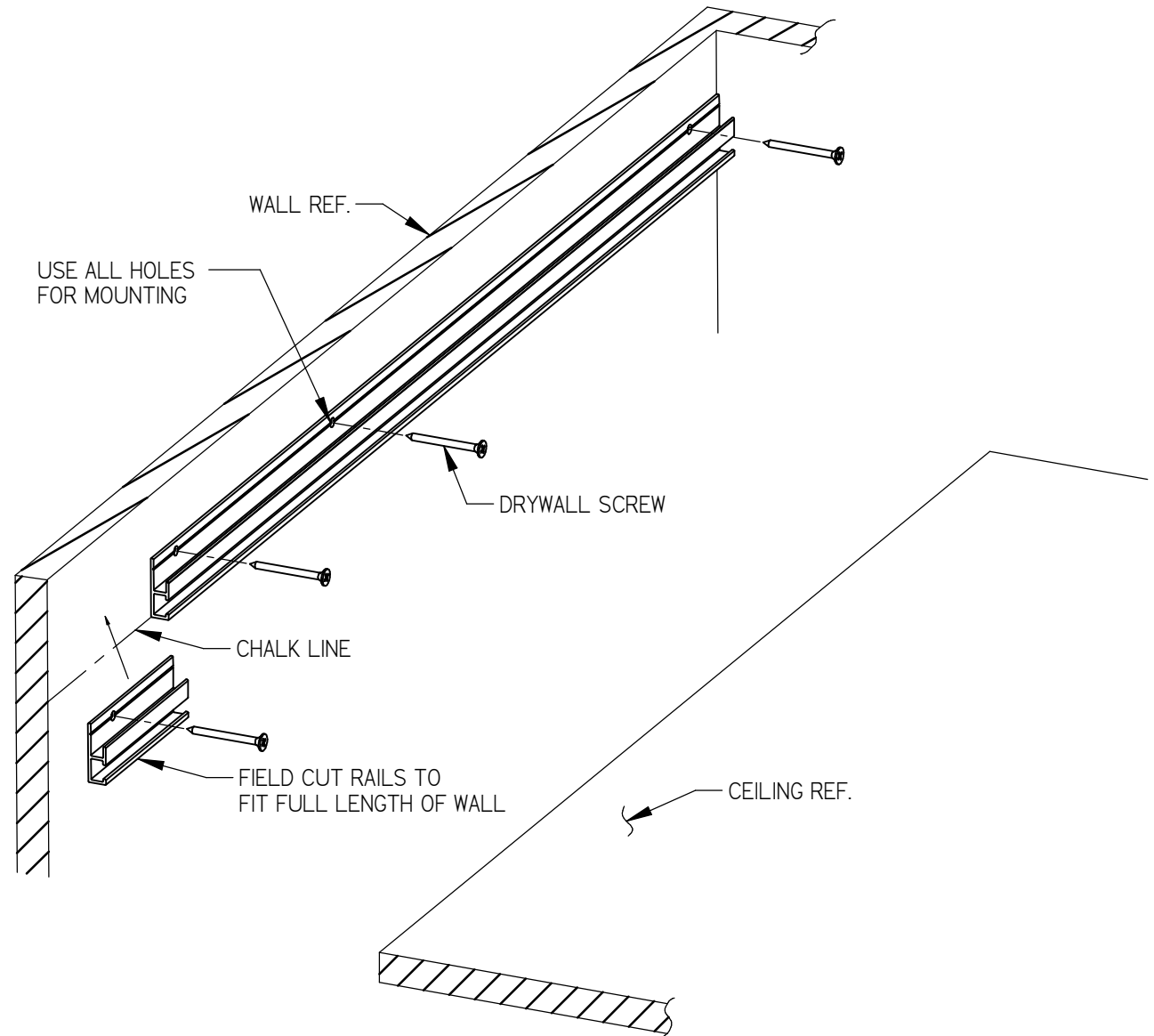
INSTRUCTIONS:

IMPORTANT: CORRECT LOCATION IS BASED ON CEILING TYPE BEING USED. SEE BELOW

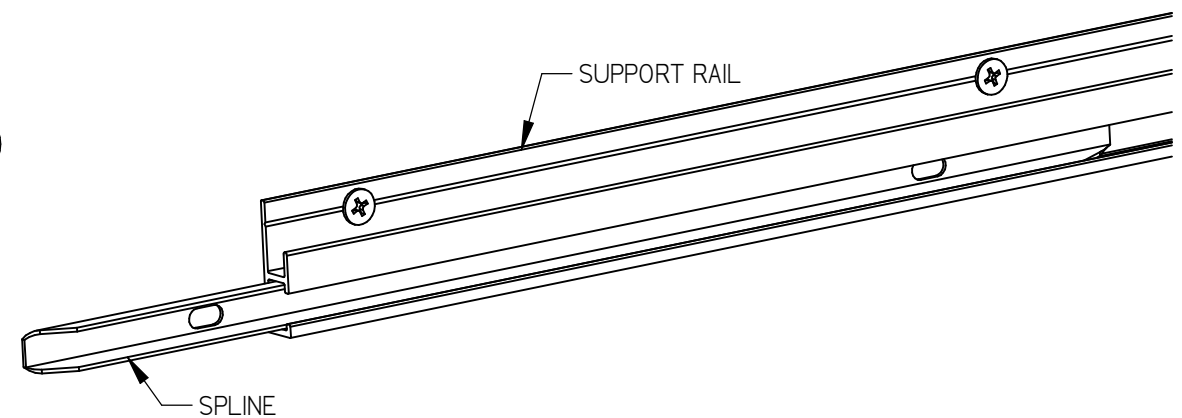
1. CHALK A LEVEL LINE ABOVE CEILING ALONG FULL LENGTH OF WALL FOR POSITIONING THE BOTTOM EDGE OF THE SUPPORT RAIL. SEE BELOW FOR DIMENSION.
2. PLACE BOTTOM EDGE OF SUPPORT RAIL ON CHALK LINE AND FASTEN TO WALL WITH DRYWALL SCREWS.
3. MOUNT SUPPORT RAILS TO WALL, INSERTING SPLINE KEYS BETWEEN RAIL ENDS AS EACH LENGTH IS ADDED. SHIM BEHIND SUPPORT RAILS WHEN NECESSARY TO FORM A CONTINUOUS STRAIGHT RAIL.
4. BUTT RAIL TO RAIL AT CORNERS.



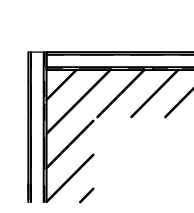
2



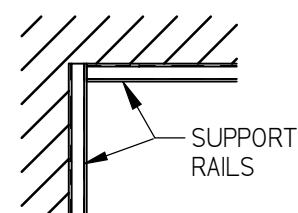
3



4



PLAN VIEW
OUTSIDE CORNER



PLAN VIEW
INSIDE CORNER