

**GENERAL NOTES: (READ SHEETS COMPLETELY BEFORE STARTING)**

- ILLUSTRATIONS IN STEP-BY-STEP INSTRUCTIONS DEPICT 11L FIXTURE UNLESS OTHERWISE NOTED. 12L AND 13L FIXTURES MAY DIFFER IN APPEARANCE.
- LEAVE PROTECTIVE WRAPPING ON FIXTURE UNTIL START OF INSTALLATION TO PROTECT FINISH FROM DAMAGE. USE CARE NOT TO DAMAGE EDGES OF FIXTURE WHEN HANDLING.
- FIXTURES ARE SUPPLIED WITH FACTORY-INSTALLED BRANCH CIRCUIT WIRING. REFER TO SUPPLEMENTAL INSTRUCTIONS WHEN MAKING WIRING CONNECTIONS.

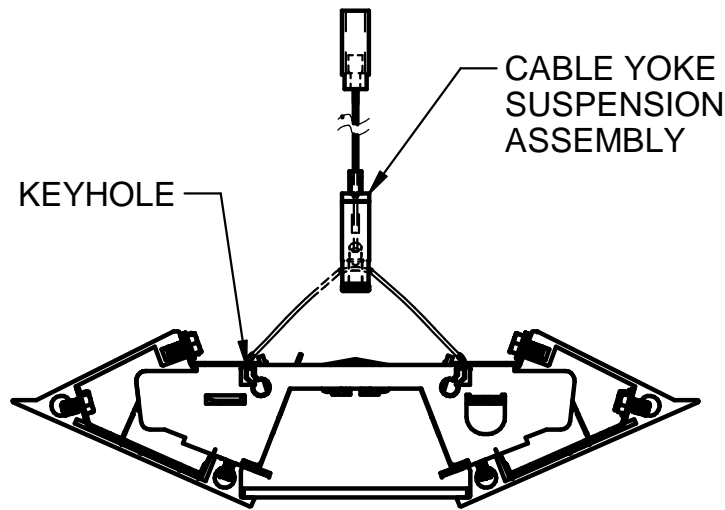
**TOOLS REQUIRED**

- #2 PHILLPS HEAD SCREWDRIVER
- FLAT HEAD SCREWDRIVER

**SUPPLIED BY INSTALLER**

1

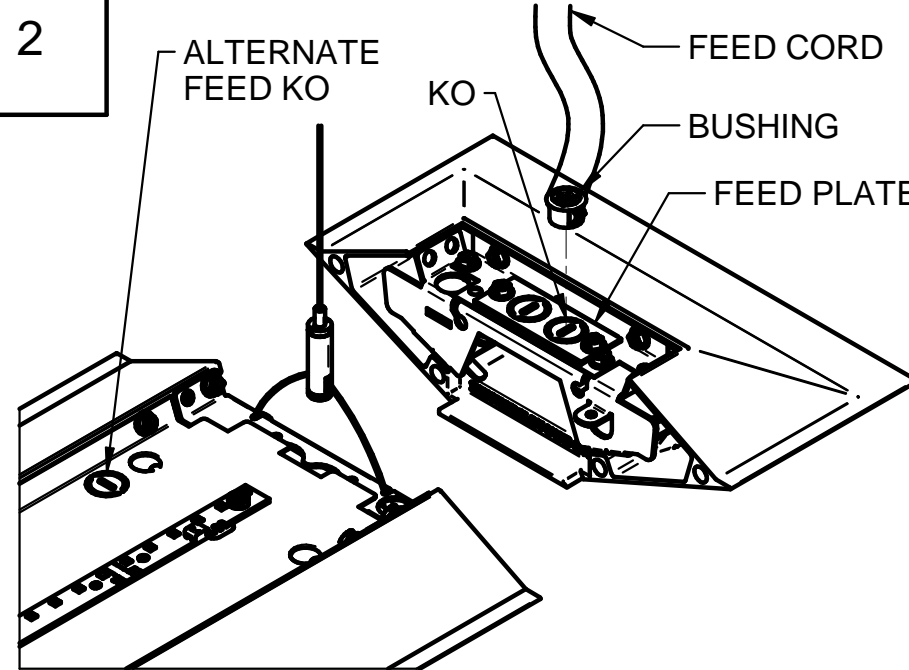
LOCATE SUSPENSION DIMENSIONS ALONG A STRAIGHT LINE IN THE CEILING. REFER TO PAGE 1.



INSERT SWAGED ENDS OF CABLE YOKE SUSPENSION INTO KEYHOLES IN END HEADERS (MARKED IN BLUE). NOTE THAT ONLY ONE CABLE IS REQUIRED AT ROW FIXTURE JOINTS.

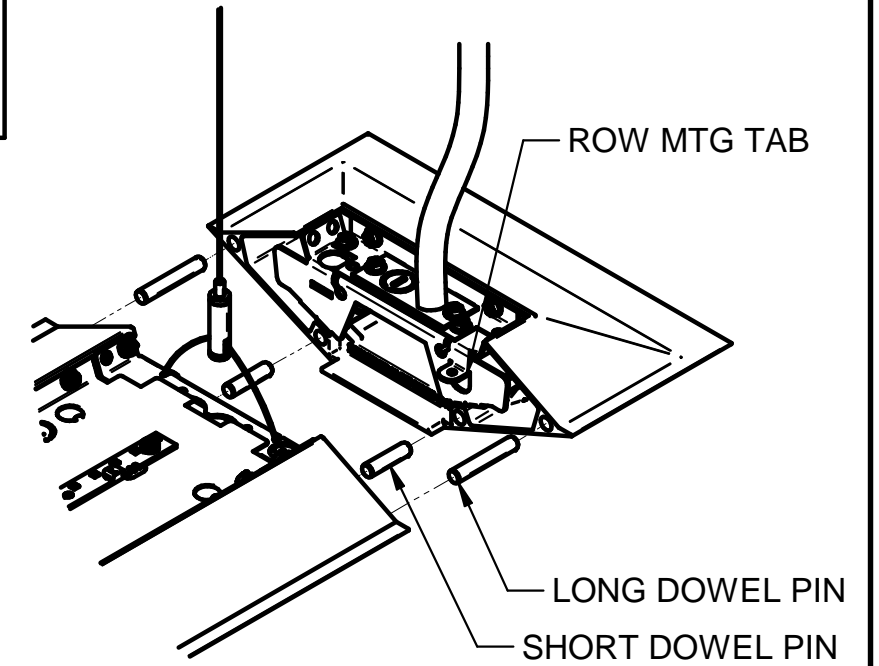
2

ALTERNATE FEED KO  
 KO  
 FEED CORD  
 BUSHING  
 FEED PLATE



REMOVE (1) 5/8" FEED KNOCK-OUT FROM FEED PLATE AND INSERT FEED CORD WITH UNIVERSAL BUSHING. ALTERNATIVELY, USE FEED HOLE ON REFLECTORS.

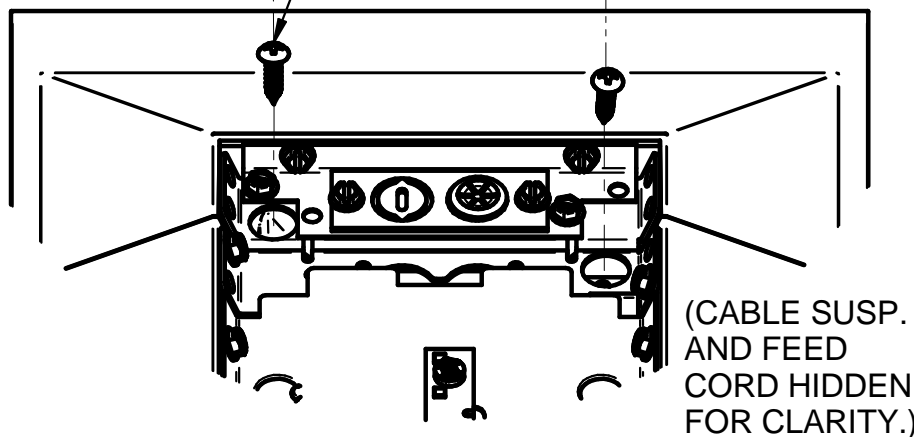
3



INSERT (4) DOWEL PINS (FOUND IN POLYBAG) INTO ONE END CAP. NOTE THAT DOWEL PINS HAVE TWO LENGTHS AS SHOWN. ALIGN DOWEL PINS AND ROW MOUNTING TABS AND ATTACH END CAP. SECURE END CAP PER STEP 4.

4

#8 PAN HD SCREW  
 PLUG BUTTON

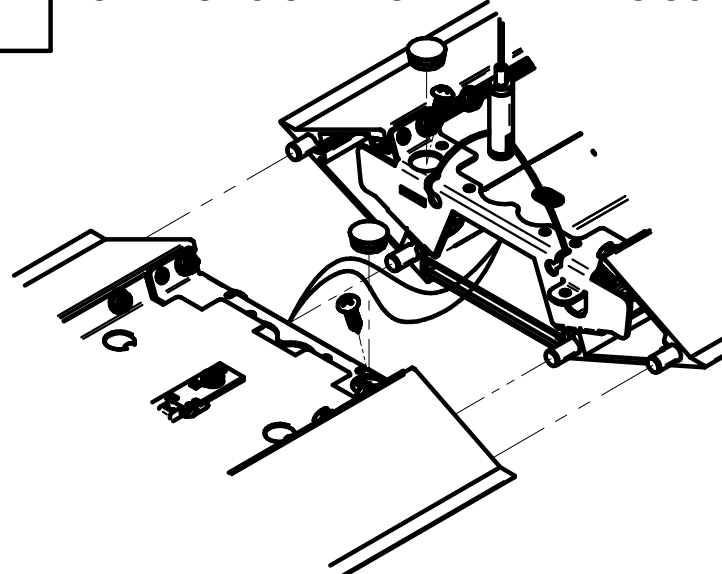


INSERT (2) #8 X 5/8" PAN HEAD PHILLIPS SCREWS THROUGH ROW MOUNTING TABS VIA HOLES IN END HEADERS. TIGHTEN TO SECURE. INSERT PLUG BUTTON INTO END HEADERS.

DO NOT MOUNT 2ND END CAP AT THIS TIME. **SEE DIFFUSER INSTALLATION (PAGE 3) BEFORE PROCEEDING.**

5

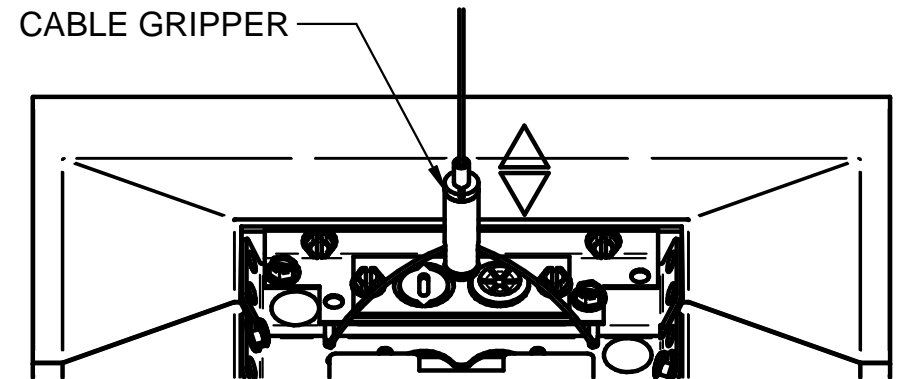
LIFT FIXTURE (1ST FIXTURE OF ROW). MOUNT CABLES TO CEILING. MAKE WIRING CONNECTIONS.



LIFT NEXT FIXTURE IN ROW, IF APPLICABLE. MOUNT TO CEILING AND SECURE FIXTURE JOINT AS ILLUSTRATED (PROCEDURE IS IDENTICAL TO STEPS 3-4). ROUTE BRANCH CIRCUIT WIRING AS SHOWN. REPEAT FOR EACH ADDITIONAL FIXTURE IN ROW.

6

CABLE GRIPPER



LEVEL EACH FIXTURE BY ADJUSTING CABLE GRIPPER UP OR DOWN. FOR DETAILS, REFER TO SUSPENSION INSTRUCTION SHEET, 510536.

# DIFFUSER INSTALLATION

**DIFFUSER INSTALLATION, INDIVIDUAL FIXTURE:**

1. SLIDE DIFFUSER INTO OPEN END (WITHOUT END CAP) OF FIXTURE. DIFFUSER SHOULD REST ON RAILS AT BOTTOM OF FIXTURE HOUSING. SEE BELOW FOR SPECIAL NOTE REGARDING BWO DIFFUSER.
2. RETURN TO STEPS 3-4 AFTER INSTALLING DIFFUSER TO MOUNT END CAP AT OTHER END OF FIXTURE, THEN PROCEED TO STEP 5.

**DIFFUSER INSTALLATION, ROW OF FIXTURES:**

1. REPEAT STEPS 3-4 AT OTHER END OF ROW TO MOUNT 2ND END CAP.
2. SLIDE DIFFUSER INTO OPEN END (WITHOUT END CAP) OF BOTH END-OF-ROW FIXTURES. DIFFUSER SHOULD REST ON RAILS AT BOTTOM OF FIXTURE HOUSING. SEE BELOW FOR SPECIAL NOTE REGARDING BWO DIFFUSER.
3. SLIDE DIFFUSER INTO MIDDLE FIXTURE(S). AGAIN, DIFFUSER SHOULD REST ON RAILS AT BOTTOM OF FIXTURE HOUSING. AVOID TILTING FIXTURE TO PREVENT DIFFUSER FROM SLIDING OUT.
4. PROCEED DIRECTLY TO STEP 5.

**BAFFLE WITH OVERLAY (BWO) DIFFUSER OPTION ONLY:**

HAND BEND LAST BLADE OF BWO DIFFUSER UPWARD TO CLEAR END CAP FLANGE, AS SHOWN ON RIGHT.

