

**GENERAL NOTES: (READ SHEETS COMPLETELY BEFORE STARTING)**

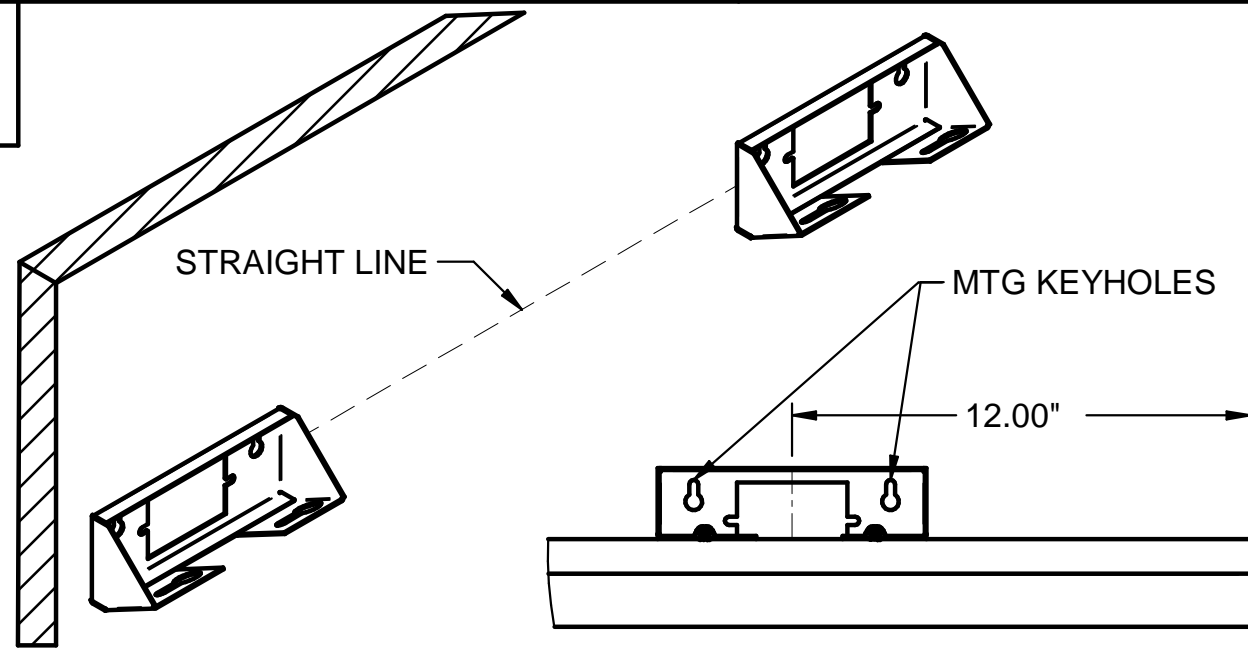
- ILLUSTRATIONS IN STEP-BY-STEP INSTRUCTIONS DEPICT 11L FIXTURE UNLESS OTHERWISE NOTED. 12L AND 13L FIXTURES MAY DIFFER IN APPEARANCE.
- LEAVE PROTECTIVE WRAPPING ON FIXTURE(S) UNTIL START OF INSTALLATION.
- WALL BRACKETS (SHIPPED SEPARATELY) MUST BE MOUNTED PRIOR TO INSTALLATION OF FIXTURE(S). REFER TO ILLUSTRATIONS FOR DIMENSIONS. TWO BRACKETS ARE REQUIRED PER FIXTURE FOR ALL FIXTURE LENGTHS.
- FIXTURES ARE SUPPLIED WITH FACTORY-INSTALLED BRANCH CIRCUIT WIRING. REFER TO SUPPLEMENTAL INSTRUCTION SHEET WHEN MAKING CONNECTIONS.

**TOOLS REQUIRED**

- #2 PHILLIPS HEAD SCREWDRIVER
- FLAT HEAD SCREWDRIVER/DRILL
- CHALK, STRING, OR EQUIVALENT FOR WALL BRACKET ALIGNMENT

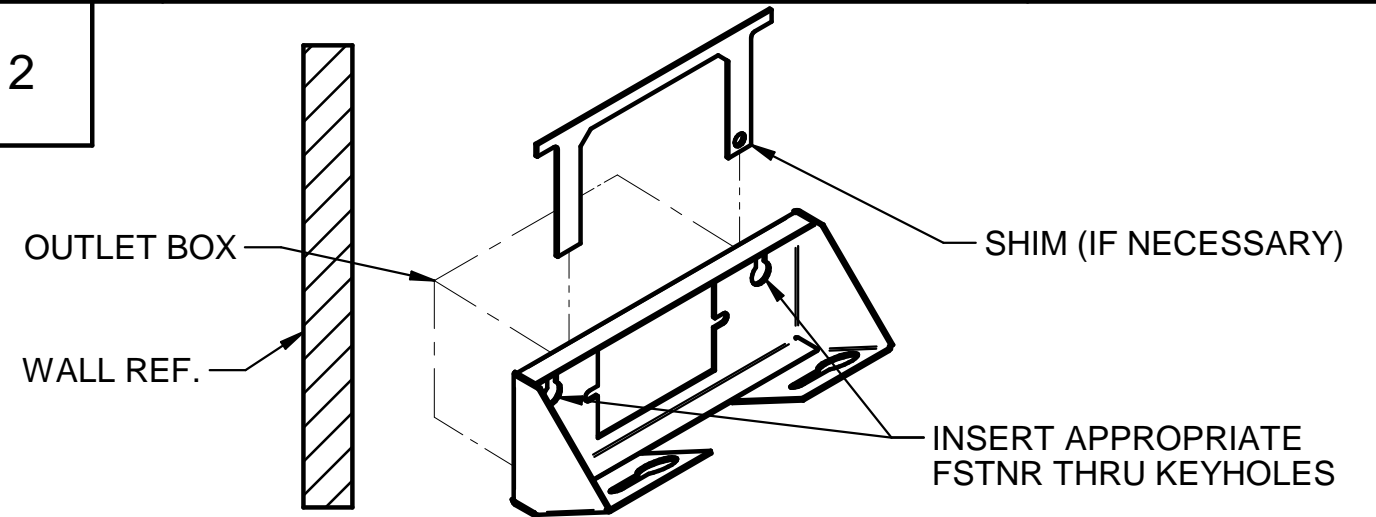
**SUPPLIED BY INSTALLER**

1



ALONG STRAIGHT LINE AT DESIRED HEIGHT, PREPOSITION WALL BRACKETS AT CORRECT DISTANCES FROM EACH OTHER; REFER TO ILLUSTRATION ABOVE AND PAGE 1 FOR DIMENSIONS. TWO BRACKETS ARE REQUIRED PER FIXTURE. MARK ALL MOUNTING HOLE LOCATIONS.

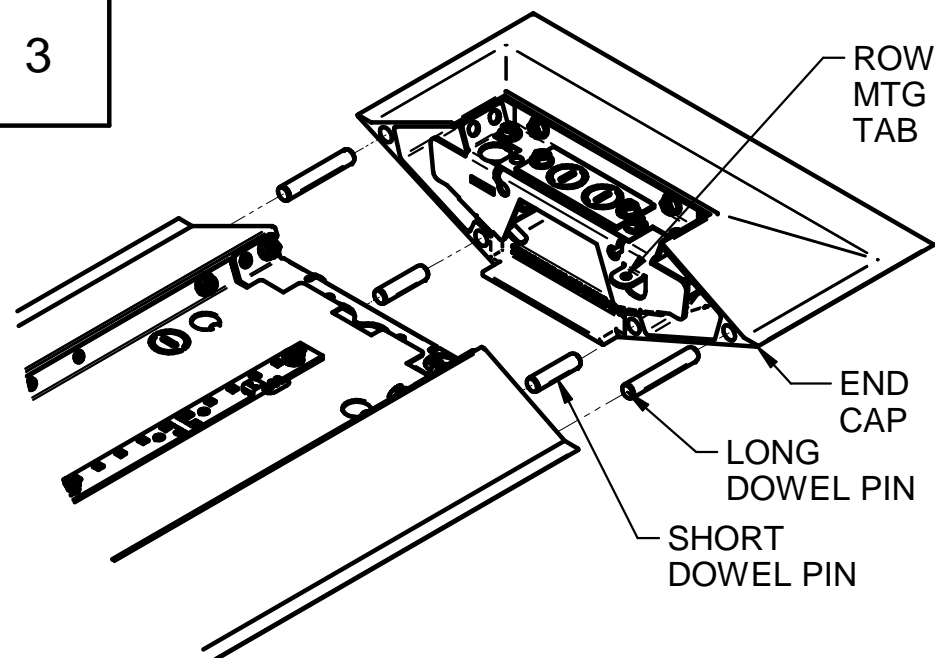
2



IF INSTALLING INDIVIDUAL FIXTURE, MOUNT BOTH BRACKETS. IF INSTALLING ROW, MOUNT FIRST AND LAST BRACKETS OF ROW, THEN MOUNT BRACKETS IN BETWEEN, ENSURING ALL BRACKETS ARE HORIZONTALLY ALIGNED. USE PROPER ANCHORING. IF NECESSARY, USE SHIMS (SUPPLIED BY LITECONTROL) BETWEEN WALL AND BACK OF BRACKETS AS SHOWN.

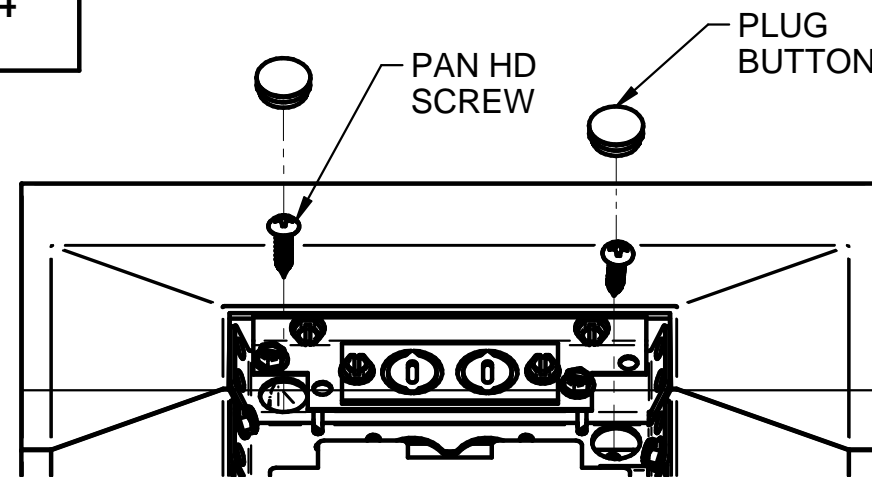
WHEN ATTACHING BRACKET TO OUTLET BOX, USE EITHER A 2" X 4" HANDY BOX OR A 4" OUTLET BOX WITH A PLASTER RING MOUNTED HORIZONTALLY. OUTLET BOX MUST BE ADEQUATELY ATTACHED TO STRUCTURE FOR SUPPORTING FIXTURE WEIGHT.

3



INSERT (4) DOWEL PINS (FOUND IN POLYBAG) INTO ONE END CAP. NOTE THAT DOWEL PINS HAVE TWO LENGTHS AS SHOWN. ALIGN DOWEL PINS AND ROW MOUNTING TABS AND ATTACH END CAP. SECURE END CAP PER STEP 4.

4

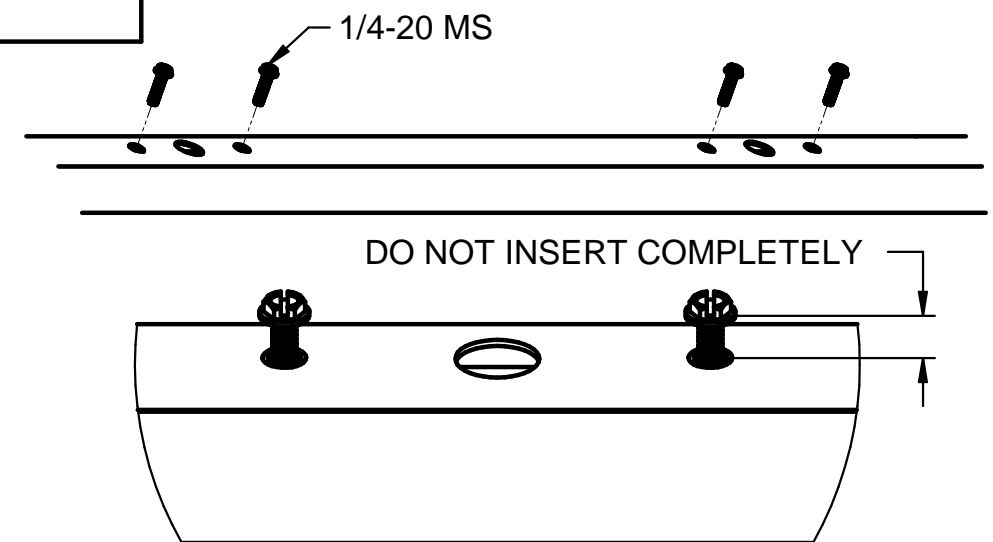


INSERT (2) #8 X 5/8" PAN HEAD PHILLIPS SCREWS THROUGH ROW MOUNTING TABS VIA HOLES IN END HEADERS. TIGHTEN TO SECURE. INSERT PLUG BUTTON INTO END HEADERS.

**DO NOT MOUNT 2ND END CAP AT THIS TIME. SEE DIFFUSER INSTALLATION (PAGE 3) BEFORE PROCEEDING.**

5

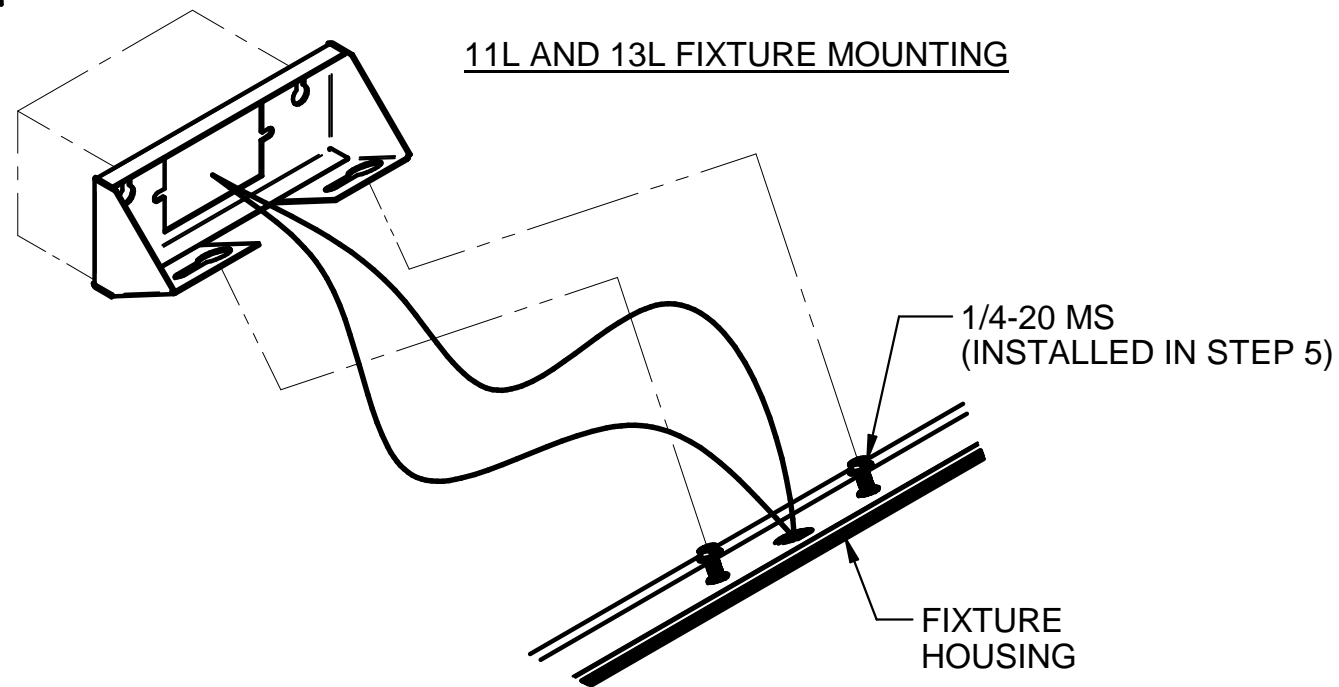
**FOR 11L & 13L FIXTURE(S) ONLY:**



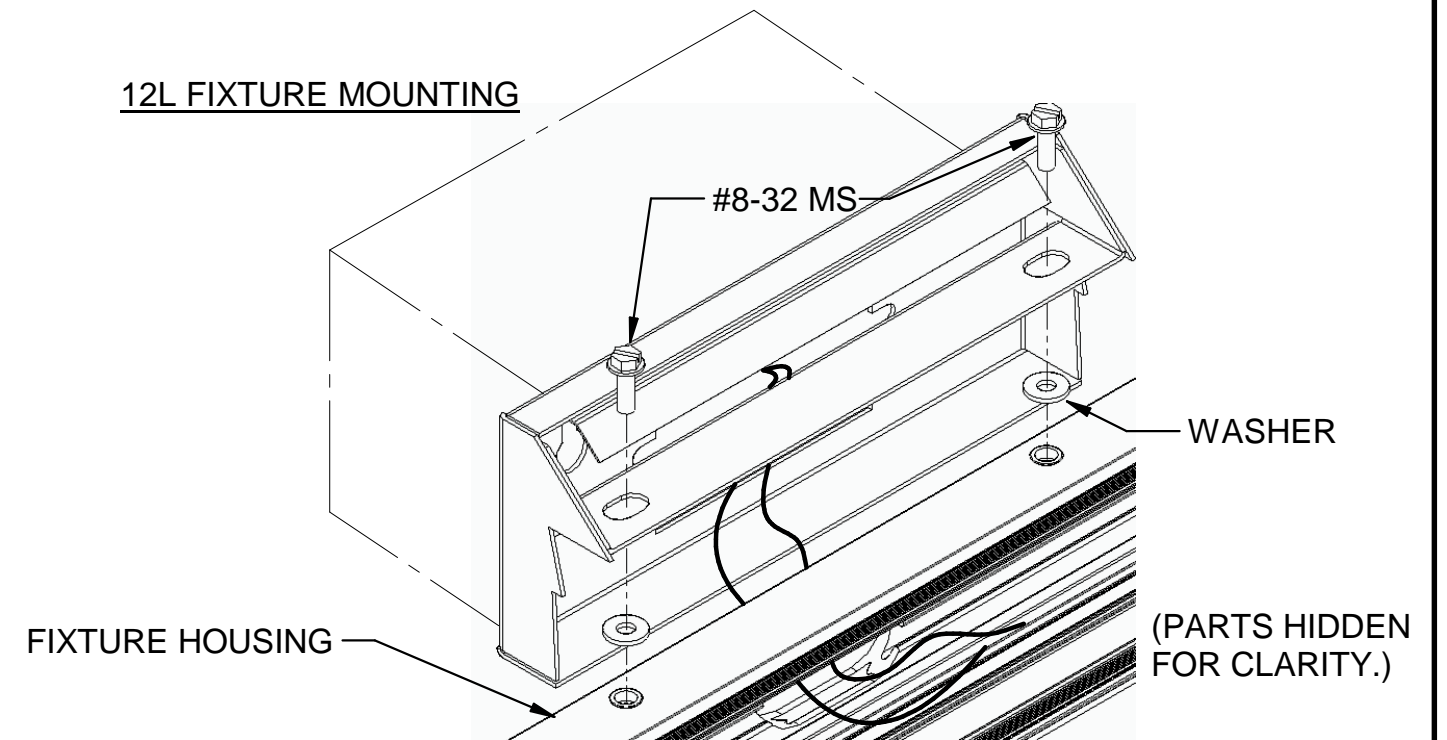
LOOSELY ATTACH (4) 1/4-20 MACHINE SCREWS (PROVIDED WITH WALL BRACKETS) TO TOP OF FIXTURE AS SHOWN. DO NOT INSERT COMPLETELY; SCREWS WILL BE USED TO MOUNT FIXTURE(S) TO WALL BRACKETS.

6

MOUNT FIXTURE (1ST FIXTURE OF ROW) TO WALL BRACKETS USING HARDWARE PROVIDED (SHIPPED WITH BRACKETS). NOTE THAT THE 12L FIXTURE IS MOUNTED DIFFERENTLY THAN 11L AND 13L; REFER TO ILLUSTRATIONS BELOW. ROUTE ELECTRICAL FEED FROM OUTLET BOX INTO FIXTURE HOUSING AS SHOWN.

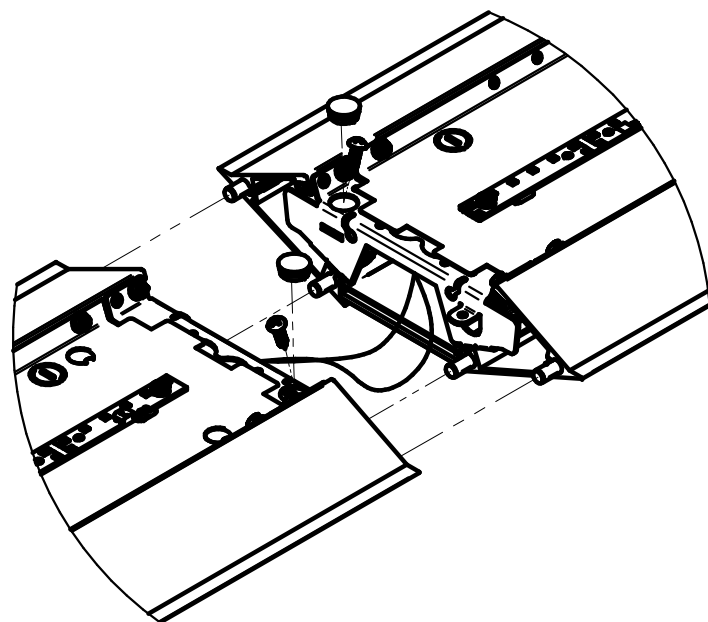


12L FIXTURE MOUNTING



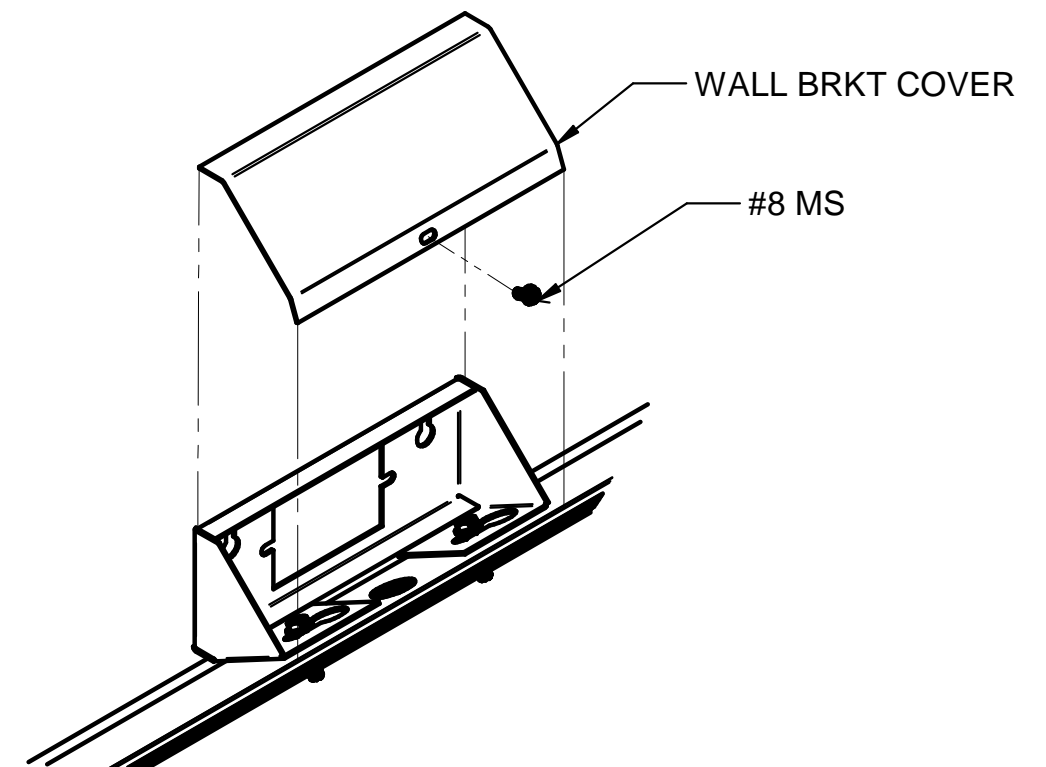
7

**IF INSTALLING INDIVIDUAL FIXTURE, SKIP TO STEP 8.**



LIFT NEXT FIXTURE IN ROW. MOUNT TO WALL BRACKETS AND SECURE FIXTURE JOINT AS ILLUSTRATED (PROCEDURE IS IDENTICAL TO STEPS 3-4). ROUTE BRANCH CIRCUIT WIRING AS SHOWN. REPEAT FOR EACH ADDITIONAL FIXTURE IN ROW.

8



PLACE WALL BRACKET COVER OVER EACH BRACKET AND SECURE USING (1) #8-32 MACHINE SCREW.

# DIFFUSER INSTALLATION

**DIFFUSER INSTALLATION, INDIVIDUAL FIXTURE:**

1. SLIDE DIFFUSER INTO OPEN END (WITHOUT END CAP) OF FIXTURE. DIFFUSER SHOULD REST ON RAILS AT BOTTOM OF FIXTURE HOUSING. SEE BELOW FOR SPECIAL NOTE REGARDING BWO DIFFUSER.
2. RETURN TO STEPS 3-4 AFTER INSTALLING DIFFUSER TO MOUNT END CAP AT OTHER END OF FIXTURE, THEN PROCEED TO STEP 5.

**DIFFUSER INSTALLATION, ROW OF FIXTURES:**

1. REPEAT STEPS 3-4 AT OTHER END OF ROW TO MOUNT 2ND END CAP.
2. SLIDE DIFFUSER INTO OPEN END (WITHOUT END CAP) OF BOTH END-OF-ROW FIXTURES. DIFFUSER SHOULD REST ON RAILS AT BOTTOM OF FIXTURE HOUSING. SEE BELOW FOR SPECIAL NOTE REGARDING BWO DIFFUSER.
3. SLIDE DIFFUSER INTO MIDDLE FIXTURE(S). AGAIN, DIFFUSER SHOULD REST ON RAILS AT BOTTOM OF FIXTURE HOUSING. AVOID TILTING FIXTURE TO PREVENT DIFFUSER FROM SLIDING OUT.
4. PROCEED DIRECTLY TO STEP 5.

**BAFFLE WITH OVERLAY (BWO) DIFFUSER OPTION ONLY:**

HAND BEND LAST BLADE OF BWO DIFFUSER UPWARD TO CLEAR END CAP FLANGE, AS SHOWN ON RIGHT.

