

**GENERAL NOTES: (READ SHEETS COMPLETELY BEFORE STARTING)**

1. FOR W-AD AND W-AID, SEE INSTRUCTION SHEET 510647 FOR LENS INSTALLATION PROCEDURE.
2. LEAVE PROTECTIVE WRAPPING ON FIXTURE(S) UNTIL START OF INSTALLATION.
3. FIXTURES ARE PROVIDED WITH FACTORY-INSTALLED BRANCH CIRCUIT WIRING. REFER TO SUPPLEMENTAL INSTRUCTION SHEET WHEN MAKING CONNECTIONS.
4. WALL BRACKET(S) (SHIPPED SEPARATELY) SECURE FIXTURE ONTO FINISHED WALL SURFACE. USE TWO BRACKETS FOR 36", 48", 60", 72", 96" FIXTURES AND ONE BRACKET FOR 24" FIXTURE.
5. APPROXIMATE WEIGHT OF FIXTURE IS 3.50 LBS PER FOOT OF LENGTH.

**TOOLS REQUIRED**

- SCREWDRIVER/DRILL
- 7/16" NUT DRIVER

**SUPPLIED BY INSTALLER**

**1**

SHIM (IF NECESSARY)

WALL REF.

STRAIGHT LINE

WALL BRACKET

MOUNT WALL BRACKET(S) ALONG A STRAIGHT LINE PER DIMENSIONS SHOWN IN SIDE VIEW ON PAGE 1. IF INSTALLING ROW, REFER TO TOP VIEW ON PAGE 1 AND THE ABOVE ILLUSTRATION. IF REQUIRED, USE SHIMS BETWEEN WALL SURFACE AND BACK OF BRACKETS.

**2**

8-32 MS

TETHER

LED REFLECTOR MODULE

REMOVE LED REFLECTOR MODULE(S) BY LOOSENING (2) 8-32 MACHINE SCREWS (RETAINED BY LOCKING NUTS). ALLOW MODULES TO HANG ON NYLON TETHERS.

**3**

6-32 MS

END CAP MTG PLATE

ATTACH END CAP MOUNTING PLATES (SHIPPED SEPARATELY) TO NEAR END OF 1ST FIXTURE WITH 6-32 MACHINE SCREWS PROVIDED. IF INSTALLING INDIVIDUAL FIXTURE, REPEAT AT FAR END. IF INSTALLING ROW, REPEAT AT FAR END OF LAST FIXTURE IN ROW.

**4**

INTERIOR OF HOUSING

1/4-20 HEX NUT

(PARTS HIDDEN)

LIFT AND MOUNT FIXTURE ONTO WALL BRACKET(S). USE 1/4-20 HEXHEAD NUTS PROVIDED. IF INSTALLING ROW, DO SO FOR 1ST FIXTURE ONLY.

IF INSTALLING INDIVIDUAL FIXTURE, SKIP TO STEP 6.

**5**

(SOME PARTS HIDDEN)

6-20 SCREW

EXTRUSION BRACKET, MALE FIXTURE

6-20 SCREW

MOUNT NEXT FIXTURE IN ROW PER STEP 4. AT FIXTURE JOINT, ALIGN AND INSERT EXTRUSION BRACKET OF MALE FIXTURE INTO ADJOINING FIXTURE BEFORE SECURING JOINT USING 6-20 X 2" LONG HEX HEAD SCREWS. TIGHTEN EACH SCREW GRADUALLY, ALTERNATING BETWEEN SIDES. DO NOT OVER TIGHTEN EITHER SIDE AS THIS COULD CAUSE UNALIGNED FIXTURE STRAIGHTNESS AT JOINTS. IF REQUIRED, ADJUST MOUNTING SCREWS TO ENSURE PROPER ROW STRAIGHTNESS AND ALIGNMENT

**6**

WIRING TO ADJOINING FIXTURE (FOR ROW)

WIRING TO WALL

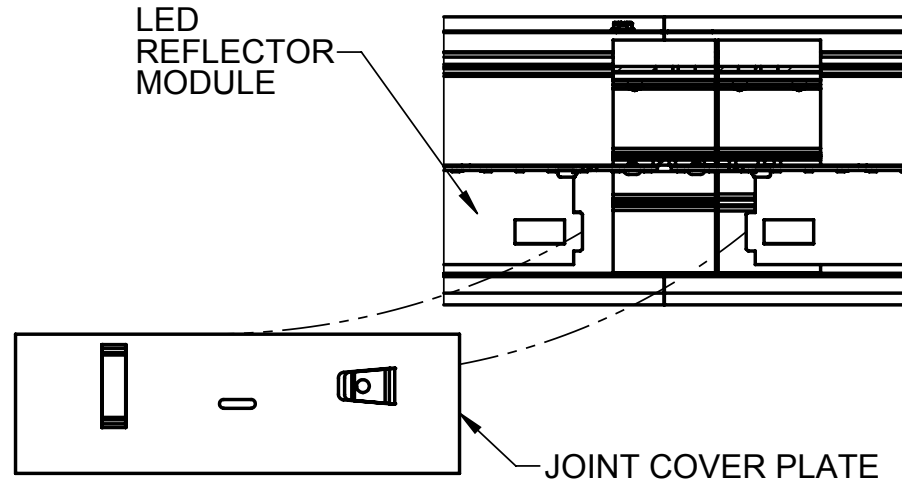
2" DIA FEED HOLE

BRING ELECTRICAL FEED INTO FIXTURE WIREWAY AND MAKE WIRING CONNECTIONS. FOR ROW, WIRING CAN BE BROUGHT THROUGH ENDS AT EACH JOINT.

7

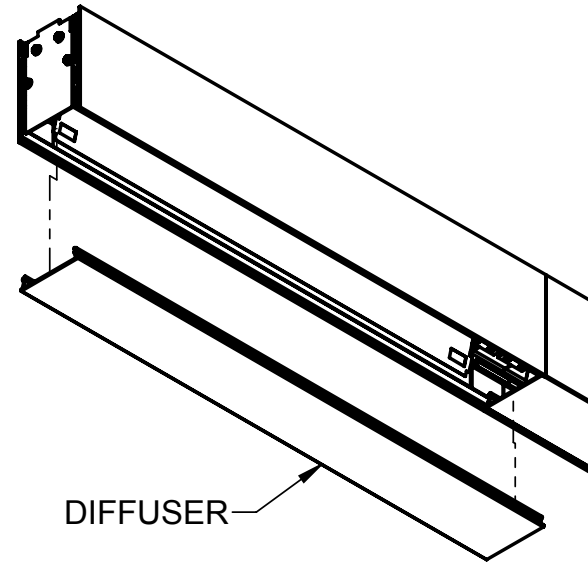
REATTACH LED REFLECTOR MODULES AND CLEAN FIXTURE EXTERIORS USING A GENERAL WINDOW CLEANER.

CROSS SECTION VIEW  
ROW JOINT



IF INSTALLING ROW, ATTACH ROW JOINT COVER PLATE(S) AS SHOWN.

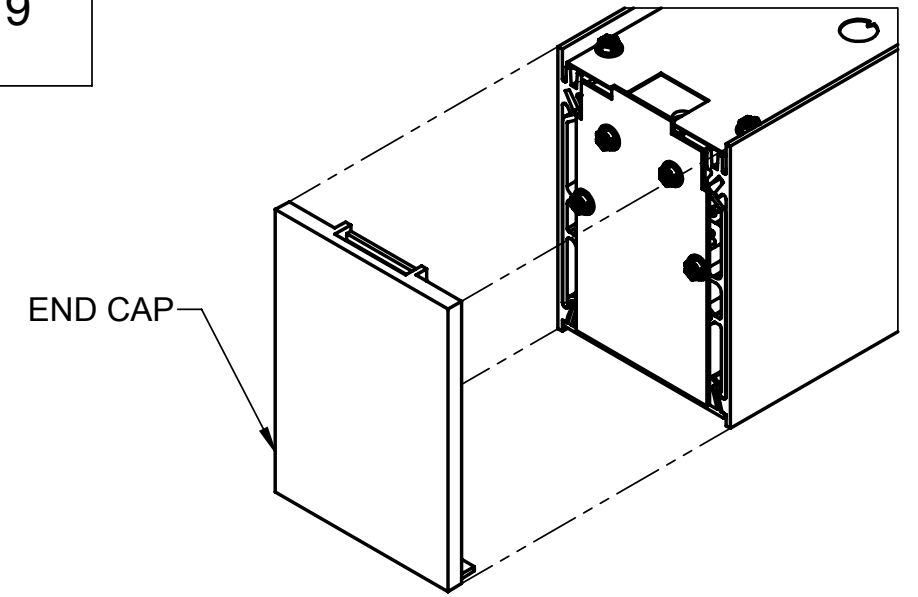
8



SNAP IN DIFFUSER AT BOTTOM OF HOUSING(S). TO REMOVE, INSERT SCREWDRIVER OR FLAT HEAD PRY TOOL INTO SIDE OF HOUSING AND PULL DOWN ON DIFFUSER.

LK DUST COVER OPTION (SHIPPED SEPARATELY): PLACE DUST COVER ONTO LED REFLECTOR MODULE. DUST COVER IS HELD IN PLACE BY MAGNETS.

9



ATTACH END CAPS (SHIPPED SEPARATELY) OVER MOUNTING PLATES. END CAPS ARE SECURED WITH FACTORY-INSTALLED MAGNETS. POSITION END CAPS SO THEY ARE FLUSH WITH SIDES OF HOUSING.