

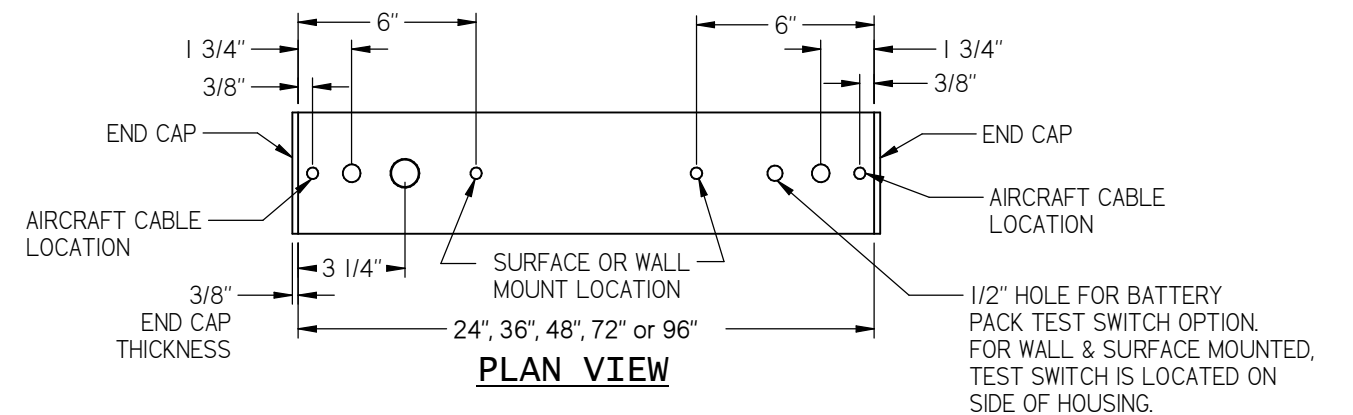
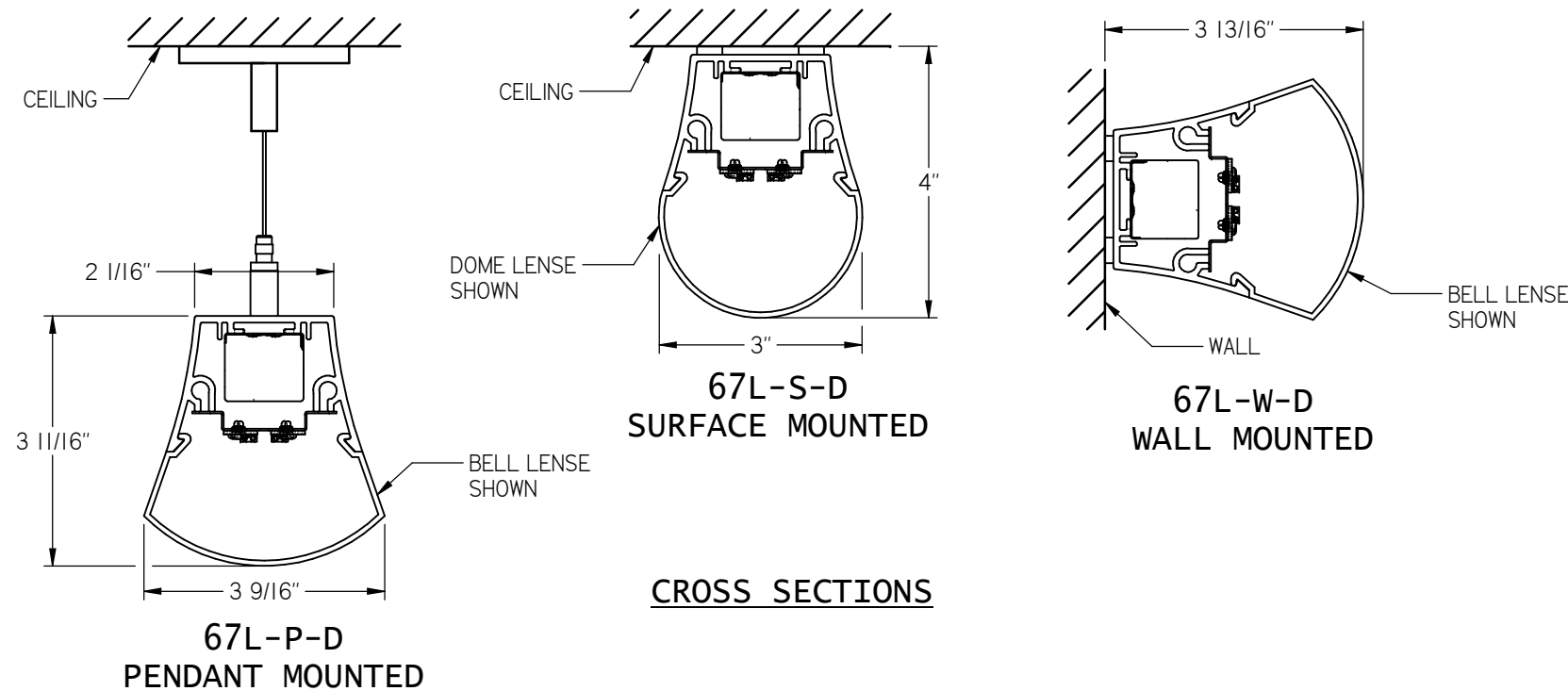
INSTALLATION INSTRUCTIONS

FIXTURE TYPE _____

P/C 510641-01

67L-P-D
67L-S-D
67L-W-D
PG. 1 OF 3

DO NOT MODIFY OR ALTER THIS PRODUCT IN ANY WAY, OR INSTALL IN ANY FASHION WHICH IS CONTRARY TO THE INSTRUCTIONS CONTAINED HEREIN. IF YOU HAVE ANY QUESTIONS REGARDING THIS PRODUCT OR THE INSTALLATION OF IT, PLEASE CALL LITECONTROL ENGINEERING AT 781-294-0100.



FOR SURFACE OR WALL MOUNTING

○ = 17/64" DIA HOLE, ANCHOR SCREW LOCATIONS

○ = 7/8" DIA HOLE, ELECTRICAL FEED

FOR AIRCRAFT CABLE MOUNTING

○ = 17/64" DIA HOLE, AIRCRAFT CABLE LOCATIONS

○ = 5/8" DIA HOLE, FEED CORD LOCATIONS

GENERAL NOTES: (READ SHEETS COMPLETELY BEFORE STARTING)

1. Leave protective wrapping material on fixture until fixtures are mounted: This will protect finish from damage.
2. Fixtures are supplied with factory installed branch circuit wiring. Refer to supplemental instruction sheet for making connections.
3. Approximate weight of fixture is 2 lbs per foot of length.
4. Refer to page 3 for lens removal and installation.

INSTRUCTIONS:

1. MOUNTING INDIVIDUAL FIXTURES:

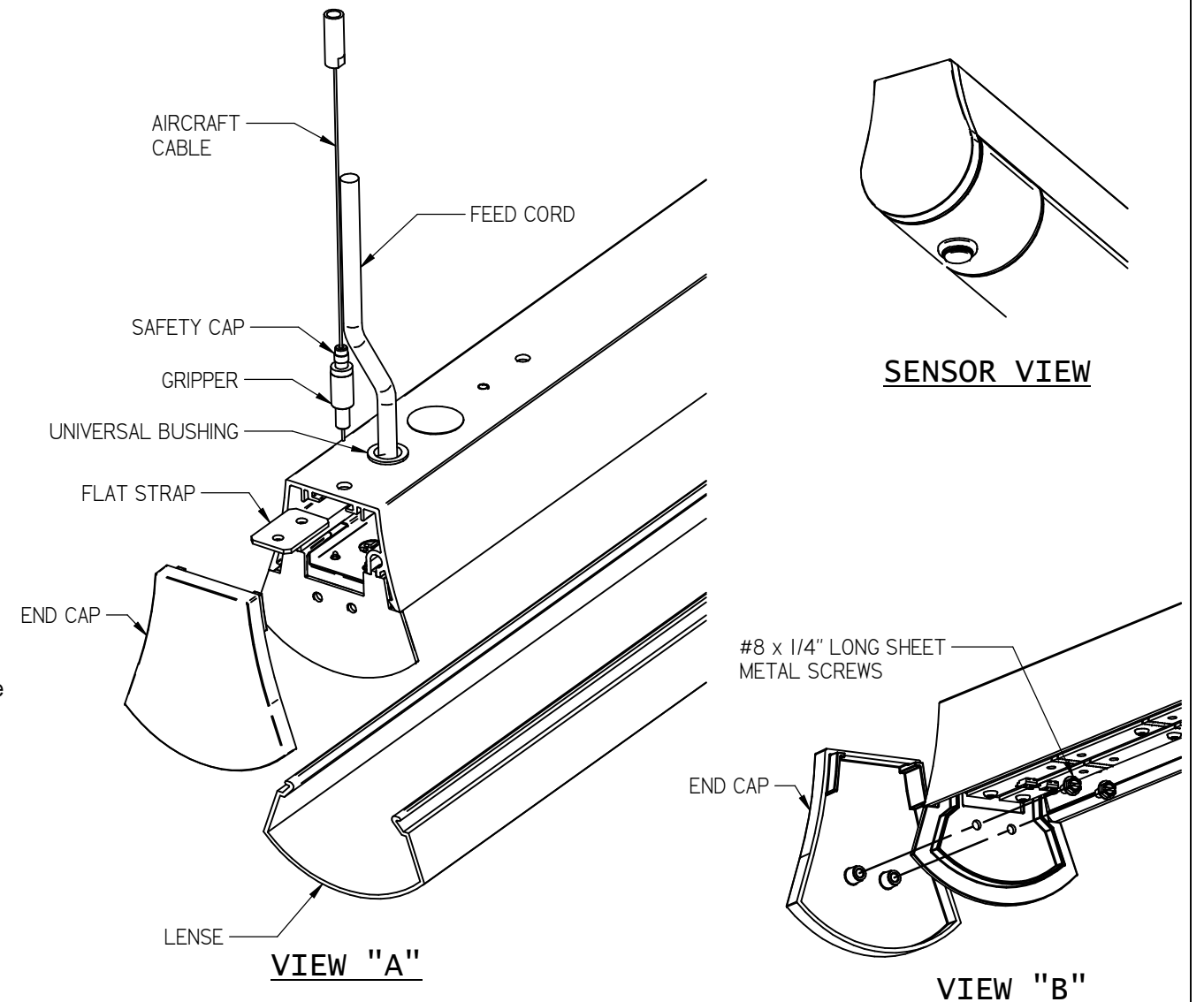
- A) Remove snap-in Lens and set aside (refer to page 3 for removal).
 - B) **CABLE MOUNTING:** Locate aircraft cables along a straight line in ceiling per dimensions shown in Plan View. Refer to cable instruction sheet 510541 for attachment to ceiling. Slide Flat strap into channel in extruded housing as shown. Insert Cable Gripper through housing and thread into into flat strap. Refer to View "A". Repeat at other end of fixture. Raise fixture up to ceiling and attach to 1/4-20 stud. To attach feed cord, remove 5/8" plug button at feed location. Insert Universal Bushing into 5/8" hole and bring in feed cord through bushing into fixture wireway and make wiring connections. Level fixture by sliding cable up or down gripper. After fixture is level tighten safety cap on gripper. Attach end caps per step 2.
- SURFACE & WALL MOUNTING:** At feed locations feed wire from 2x4 handy box through 7/8" hole in 2x4 handy box cover plate and attach with 6-32 screws provided. Remove LED modules by removing (4) screws per module. Remove 7/8" plug button from top of fixture at feed location and bring fixture up to ceiling or wall. Bring electrical feed through 7/8" hole and into fixture wireway. Secure fixture to ceiling or wall with (2) anchor screws (by others) 6" in from each end of fixture. Make wiring connections and replace LED modules. See View "E" & "F".

2. Attach End Cap to fixture using (2) #8 x 1/4" long sheet metal screws, making sure end cap is flush with sides and top of housing. Repeat at opposite end. See View "B".

GO TO STEP 5 ON PAGE 2

LITECONTROL

65 SPRING STREET - PLYMPTON MA 02367, (781-294-0100)



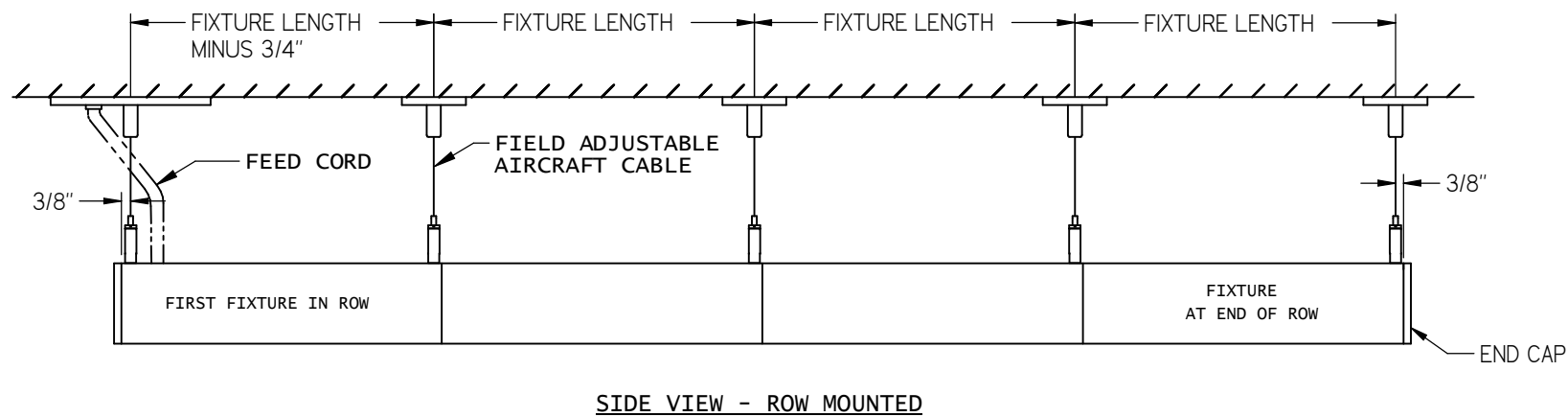
INSTALLATION INSTRUCTIONS

FIXTURE TYPE _____

**67L-P-D
67L-S-D
67L-W-D**
PG. 2 OF 3

P/C **510641-01**

DO NOT MODIFY OR ALTER THIS PRODUCT IN ANY WAY, OR INSTALL IN ANY FASHION WHICH IS CONTRARY TO THE INSTRUCTIONS CONTAINED HEREIN. IF YOU HAVE ANY QUESTIONS REGARDING THIS PRODUCT OR THE INSTALLATION OF IT, PLEASE CALL LITECONTROL ENGINEERING AT 781-294-0100.



SIDE VIEW - ROW MOUNTED

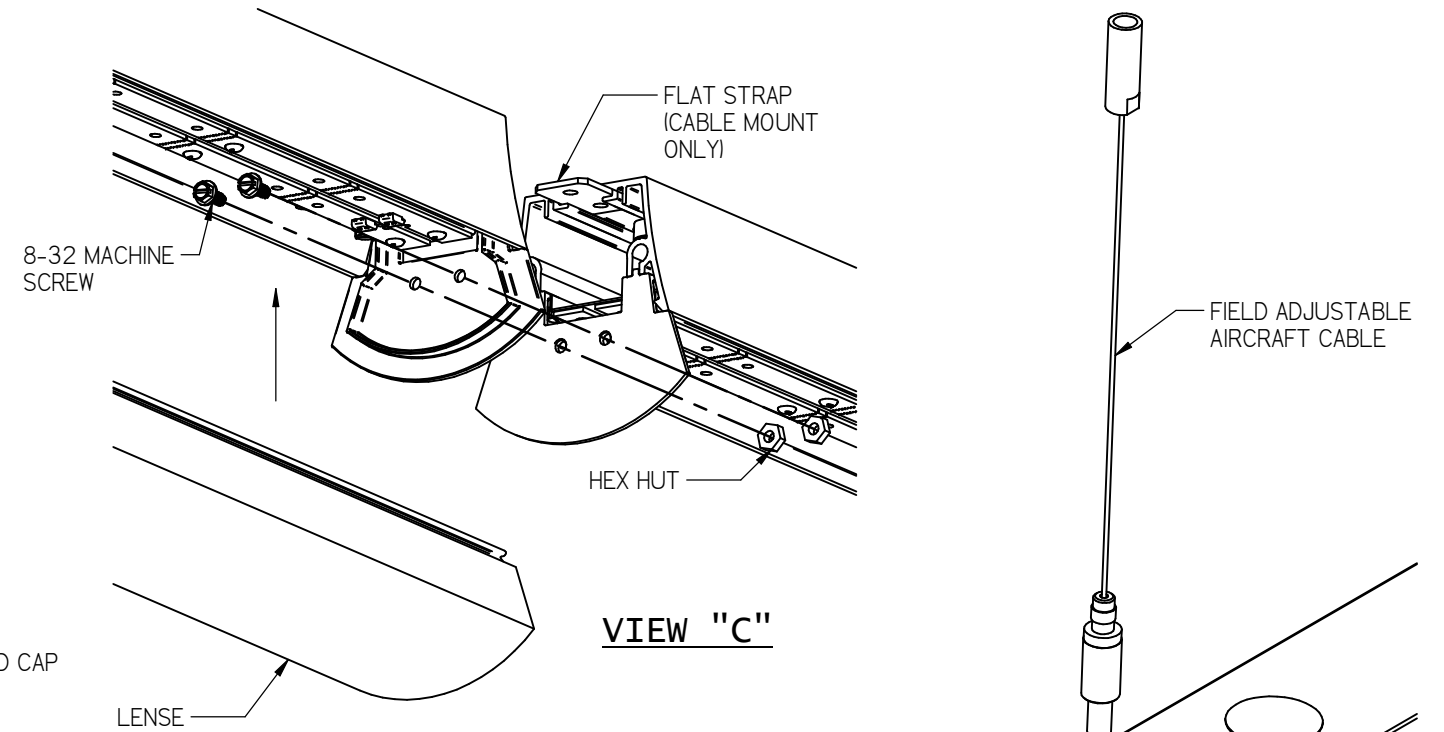
3. MOUNTING ROWS OF FIXTURES:

NOTE: Fixtures are connected to each other at row joint per steps below.

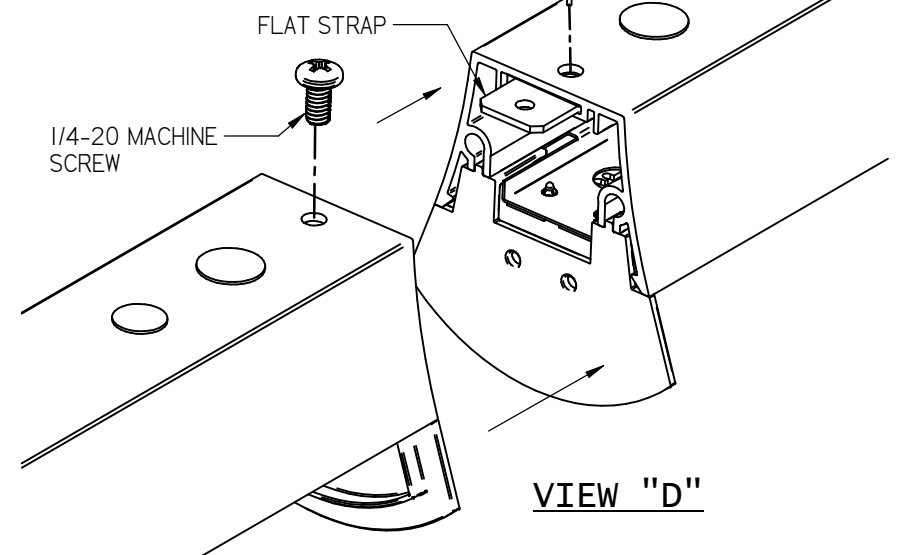
- A) Refer to Side View above for locations of cables. Refer to Plan View on page 1 for feed locations. Non-feed fixtures do not require removal of any plug buttons.
- B) Starting with the first fixture in row, lift and install first fixture per step 1B- except at the row joint end of fixture of cable mounted fixtures, extend flat strap out the end of the fixture for attachment of abutting fixture.
- C) **FOR CABLE MOUNTING:** For next fixture in row, slide in flat strap at other end of fixture- if this is not the last fixture in the row make sure flat strap extends out the end of the fixture for attachment of abutting fixture. Insert Cable Gripper through housing and thread into into flat strap. Lift fixture up and attach to 1/4-20 stud in ceiling. At row joint end of fixture make wiring connections and slide into protruding flat strap of the previous fixture. Secure with 1/4-20 machine screw through top of housing into flat strap as shown in View "D". Attach fixtures together using 8-32 machine screws and nuts as shown in View "C".
FOR WALL & SURFACE MOUNTING: Remove LED Modules by removing (4) screws. Attach fixture to ceiling or wall per step 1B. Attach fixtures together using 8-32 machine screws and nuts as shown in View "C". Slide in spline as shown in View "F" for adjoining fixture.

- D) Level each fixture and align seams at row joint before tightening all screws and cables.
- E) Repeat steps 3C & 3D for each additional fixture in row.

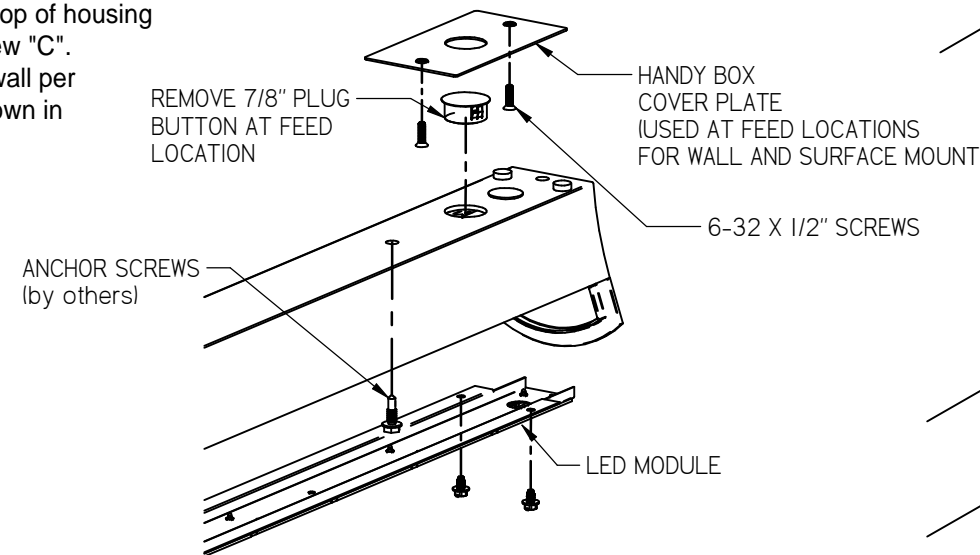
- 4. Remove all wrapping material and snap in the diffuser (refer to page 3).
- 5. Clean fixture exteriors with a general window cleaner.



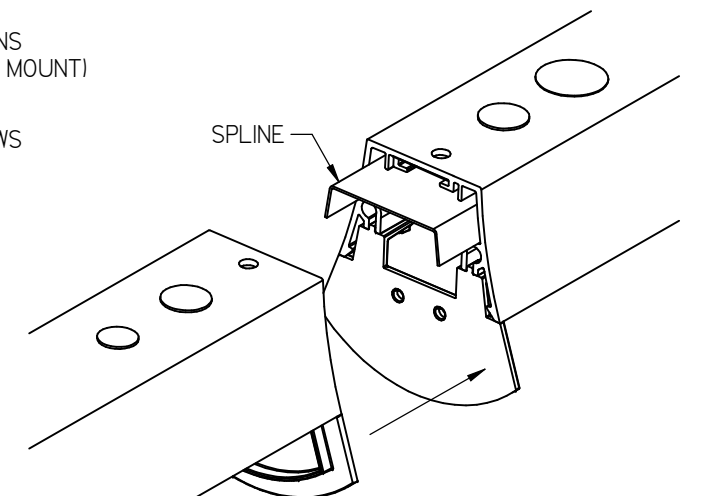
VIEW "C"



VIEW "D"



VIEW "E" - SURFACE & WALL MOUNT



VIEW "F" - SURFACE & WALL MOUNT

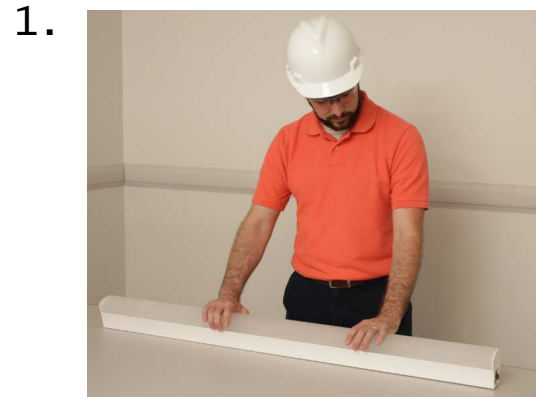
Lens Removal and Installation 7.

The lens is secured by a snap fit into the housing and designed to be released and installed without any tools. Although the snap fit keeps the lens secure on the housing, the fixture should not be picked up or carried by the lens alone.

DO NOT MODIFY OR ALTER THIS PRODUCT IN ANY WAY, OR INSTALL IN ANY FASHION WHICH IS CONTRARY TO THE INSTRUCTIONS CONTAINED HEREIN. IF YOU HAVE ANY QUESTIONS REGARDING THIS PRODUCT OR THE INSTALLATION OF IT, PLEASE CALL LITECONTROL ENGINEERING AT 781-294-0100.



Pivot the lens into the housing around the end headers.



1. Fixture should be placed on flat and secure surface.



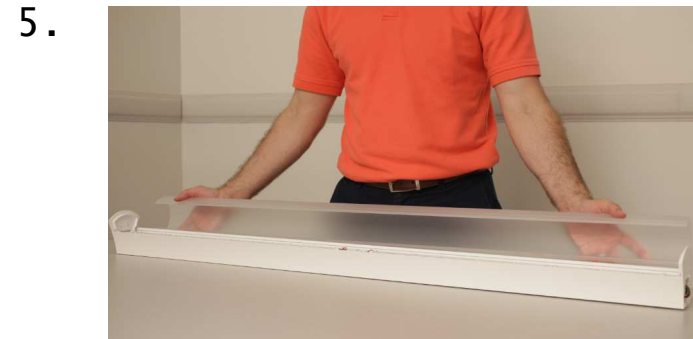
4. As the lens starts to release, pivot the lens to one side.



8. Gently adjust the lens into place between the end headers and align with the housing.



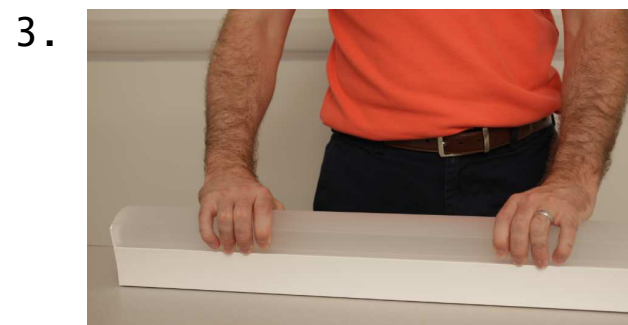
2. Gently squeeze the sides of the lens, starting on one end.



5. Gently work out of the end headers.



9. Gently snap the lens into place on one end and follow along the length of the fixture for a secure fit.



3. Move along the length of the lens, intermittently or with constant pressure gently squeezing, releasing the lip of the lens from the housing.



To Install the Lens:

With the fixture installed and end caps attached, align the lens with the housing at an angle.



10. To ensure a secure fit and proper installation, feel along the seam between the lens and housing for any misalignment.