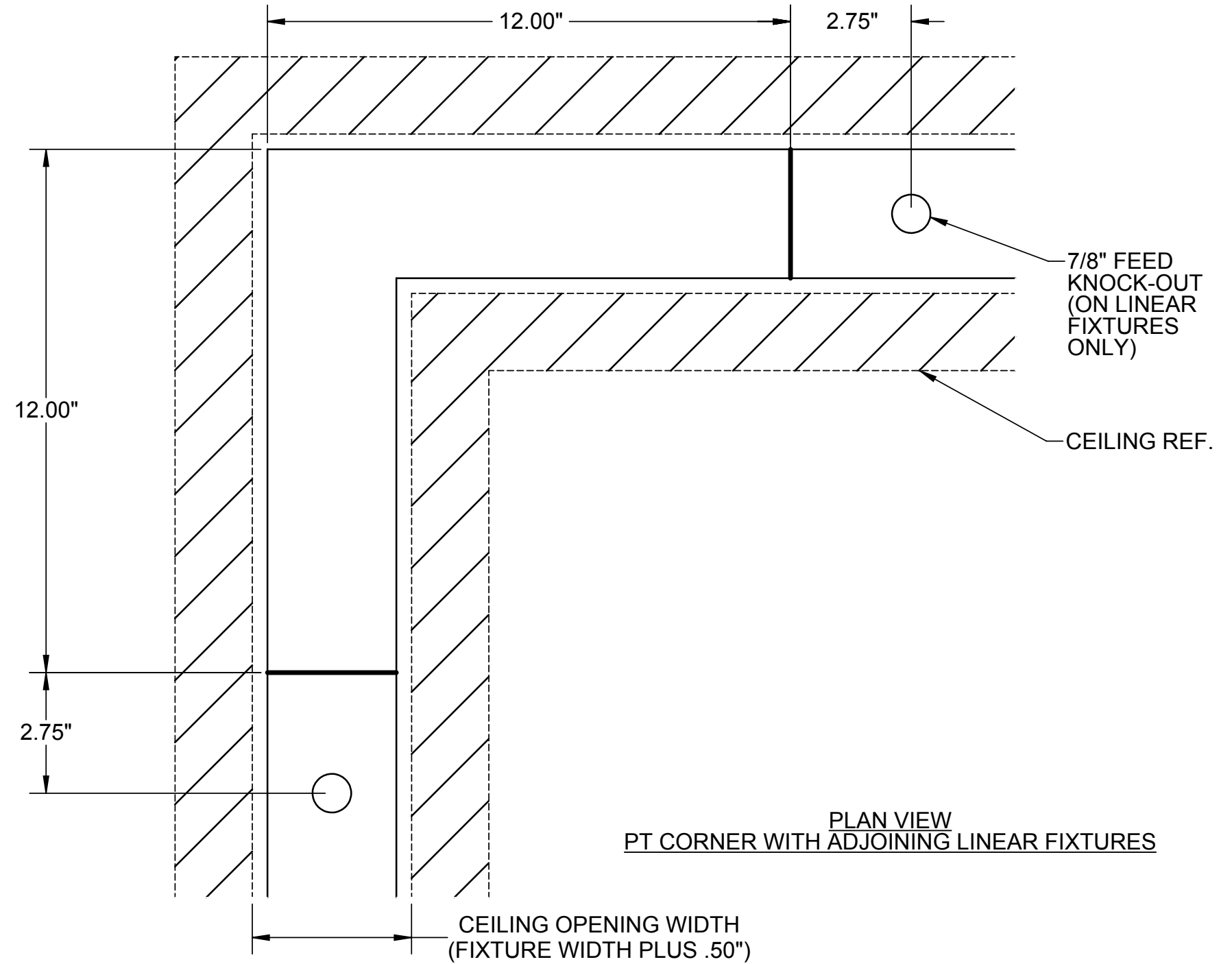


BOTTOM VIEW - PLASTER TRIM CORNER FIXTURE



**PLAN VIEW
PT CORNER WITH ADJOINING LINEAR FIXTURES**

GENERAL NOTES: (READ SHEETS COMPLETELY BEFORE STARTING)

- 1. USE THIS INSTRUCTION SHEET IN CONJUNCTION WITH INSTRUCTION SHEET 510638.**
2. LEAVE PROTECTIVE WRAPPING MATERIAL ON FIXTURE(S) UNTIL START OF INSTALLATION TO PROTECT FINISH FROM DAMAGE.
3. FIXTURES ARE PROVIDED WITH FACTORY-INSTALLED BRANCH CIRCUIT WIRING. REFER TO SUPPLEMENTAL INSTRUCTION SHEET WHEN MAKING CONNECTIONS.
4. FIXTURES ARE MOUNTED IN FRAMED PLASTER DRYWALL CEILING AND SUPPORTED WITH DRYWALL SCREWS. DRYWALL SCREWS ARE INSERTED THROUGH HOLES IN SPACKLE TRIM. SEE STEP-BY-STEP INSTRUCTIONS FOR IMPORTANT DETAILS.

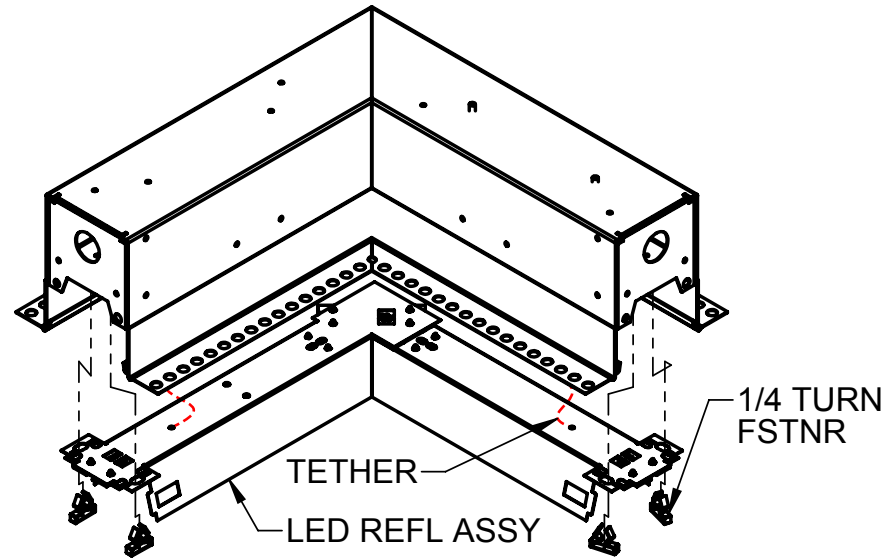
TOOLS REQUIRED

- SCREWDRIVER/DRILL
- 11/32" NUT DRIVER

SUPPLIED BY INSTALLER

- DRYWALL SCREWS

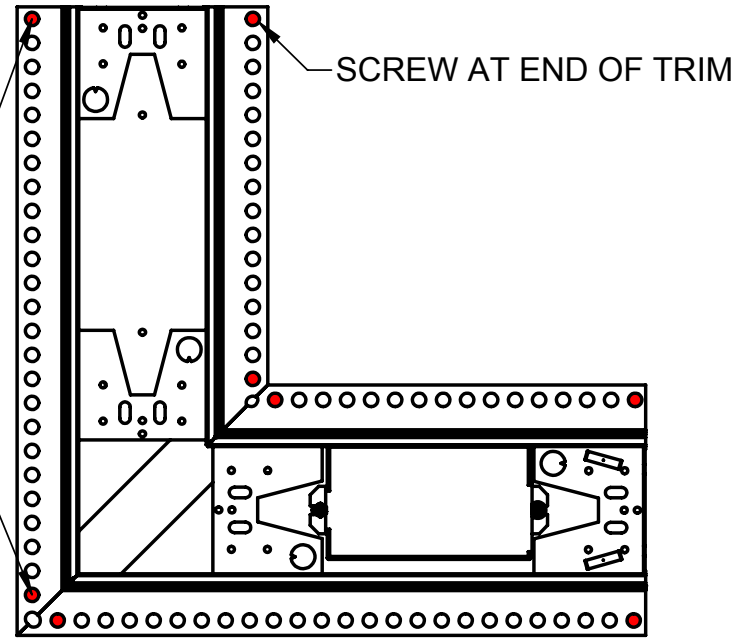
1 INSTALL ONE OF THE LINEAR FIXTURES ADJACENT TO THE CORNER PER INSTRUCTION SHEET 510638.



REMOVE LED REFLECTOR MODULES OF CORNER FIXTURE BY REMOVING 1/4 TURN FASTENERS. ALLOW MODULES TO HANG DOWN ON NYLON TETHERS.

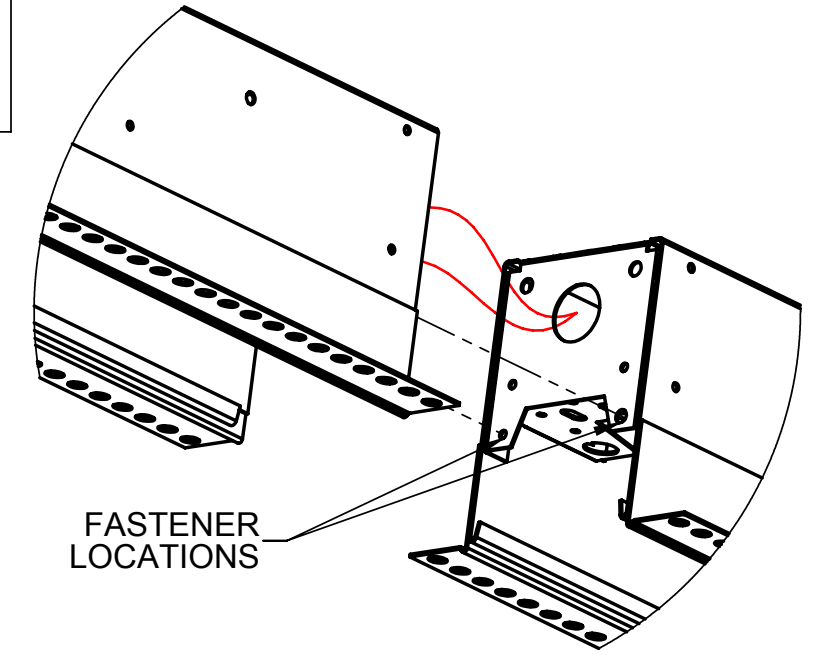
2

SCREW EVERY 12" (MIN.)



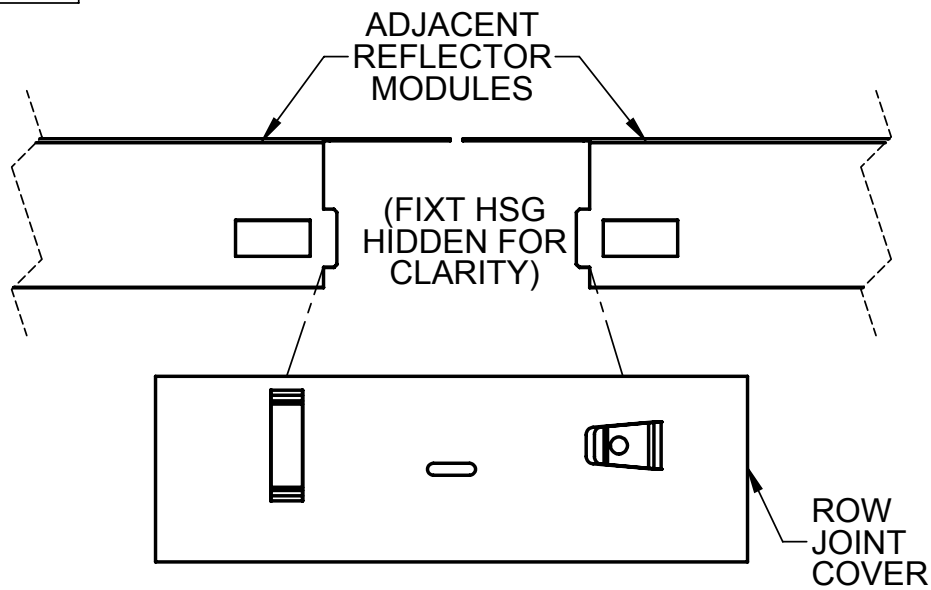
LIFT AND INSTALL CORNER FIXTURE INTO CEILING OPENING. LOOSELY SECURE SPACKLE TRIMS USING DRYWALL SCREWS AT LOCATIONS SHOWN (IN RED). DO NOT FULLY TIGHTEN AT THIS STEP.

3



JOIN CORNER FIXTURE WITH MOUNTED LINEAR FIXTURE. FOR 3L, USE (2) #8 SHEET METAL SCREWS. FOR 4L AND 6L, USE (2) 8-32 X 3/8" LONG MACHINE SCREWS AND NUTS. DO NOT OVERTIGHTEN WITH POWER DRILL. ROUTE BRANCH CIRCUIT WIRING VIA FEED HOLE AT FIXTURE JOINT. TIGHTEN DRYWALL SCREWS AFTER ENSURING THAT FIXTURES ARE LEVEL AND ALIGNED.

4 INSTALL LINEAR FIXTURE AT OTHER SIDE OF CORNER. REFER TO INSTRUCTION SHEET 510638. JOIN WITH CORNER FIXTURE AS DESCRIBED IN STEP 4.



REPLACE LED REFLECTOR MODULE. CLEAN FIXTURE EXTERIORS WITH A GENERAL WINDOW CLEANER. ATTACH ROW JOINT COVER PLATES, AS SHOWN, AT BOTH FIXTURE JOINTS.

5

APPLY PLASTER COAT OVER SPACKLE TRIMS, COVERING DRYWALL SCREWS. PLASTER COAT UP TO BEADED EDGE OF TRIM. AVOID GETTING PLASTER ON INSIDE SURFACES OF FIXTURE.

SNAP DIFFUSERS INTO BOTTOM OF HOUSING AS SHOWN. TO REMOVE, INSERT SCREWDRIVER OR FLAT HEAD PRY TOOL INTO SIDE OF HOUSING AND PULL DOWN.

