

INSTALLATION
INSTRUCTIONS

FIXTURE TYPE _____

2L,3L,4L,6L
WALL TO CEILING
PG.1 OF 1

P/C 510646-00

DO NOT MODIFY OR ALTER THIS PRODUCT IN ANY WAY, OR INSTALL IN ANY FASHION WHICH IS CONTRARY TO THE INSTRUCTIONS CONTAINED HEREIN. IF YOU HAVE ANY QUESTIONS REGARDING THIS PRODUCT OR THE INSTALLATION OF IT, PLEASE CALL LITECONTROL ENGINEERING AT 781-294-0100.

GENERAL NOTES (READ SHEETS COMPLETELY BEFORE STARTING)

1. Leave protective wrapping material on fixture until fixtures are mounted. This will protect finish from damage.
2. Fixtures are supplied with factory installed branch circuit wiring. Refer to supplemental instruction sheet for making connections.
3. Fixtures are mounted in a drywall framed plaster ceiling supported with drywall screws (supplied by installer) inserted thru holes in fixture Spackle Trims and End Caps. Drywall Screws are placed in holes at both ends of Spackle Trim and approximately every 12" along length of fixture.

Note It is **VERY IMPORTANT** to maintain the fixture width dimensions pointed out in the Cross Sections in order for the lense to snap in properly.

Approximate weight of fixture is 3.5 lbs per foot of fixture length.

INSTRUCTIONS

1. Detach the Led Reflector Assy from fixture by removing screws and shifting them out letting them hang down on the nylon tethers.

1. WALL TO CEILING MOUNTING FIXTURES:

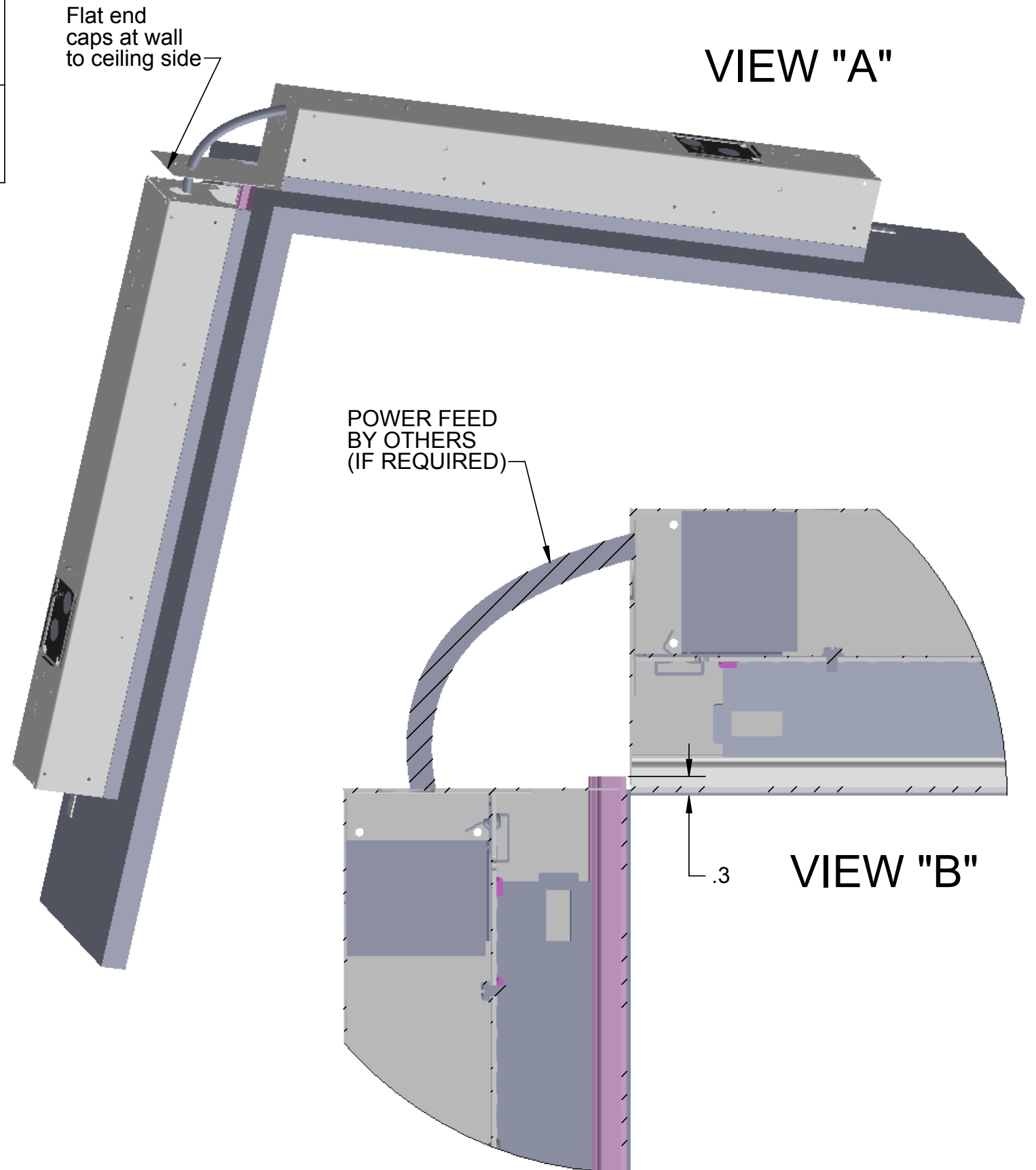
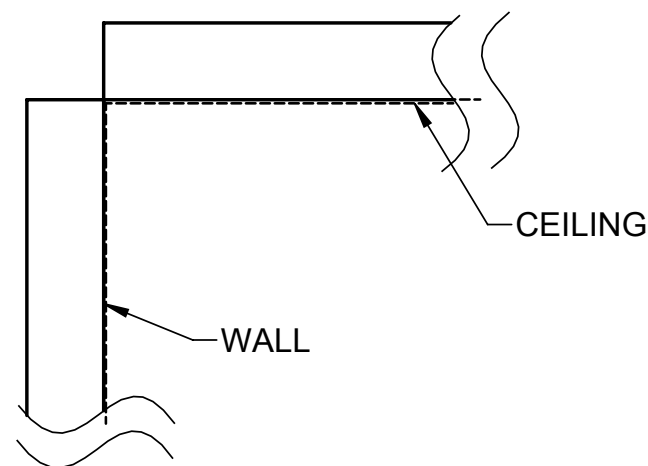
- A) Install end caps onto fixtures. The end of each fixture on the ceiling to wall side requires flat end caps (provided) as shown in view A
- B) Make all wiring connections in fixture access openings. If power feed between wall fixture to ceiling fixture is needed, detach the reflector from fixture to access the wiring. Use appropriate power feed (by others) between wall to ceiling fixtures as shown in view A.
- C) Mount fixtures in a drywall framed plaster ceiling and wall supported with drywall screws (supplied by installer) inserted thru holes in fixture Spackle Trims and End Caps. Drywall Screws are placed in holes at both ends of Spackle Trim and approximately every 12" along length of fixture. A minimum of two screws are required thru each End Cap trim
- D) Align seams at wall to ceiling corner before tightening all screws. Wall mount fixture end should be flush to the ceiling opening, the ceiling fixture end should be flush with the wall mount fixture

2. Replace all Led Reflector Modules, attach Row Joint wireway Covers (shipped separately) at row joints by sliding them into reflector Led module assy. (NOTE: Row Joint Wireway Covers not applicable to 2L)

3. Clean fixture exteriors with a general window cleaner.

4. Apply finish plaster coat over Spackle Trims, covering drywall screws. Plaster coat up to beaded edge of trim as shown on page 1. Avoid getting plaster on inside surfaces of fixture.

5. **DIFFUSER INSTALLATION:** DIFFUSERS are snapped into the fixture opening on the fixture bottom rails. Cut wall mount fixture lens slightly longer than the fixture length, slide the wall lens toward the ceiling to cover the wall to ceiling seam. See view B, overlap the lens into ceiling fixture surface by 0.3"



NOTE: INSTALL DIFFUSERS BEFORE SCREWING DRYWALL SCREWS INTO CEILING/WALL. REMOVE THEM BEFORE APPLYING PLASTER COAT. THIS WILL ENSURE THAT THE FIXTURE DOES NOT PINCH AND THE DIFFUSER WILL INSTALL PROPERLY.