

**INSTALLATION INSTRUCTIONS**

FIXTURE TYPE \_\_\_\_\_

**MODx DIFFUSER INSTALLATIONS**

P/C 510647-02

PG. 1 OF 2

DO NOT MODIFY OR ALTER THIS PRODUCT IN ANY WAY, OR INSTALL IN ANY FASHION WHICH IS CONTRARY TO THE INSTRUCTIONS CONTAINED HEREIN. IF YOU HAVE ANY QUESTIONS REGARDING THIS PRODUCT OR THE INSTALLATION OF IT, PLEASE CALL LITECONTROL ENGINEERING AT 781-294-0100.

**GENERAL NOTES: (READ SHEET COMPLETELY BEFORE STARTING)**

1. Diffusers are installed after fixtures have been mounted. Refer to page 2 for "ASYM" Lens/Fixture orientation. Refer to fixture Installation Instructions for all others.
2. Diffusers are shipped separately from fixtures and are provided in different lengths to suit the type of the fixture. Refer to table below for dimensions.
3. Diffusers can be cut with chop saw using carbide tooth blade.

**DIFFUSER INSTALLATION: See Views**

Use caution when installing diffusers to prevent LED damage.

A) SOF FLUSH LENSES are snapped into fixture opening and rest on the edge of bottom rails.

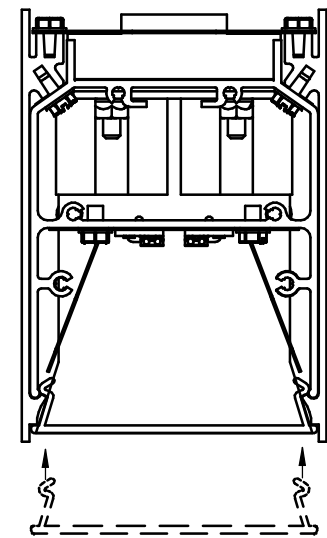
**For All Row Lengths** lenses are supplied in 96" lengths. The last section of lens in each row will need to be field cut, (see view). After all other lenses have been installed and butted end to end, measure remaining opening, remove 1/4" from final measurement to allow for lens expansion and cut this lens with saw to suit. For sensor diffuser kits, install fixture mounted sensor as shown in "VIEW 1"

B) REG REGRESSED LENSES are snapped into fixture opening and rest on the edge of bottom rails.

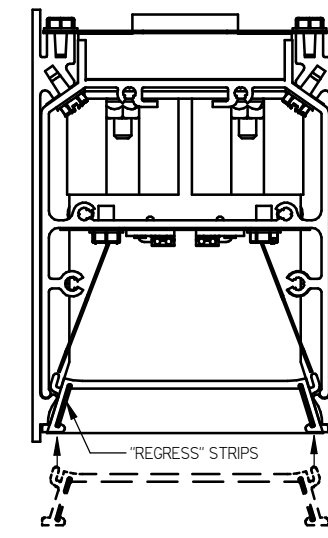
**For All Row Lengths** lenses are supplied in 96" lengths. The last section of lens in each row will need to be field cut, (see view). After all other lenses have been installed and butted end to end, measure remaining opening, remove 1/4" from final measurement to allow for lens expansion and cut this lens with saw to suit. Trim metal "regress" strips per end cap installation sheet 510648 and reinstall strips/end caps as required.

C) BWO BAFFLE LENSES are snapped into fixture opening and rest on the edge of bottom rails.

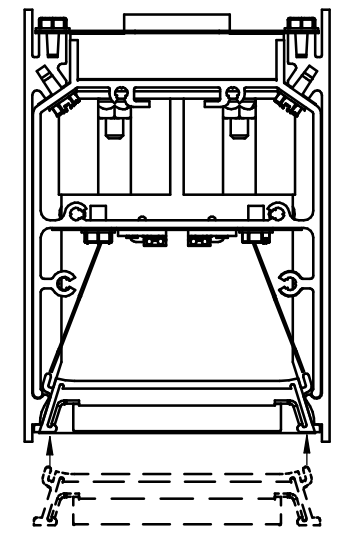
**For All Row Lengths** lenses are supplied in 96" lengths. The last section of lens in each row will need to be field cut, (see view). After all other lenses have been installed and butted end to end, measure remaining opening, remove 1/4" from final measurement to allow for lens expansion and cut this lens with saw to suit. Trim baffle to length with tin snips to fit new length lens, deburr edges and reinstall into lens. Take care to ensure the cut side of the baffle faces the end cap.



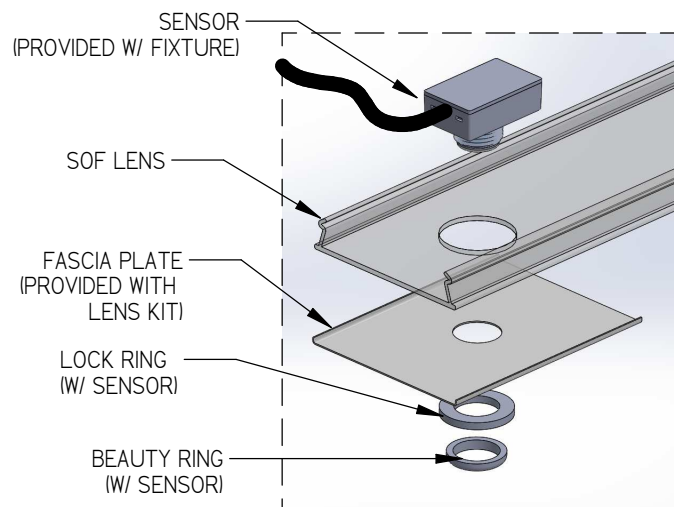
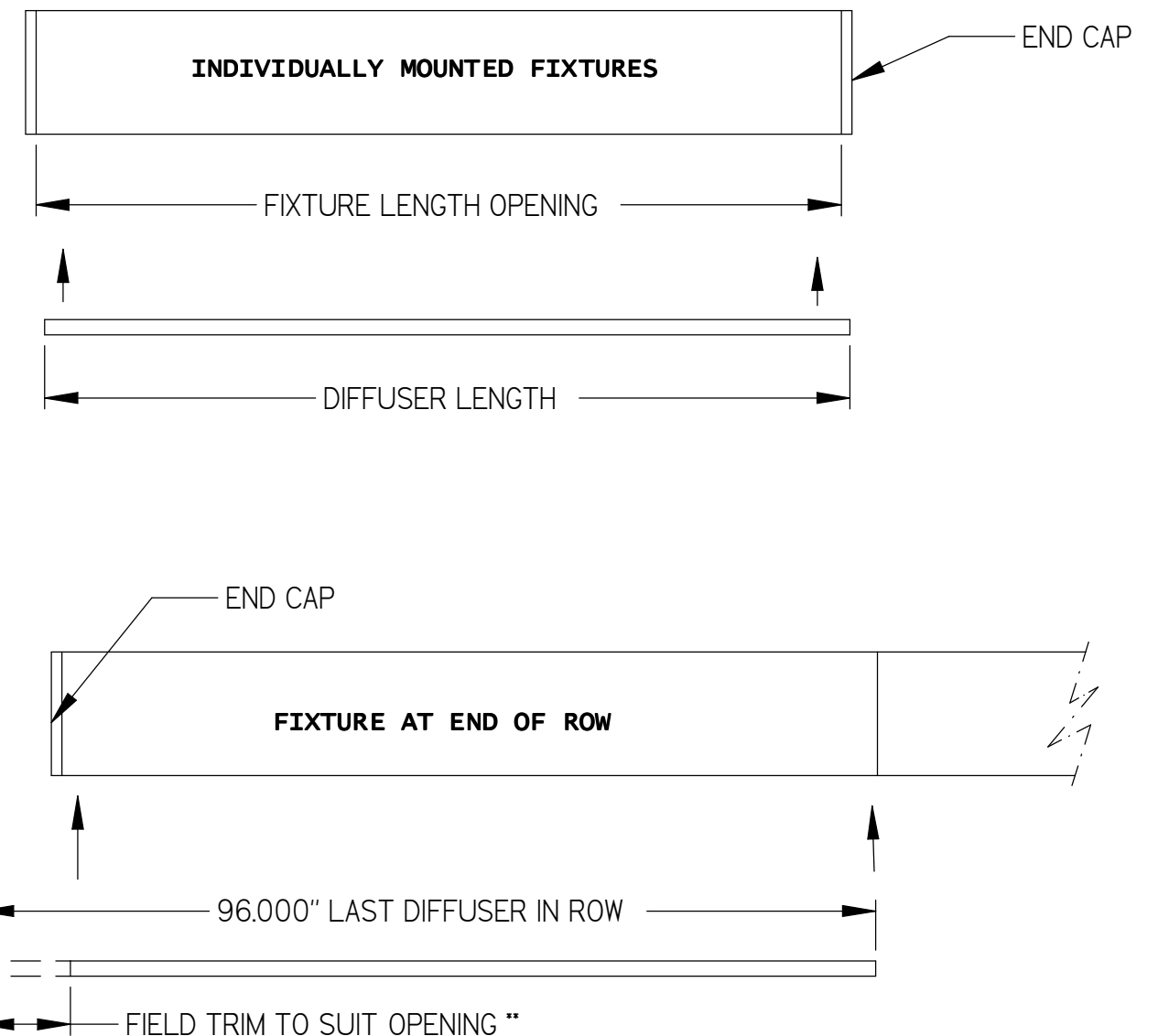
**SOF FLUSH SNAP IN DIFFUSER**



**REG REGRESSED FLUSH SNAP IN DIFFUSER**



**BWO BAFFLE SNAP IN DIFFUSER**



**VIEW 1 - SENSOR INSTALLATION**

Diffuser Length Chart				
Row Length	15/16" T-Bar ceiling (LG)	9/16" T-Bar Narrow Grid or Screwslot ceiling (NG or SS)	Drywall or Plaster Trim ceiling (DW or PT)	Pendant, Wall or Surface mount (P, W or S)
2'	22.750	23.125	23.750	23.812
3'	34.750	35.125	35.750	35.812
4'	46.750	47.125	47.750	47.812
5'	58.750	59.125	59.750	59.812
6'	70.750	71.125	71.750	71.812
7'	96.000**	96.000**	96.000**	96.000**
8'	94.750	95.125	95.750	95.812
9'	47.812	47.812	47.812	47.812
	96.000**	96.000**	96.000**	96.000**
10'	47.812	47.812	47.812	47.812
	96.000**	96.000**	96.000**	96.000**
11'	47.812	47.812	47.812	47.812
	96.000**	96.000**	96.000**	96.000**
12'	47.812	47.812	47.812	47.812
	96.000**	96.000**	96.000**	96.000**
2'-3"	n/a	n/a	26.750	n/a
2'-6"	n/a	n/a	29.750	n/a
2'-9"	n/a	n/a	32.750	n/a
3'-3"	n/a	n/a	38.750	n/a
3'-6"	n/a	n/a	41.750	n/a
3'-9"	n/a	n/a	44.750	n/a

\* LENGTH OF THE DIFFUSERS MAY VARY WITHIN 1/16"  
 \*\* THESE DIFFUSERS ARE FIELD CUT AND INSERTED INTO LAST FIXTURE IN ROW.

ALL OTHER ROW LENGTHS SUPPLIED WITH 96" LONG DIFFUSERS, AND LAST DIFFUSER IN ROW IS FIELD CUT TO SUIT OPENING.

INSTALLATION INSTRUCTIONS

FIXTURE TYPE \_\_\_\_\_

MODx DIFFUSER INSTALLATION (ASYM VERSION)

PG. 2 OF 2

P/C 510647-02

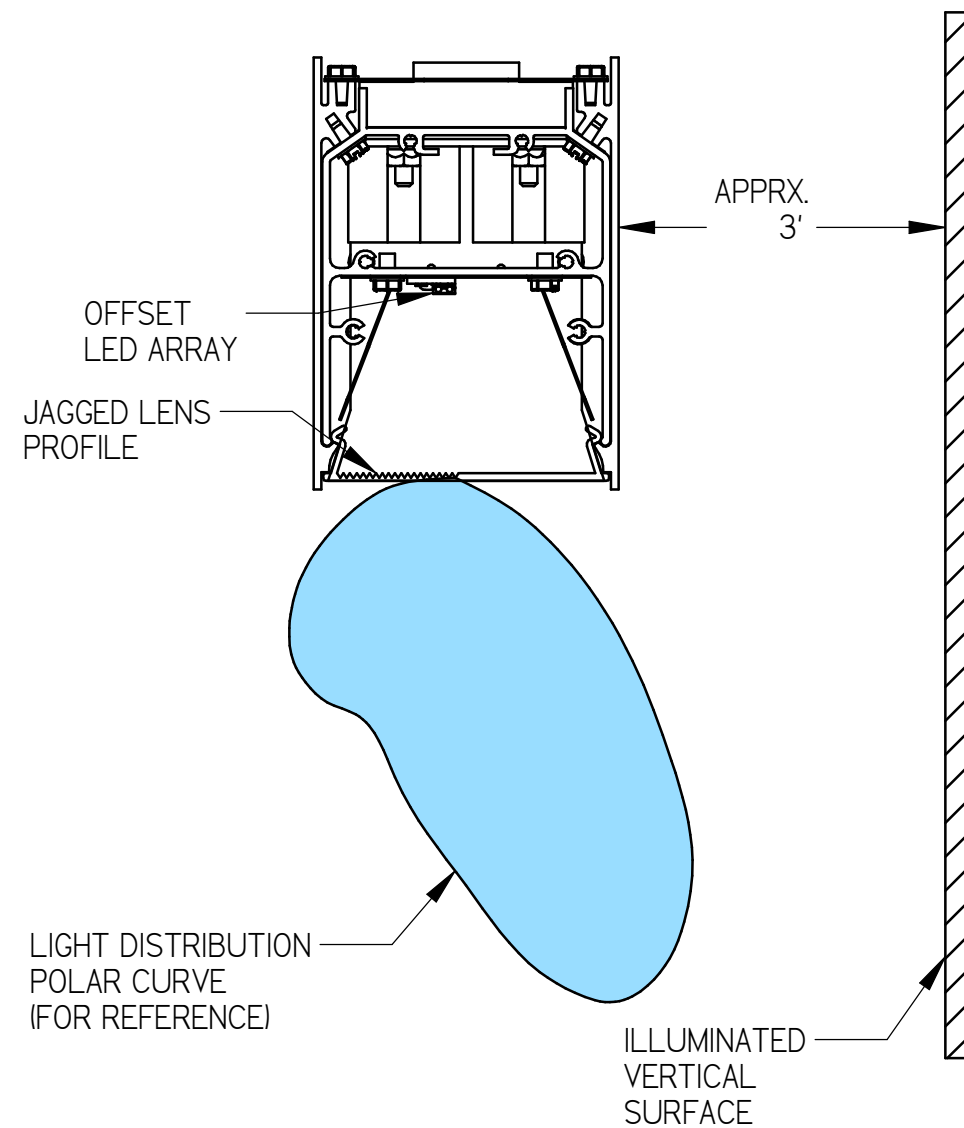
DO NOT MODIFY OR ALTER THIS PRODUCT IN ANY WAY, OR INSTALL IN ANY FASHION WHICH IS CONTRARY TO THE INSTRUCTIONS CONTAINED HEREIN. IF YOU HAVE ANY QUESTIONS REGARDING THIS PRODUCT OR THE INSTALLATION OF IT, PLEASE CALL LITECONTROL ENGINEERING AT 781-294-0100.

DIFFUSER INSTALLATION (CONTINUED): See Views

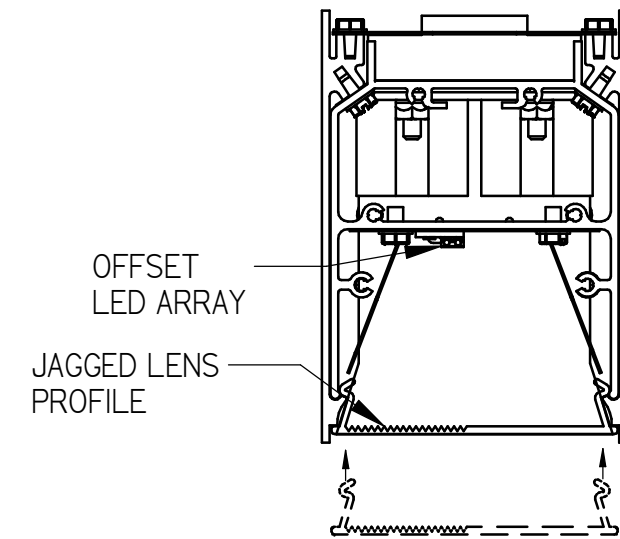
Use caution when installing diffusers to prevent LED damage.

D) ASYM FLUSH LENSES are snapped into fixture opening and rest on the edge of bottom rails. **Be sure to orient lens so the jagged lens profile is directly below the offset LED array**

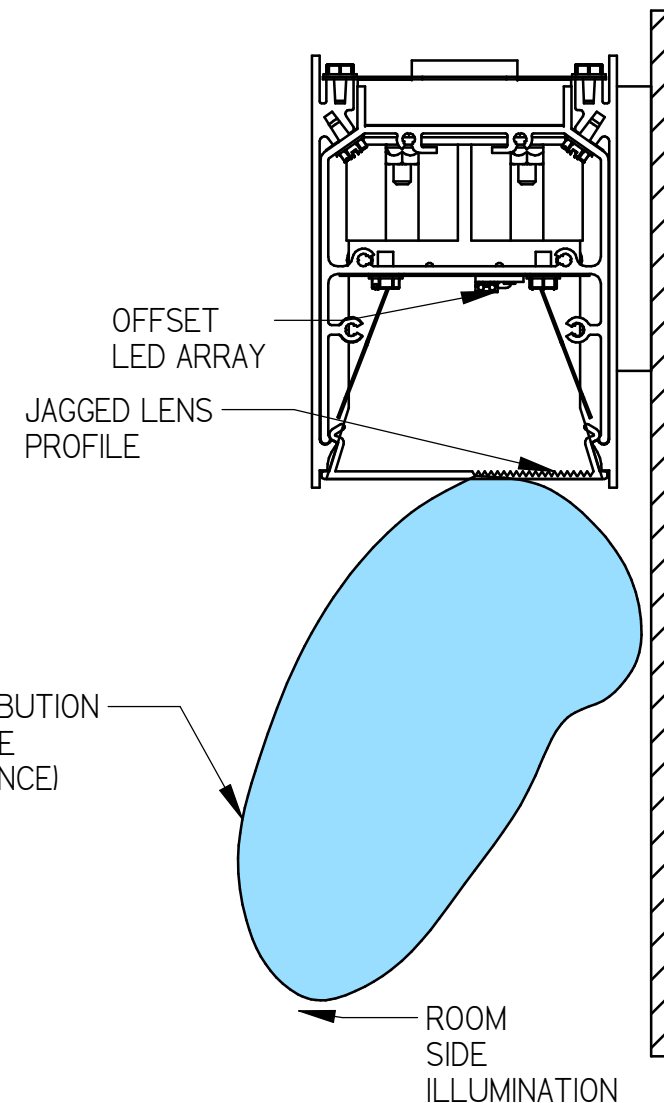
**For All Row Lengths** lenses are supplied in 96" lengths. The last section of lens in each row will need to be field cut, (see view). After all other lenses have been installed and butted end to end, measure remaining opening, remove 1/4" from final measurement to allow for lens expansion and cut this lens with saw to suit. For sensor diffuser kits, install fixture mounted sensor as shown in "VIEW 1"



PENDANT, SURFACE or RECESSED



ASYM FLUSH SNAP IN DIFFUSER



WALL MOUNTED