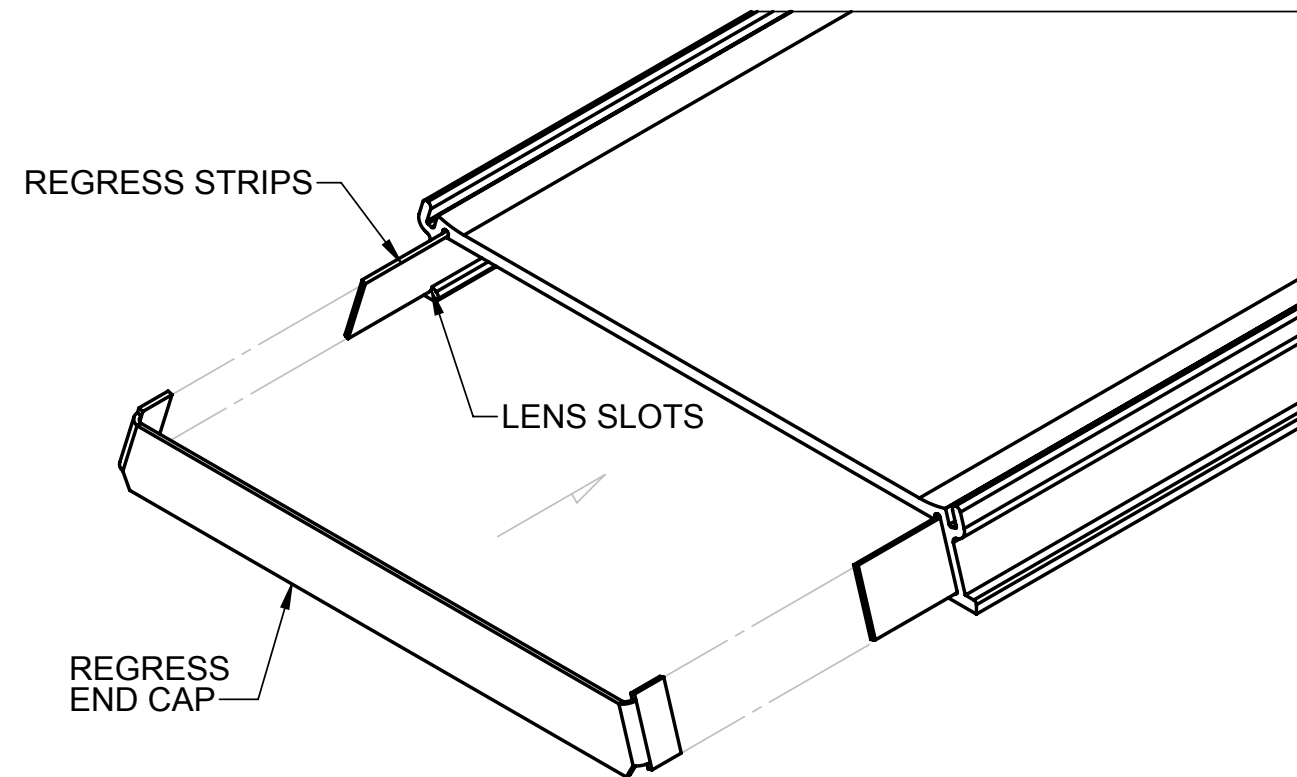


DO NOT MODIFY OR ALTER THIS PRODUCT IN ANY WAY, OR INSTALL IN ANY FASHION WHICH IS CONTRARY TO THE INSTRUCTIONS CONTAINED HEREIN. IF YOU HAVE ANY QUESTIONS REGARDING THIS PRODUCT OR THE INSTALLATION OF IT, PLEASE CALL LITECONTROL ENGINEERING AT 781-0294-0100

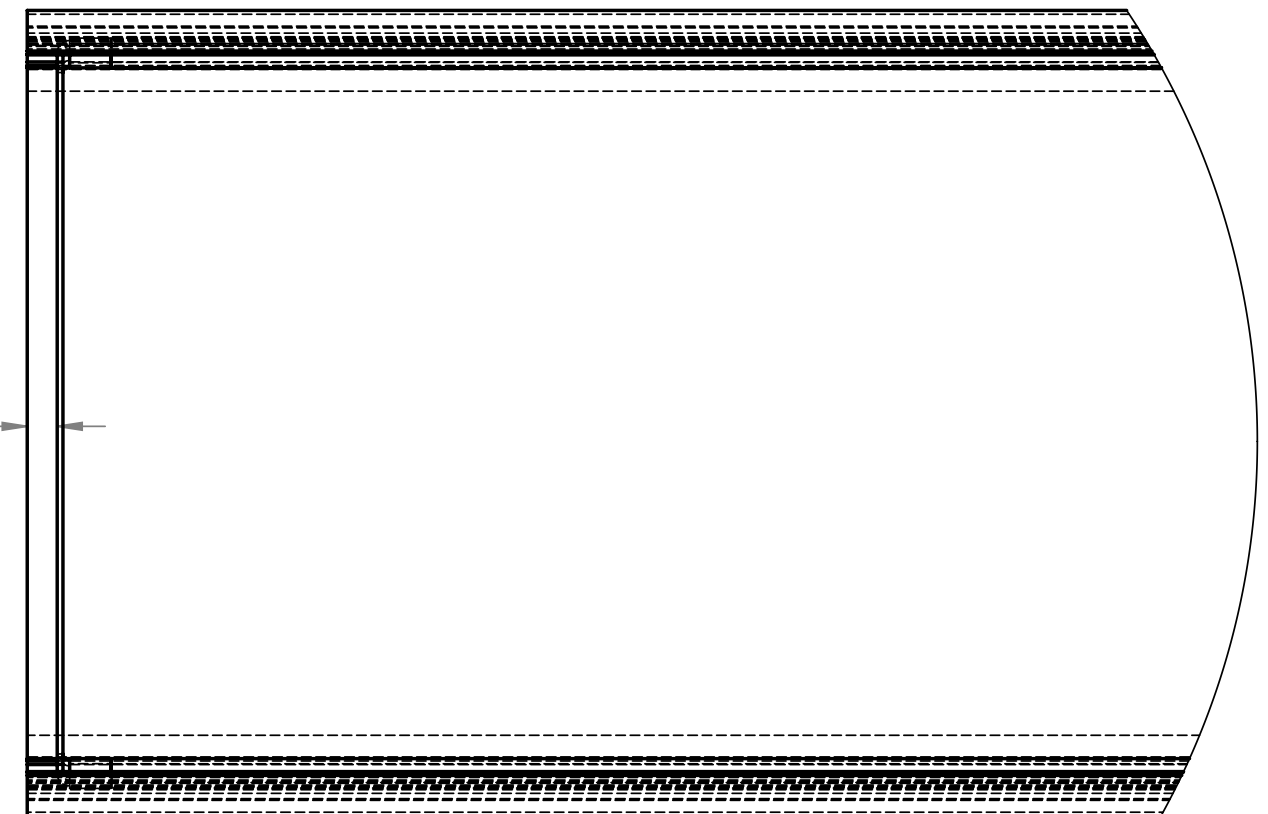
REGRESS LENS END CAP INSTALLATION: See Views

A) INDIVIDUAL LUMINAIREs are provided with lens kits already cut to fit. Install end caps into lens slots. Be sure to center strips in slots so the "END CAP DISTANCE FROM EDGE" is equal.

B) ROW MOUNTED LUMINAIREs are provided with lens kits that need to be cut to fit per 510647. Trim regress strips approx. 1/2" shorter than trimmed lens (per end), use tin snips and deburr edges. Install strips and end caps into lens slots. Be sure to center strips in slots so the "END CAP DISTANCE FROM EDGE" is equal on both ends of the row.



1/8" ± 1/32"
END CAP
DISTANCE FROM
EDGE



REGRESS LENS ASSEMBLY BOTTOM VIEW