

GENERAL NOTES: (READ SHEET COMPLETELY BORE STARTING)

1. LEAVE PROTECTIVE WRAPPING ON FIXTURE(S) UNTIL START OF INSTALLATION.
2. FIXTURES ARE SUPPLIED WITH FACTORY-INSTALLED BRANCH CIRCUIT WIRING. REFER TO SUPPLEMENTAL INSTRUCTION SHEET 510401 WHEN MAKING CONNECTIONS.
3. APPROXIMATE WEIGHT OF FIXTURE IS 2.875 LBS PER FOOT OF LENGTH.
4. FEED CORDS ARE FACTORY-INSTALLED ON INDIVIDUAL FIXTURES. FOR ROW MOUNTED FIXTURES, FEED CORD IS FACTORY INSTALLED AT END OF ROW LEFT (EORL) FIXTURE ONLY. IF ADDITIONAL FEED CORDS ARE REQUIRED FOR THE ROW, THEY WILL BE SUPPLIED BY LITECONTROL, BUT FIELD INSTALLED BY CONTRACTOR.

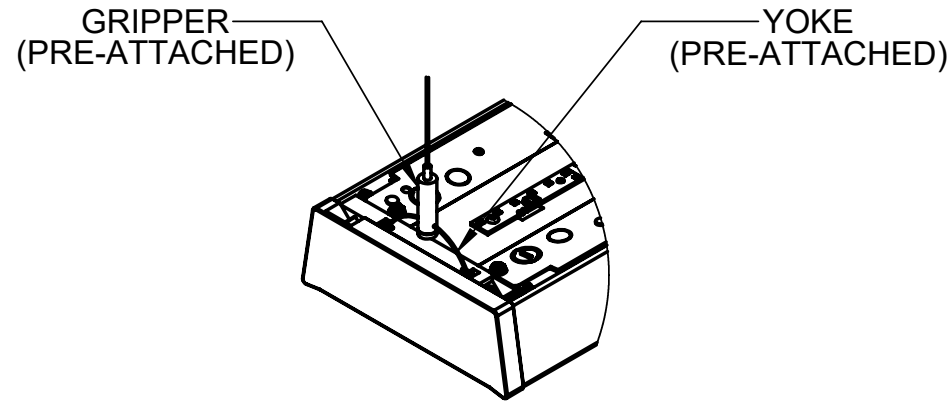
TOOLS REQUIRED

- 3/16" Hex head allen tool
- Wire cutters
- Screwdriver/drill

SUPPLIED BY INSTALLER

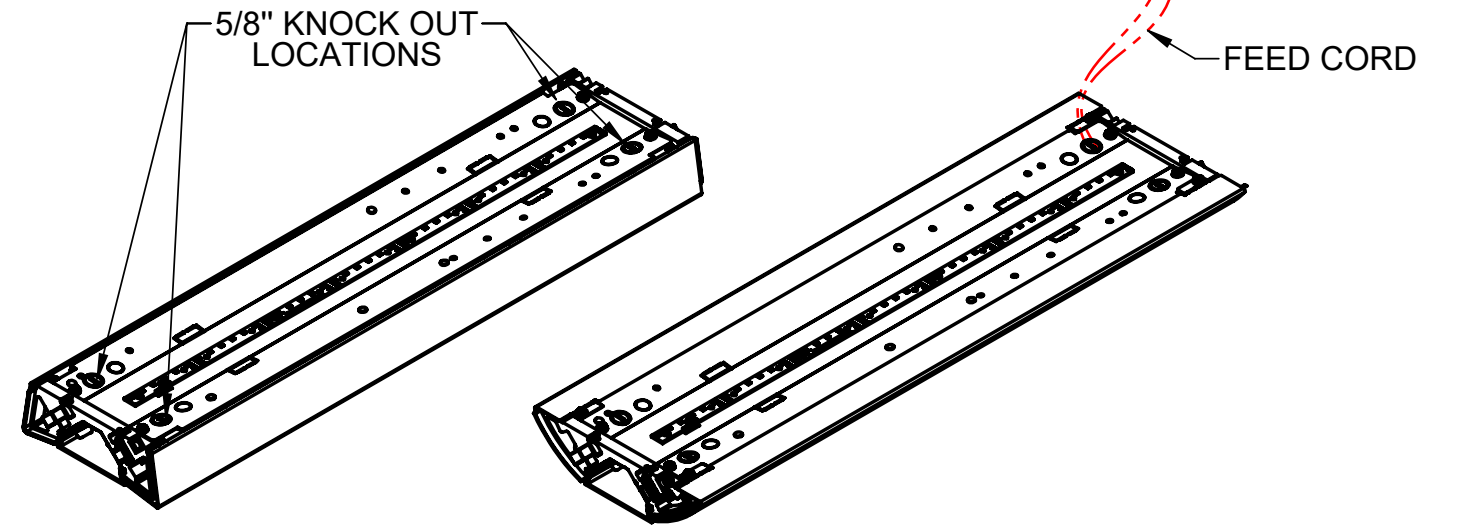
- N/A

1



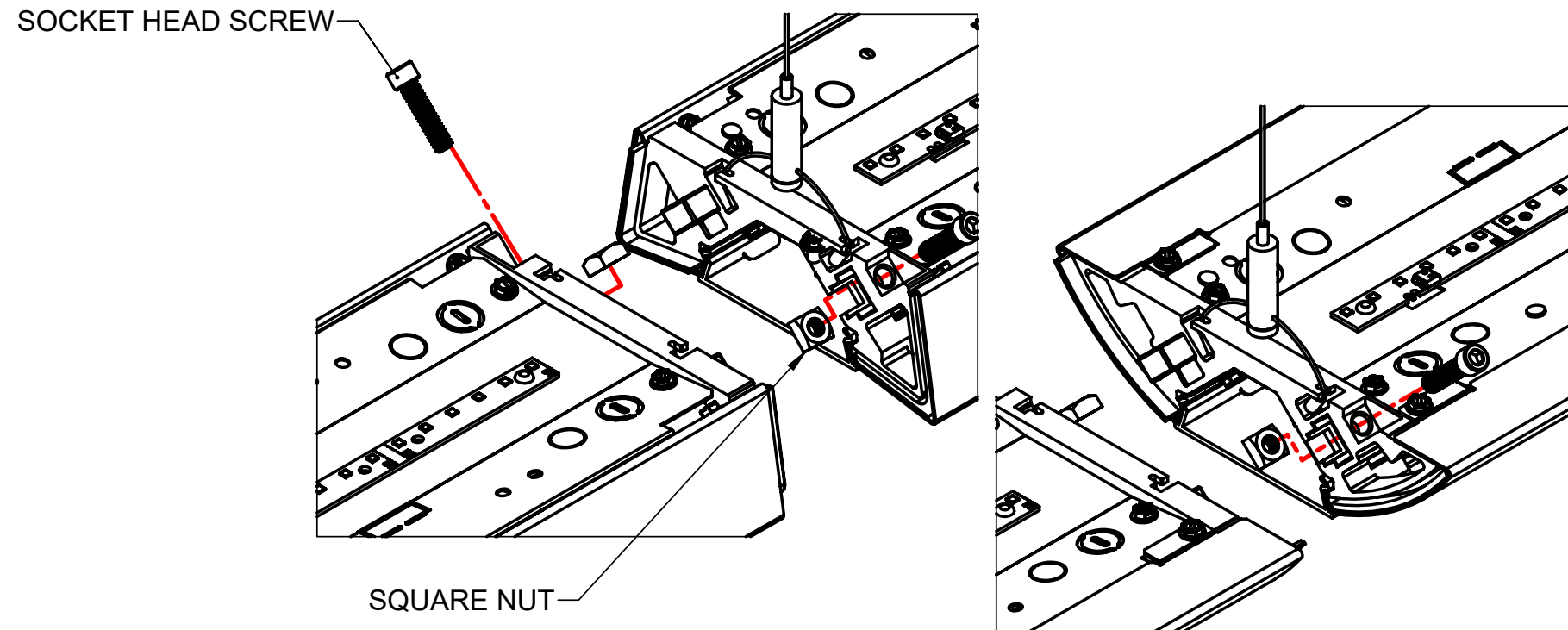
FOR INDIVIDUAL FIXTURE, LIFT FIXTURE UP TO THE AIRCRAFT CABLES AND PASS THE CABLES THROUGH THE GRIPPERS. LEVEL FIXTURE BY ADJUSTING GRIPPERS UP OR DOWN. REFER TO CABLE INSTRUCTION SHEET 510481. FOR ROW MOUNTED FIXTURES, PERFORM THIS STEP AND PROCEED TO STEP 3. IF ADDITIONAL FEEDS ARE REQUIRED FOR THE FIXTURE/ROW PROCEED TO STEP 2.

2



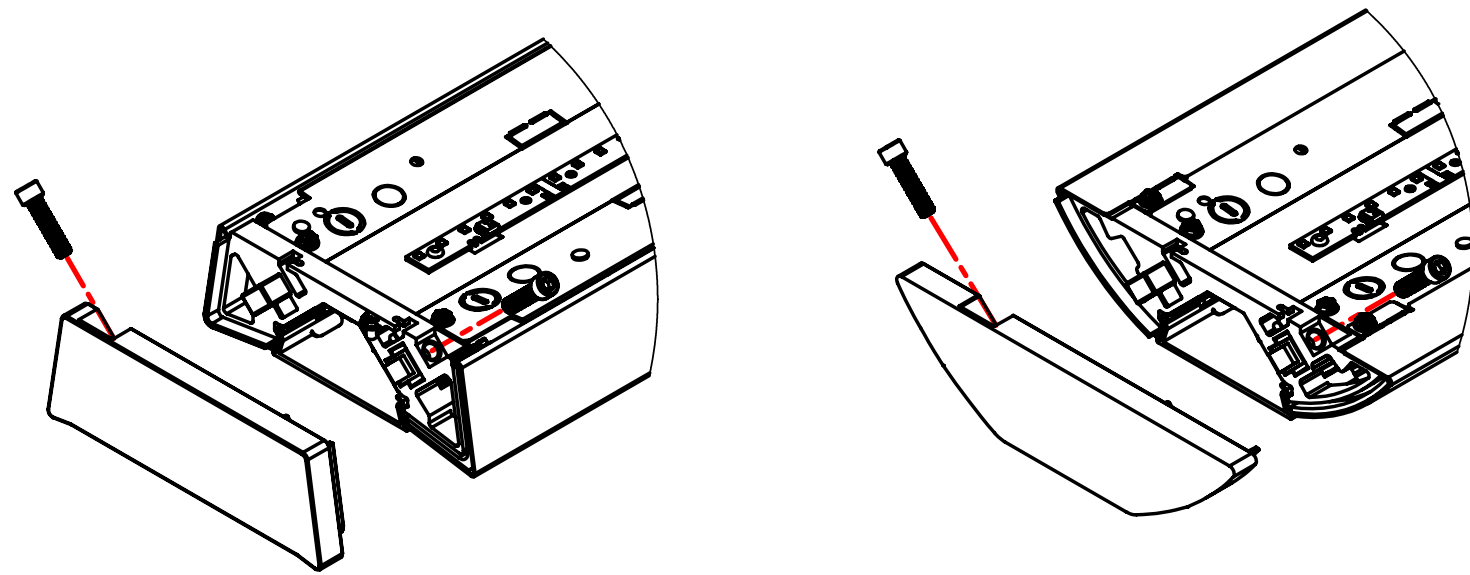
WHEN ADDITIONAL FEEDS ARE REQUIRED: REMOVE UPLIGHT LED MODULE PER STEP 6. REMOVE ANY OF THE FOUR 5/8" KO'S ON THE UPLIGHT LED MODULE ASSEMBLY, INSERT BUSHING AND FEED POWER CORD THROUGH, MAKE WIRING CONNECTIONS. REPLACE UPLIGHT LED MODULE ASSEMBLY.

3



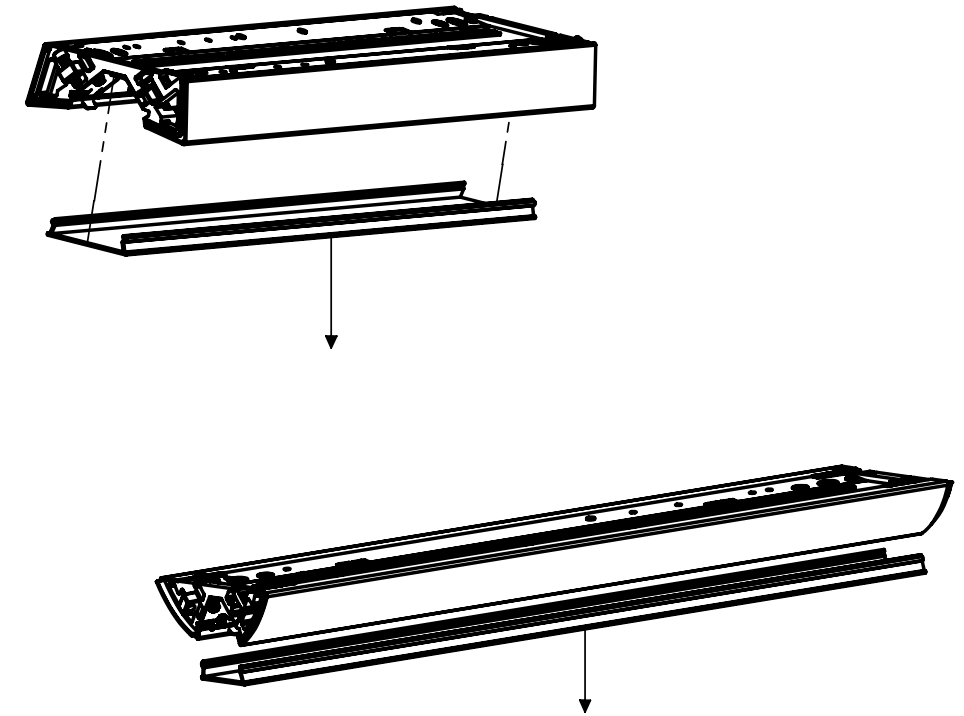
FOR ROW MOUNTED FIXTURES, SLIDE THE END HEADERS INTO THEIR RESPECTIVE SLOTS AND ATTACH 1/4"-20 SOCKET HEAD SCREWS AND 1/4"-20 SQUARE NUTS INTO END HEADER USING A 3/16" HEX ALLEN TOOL. REPEAT FOR EACH ADDITIONAL FIXTURE IN ROW

4 END CAP REMOVAL



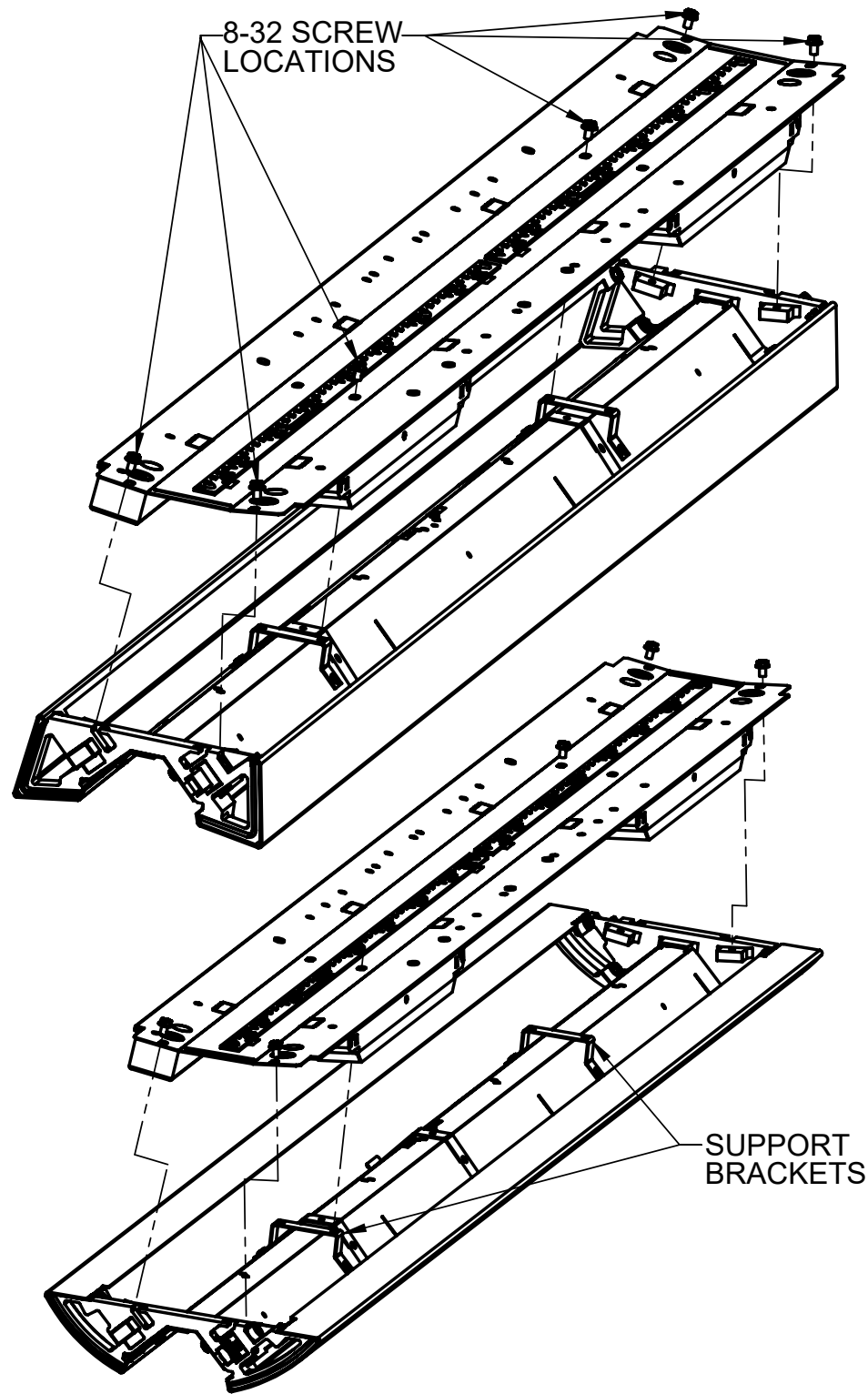
REMOVE END CAPS BY UNSCREWING THE 1/4"-20 SOCKET HEAD SCREWS FROM THE 1/4"-20 SQUARE NUT INSIDE HEADER, THEN SLIDE END CAP OUT FROM END HEADER.

5 LENS REMOVAL



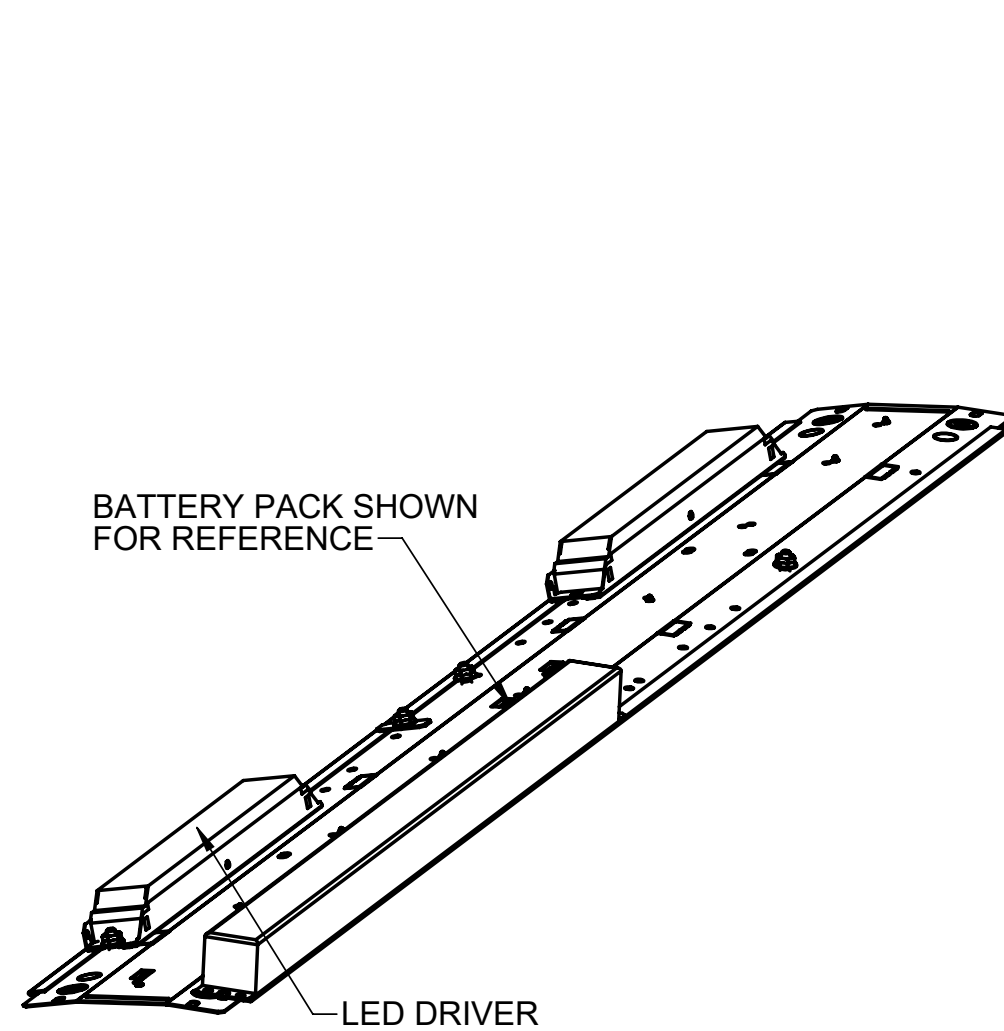
REMOVE LENS BY GENTLY UNSNAPPING IT FROM BOTTOM OF FIXTURE.

6 UP-LIGHT LED REFL ASSEMBLY REMOVAL



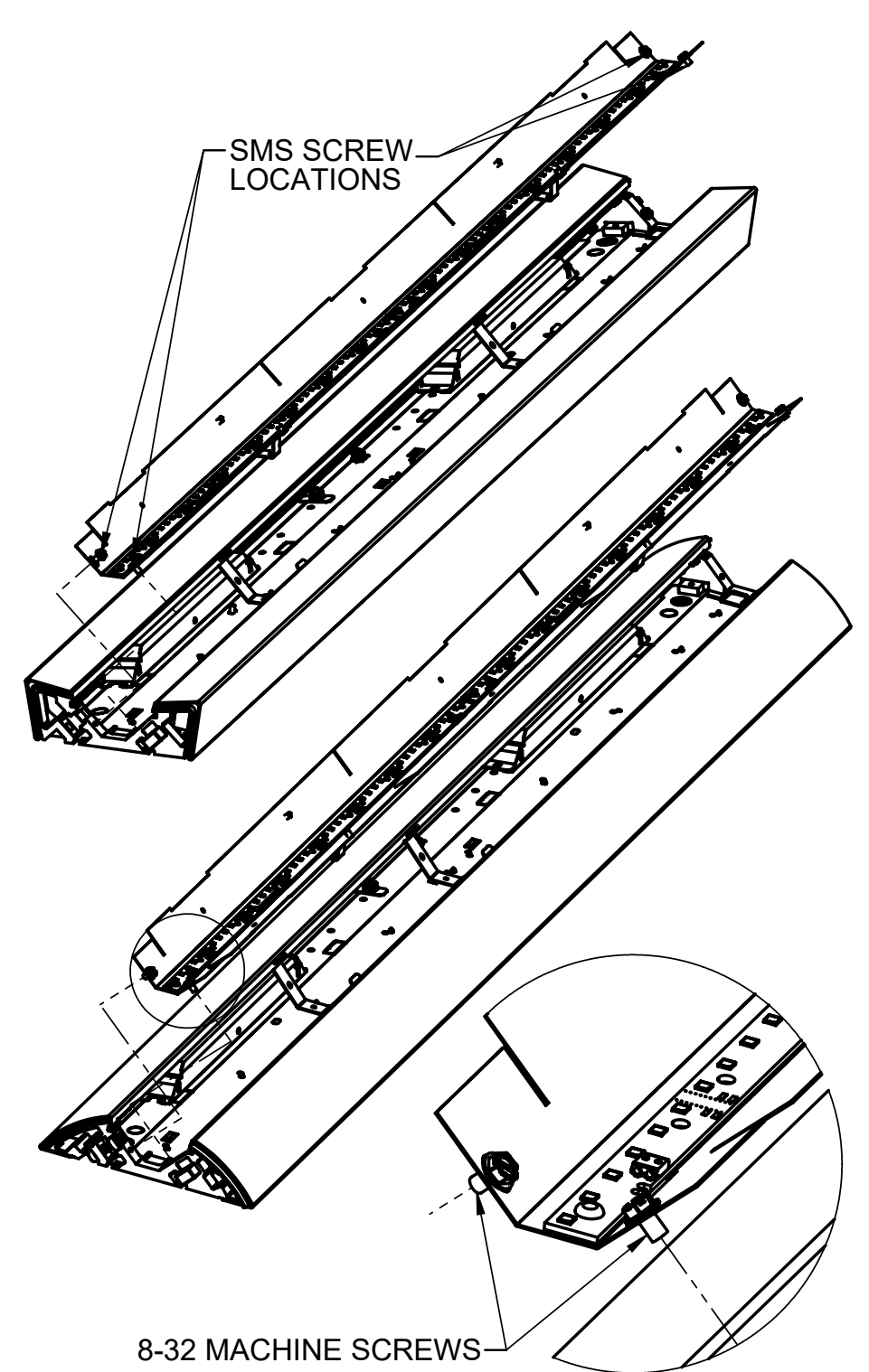
REMOVE THE (6) 8-32 SCREWS ON THE TOP OF THE UP-LIGHT LED MODULE AS SHOWN.

7 DRIVER REMOVAL



FLIP THE UPLIGHT LED MODULE OVER TO ACCESS THE DRIVERS FOR MAINTENANCE.

8 DOWN-LIGHT REFL ASSEMBLY REMOVAL



THE BOTTOM LED MODULE CAN BE REMOVED BY UNSCREWING (4) 8-32 SCREWS. (FIXTURE SHOWN UPSIDE DOWN FOR CLARITY)