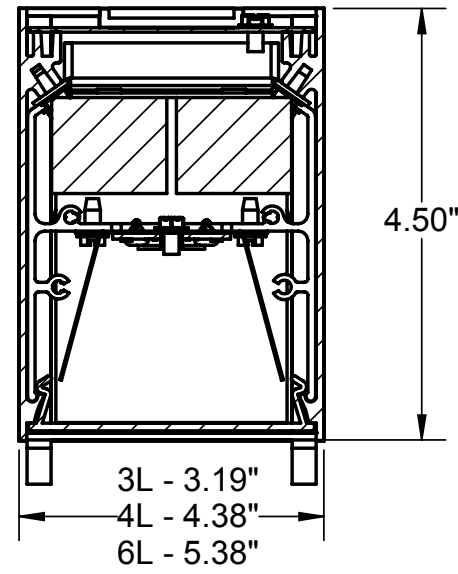
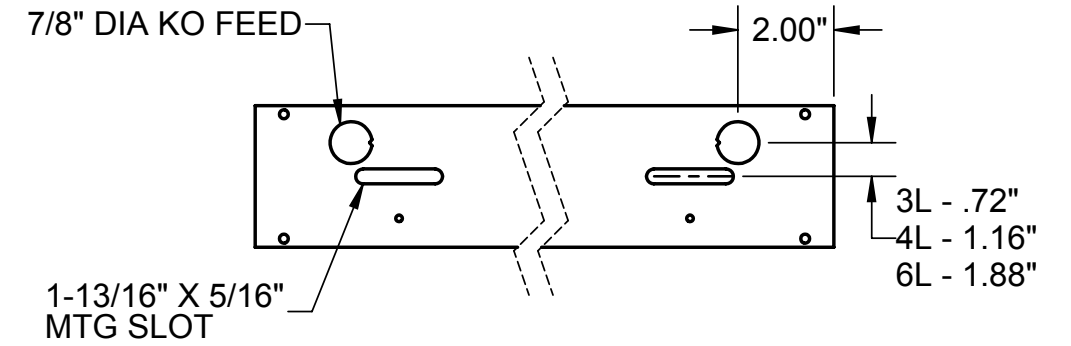


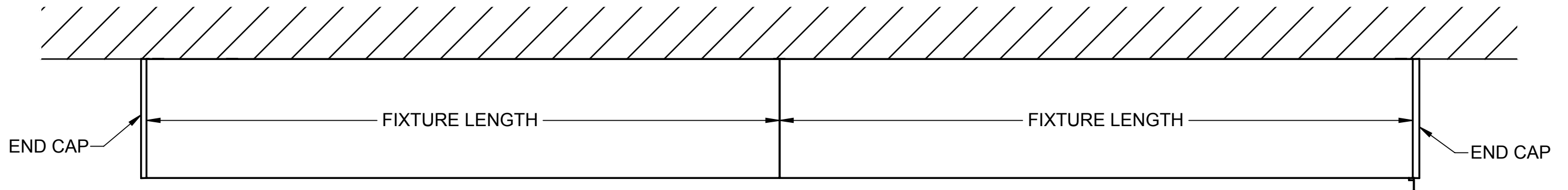
SIDE VIEW - INDIVIDUALLY MOUNTED



CROSS SECTION VIEW



PLAN VIEW



SIDE VIEW - ROW MOUNTED

GENERAL NOTES: (READ SHEETS COMPLETELY BEFORE STARTING)

1. LEAVE PROTECTIVE WRAPPING MATERIAL ON FIXTURES UNTIL START OF INSTALLATION TO PROTECT FINISH FROM DAMAGE.
2. FIXTURES ARE SUPPLIED WITH FACTORY INSTALLED BRANCH CIRCUIT WIRING. REFER TO SUPPLEMENTAL INSTRUCTION SHEET WHEN MAKING CONNECTIONS.
3. APPROXIMATE WEIGHT OF FIXTURE IS 3.50 LBS PER FOOT OF LENGTH.

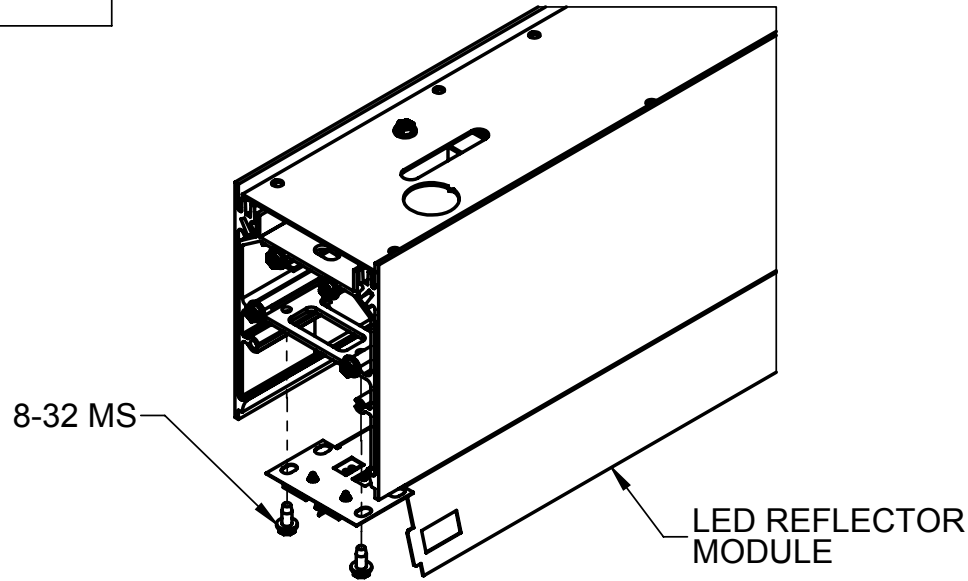
TOOLS REQUIRED

- SCREWDRIVER/DRILL

SUPPLIED BY INSTALLER

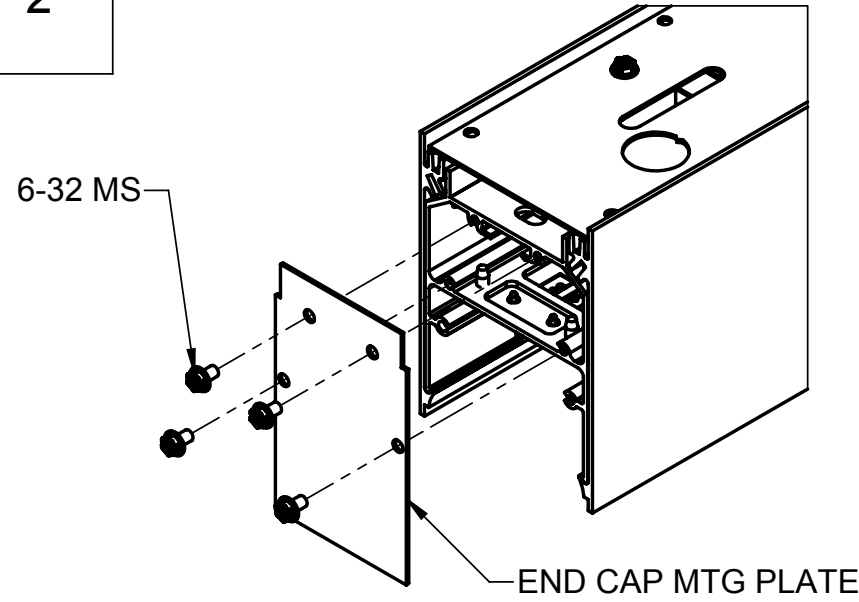
- ANCHOR SCREWS AND WASHERS

1 LOCATE FIXTURE DIMENSIONS ALONG STRAIGHT LINE ON THE CEILING. SEE SIDE VIEW ON PAGE 1.



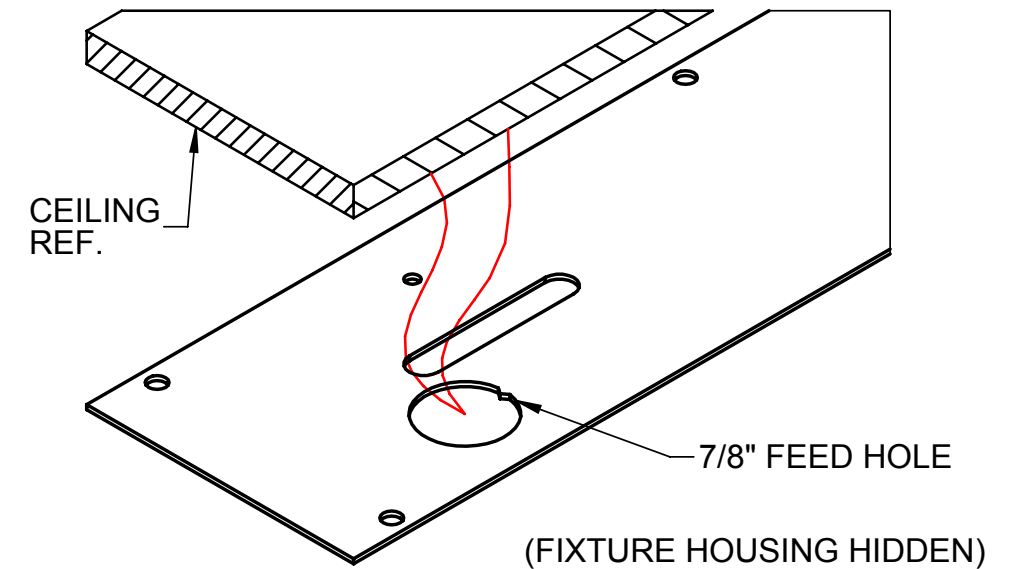
PEEL BACK FOAM WRAPPING AND DETACH LED REFLECTOR MODULES BY LOOSENING 8-32 MACHINE SCREWS. SCREWS ARE RETAINED BY LOCKING NUTS AND CANNOT BE REMOVED.

2



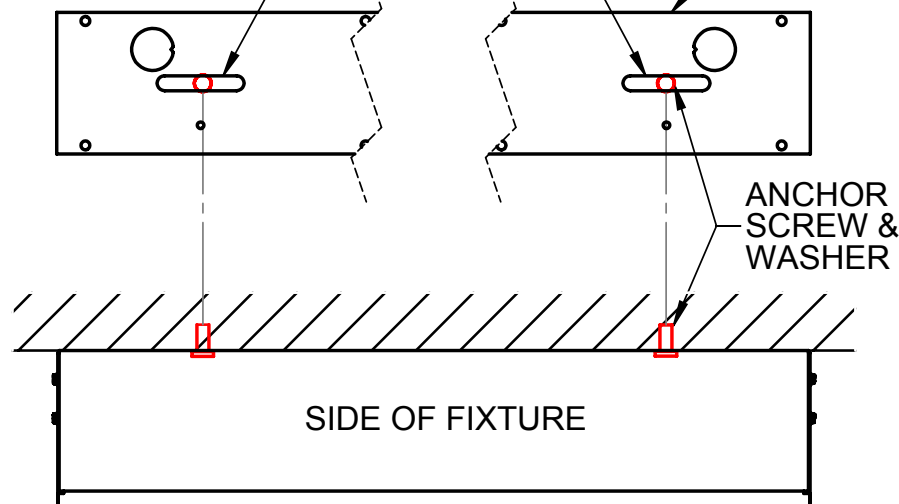
ATTACH END CAP MOUNTING PLATE (SHIPPED SEPARATELY) TO NEAR END OF 1ST FIXTURE WITH 6-32 MACHINE SCREWS PROVIDED. IF INSTALLING INDIVIDUAL FIXTURE, REPEAT FOR FAR END.

3



LIFT 1ST FIXTURE UP NEAR CEILING. BRING ELECTRICAL FEED THRU 7/8" HOLE AND INTO FIXTURE WIREWAY.

4 MTG SLOTS TOP OF FIXTURE

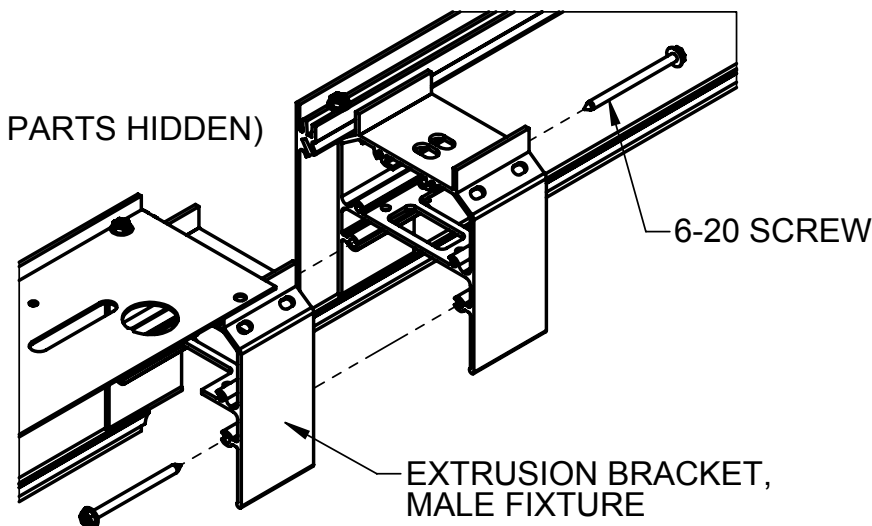


RAISE 1ST FIXTURE FLUSH TO CEILING. SECURE WITH (2) ANCHOR SCREWS AND WASHERS (SUPPLIED BY INSTALLER) THROUGH MOUNTING SLOTS INTO CEILING STRUCTURE.

IF INSTALLING INDIVIDUAL FIXTURE, SKIP TO STEP 6.

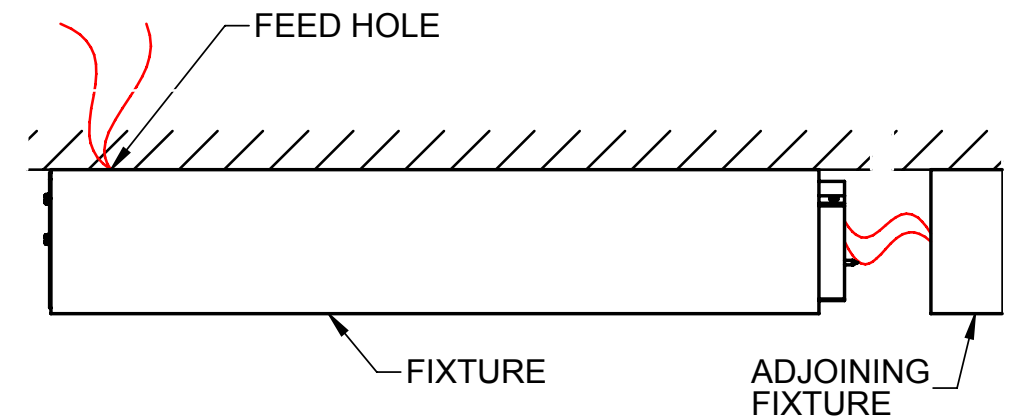
5

(SOME PARTS HIDDEN)



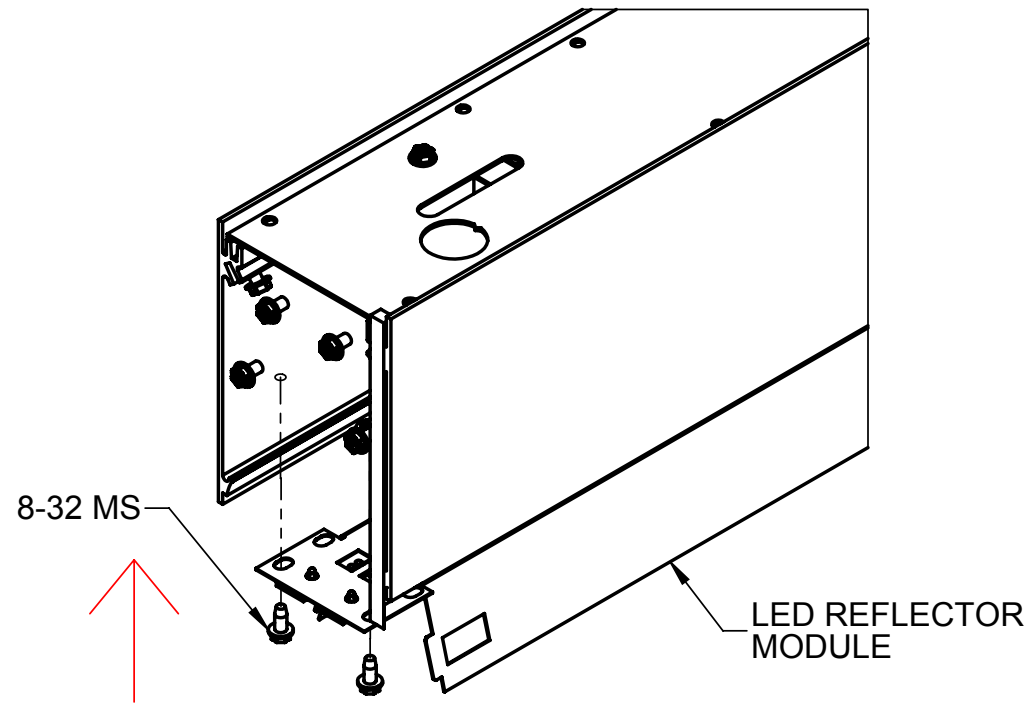
MOUNT NEXT FIXTURE IN ROW PER STEP 4. AT FIXTURE JOINT, ALIGN AND INSERT EXTRUSION BRACKET OF MALE FIXTURE INTO ADJOINING FIXTURE BEFORE SECURING JOINT USING 6-20 X 2" LONG HEX HEAD SCREWS. TIGHTEN EACH SCREW GRADUALLY, ALTERNATING BETWEEN SIDES. DO NOT OVER TIGHTEN EITHER SIDE AS THIS COULD CAUSE UNALIGNED FIXTURE STRAIGHTNESS AT JOINTS. IF REQUIRED, ADJUST MOUNTING SCREWS TO ENSURE PROPER ROW STRAIGHTNESS AND ALIGNMENT

6



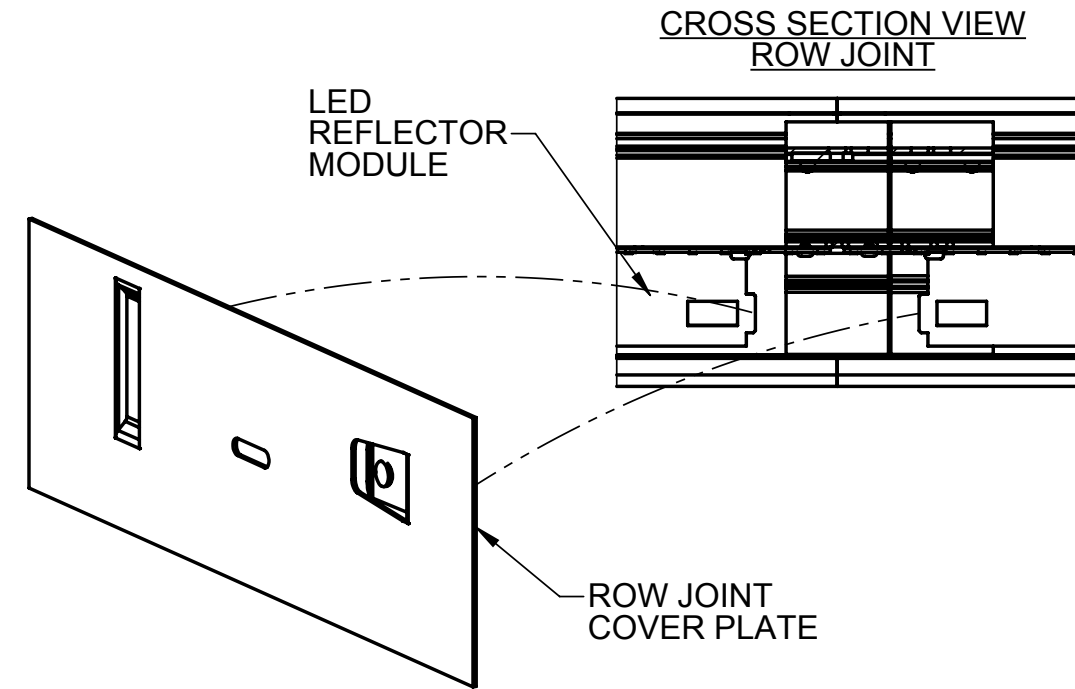
MAKE ELECTRICAL CONNECTIONS IN FIXTURE WIREWAY. IF INSTALLING ROW OF FIXTURES, ELECTRICAL FEED CAN BE AT ANY 7/8" HOLE LOCATION. BRANCH CIRCUIT WIRES CAN BE BROUGHT THROUGH EACH ROW JOINT.

7



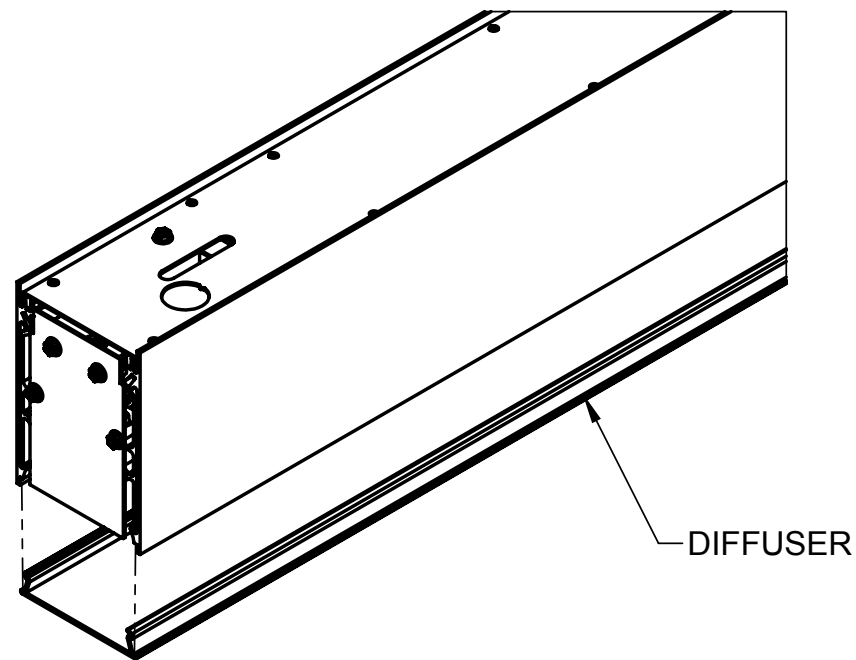
REATTACH LED REFLECTOR MODULE(S). CLEAN FIXTURE EXTERIOR WITH A GENERAL WINDOW CLEANER.

8



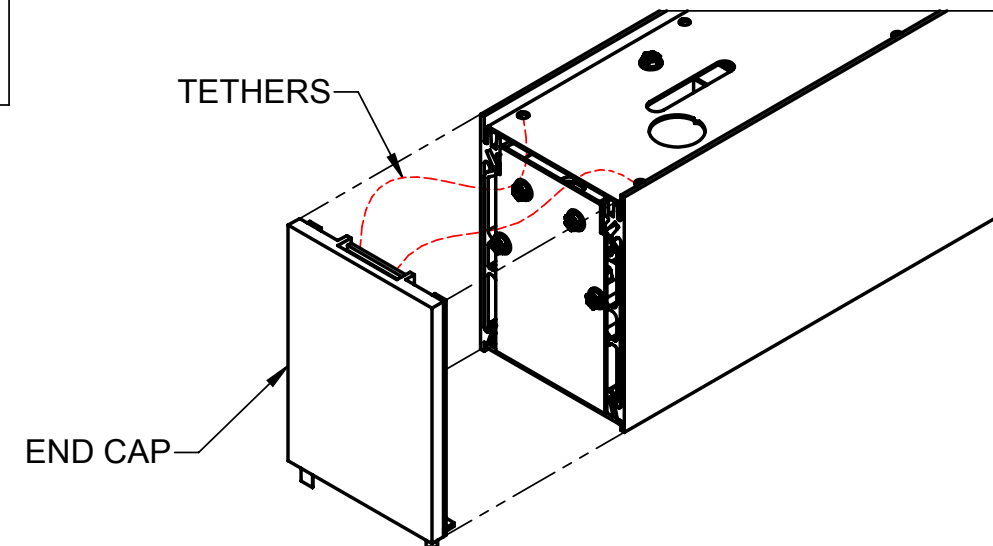
IF INSTALLING ROW, ATTACH ROW JOINT COVER PLATE(S) AT JOINT(S).

9



SNAP DIFFUSER INTO BOTTOM OF HOUSING. TO REMOVE, INSERT SCREW DRIVER OR FLAT HEAD PRY TOOL INTO THE SIDE SIDE OF THE HOUSING AND PULL DOWN. LAST DIFFUSER IN ROW MUST BE CUT TO LENGTH; SEE INSTRUCTION SHEET 510647.

10



IF INSTALLING INDIVIDUAL FIXTURE, ATTACH END CAPS TO EACH END OF FIXTURE.

IF INSTALLING ROW OF FIXTURES, ATTACH END CAPS TO EACH END OF ROW.

END CAPS HANG FROM FIXTURE VIA TETHERS. MAGNETS (FACTORY-INSTALLED) HOLD END CAPS IN PLACE. POSITION END CAPS SO THEY ARE FLUSH WITH SIDES OF HOUSING.