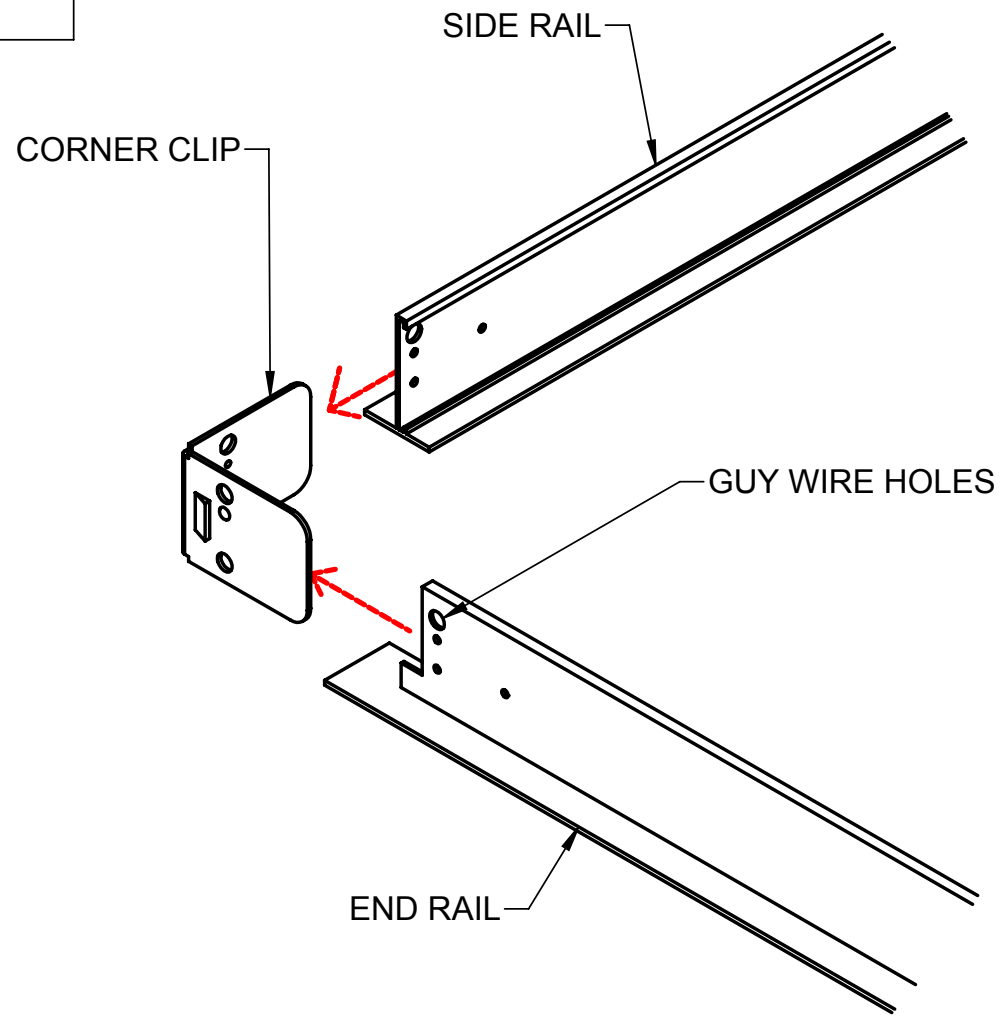
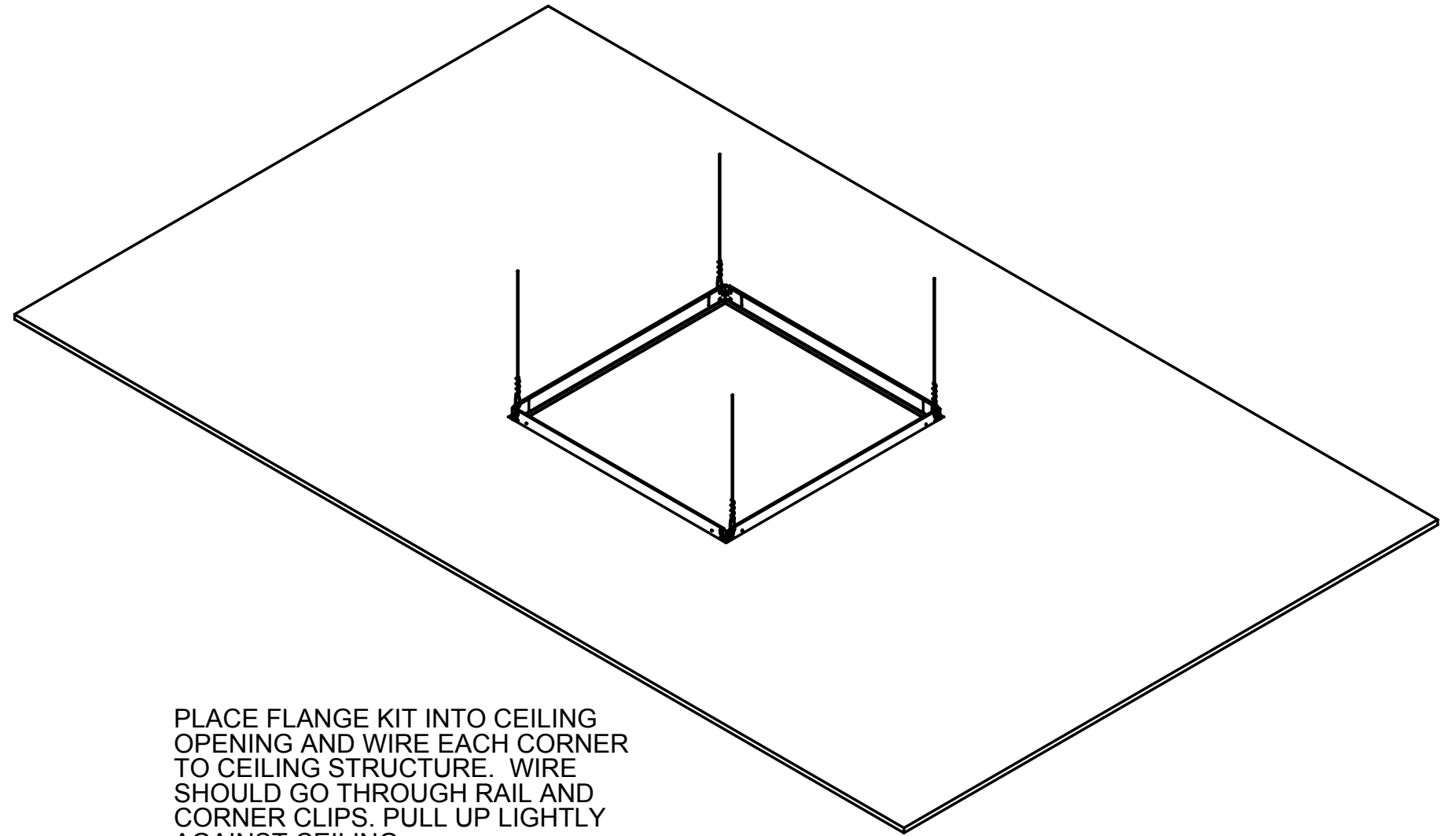


1



SECURE ALL SIDE RAILS AND END RAILS TO CORNER CLIPS. BE SURE DIMPLE RETENTION ENGAGES

2



PLACE FLANGE KIT INTO CEILING OPENING AND WIRE EACH CORNER TO CEILING STRUCTURE. WIRE SHOULD GO THROUGH RAIL AND CORNER CLIPS. PULL UP LIGHTLY AGAINST CEILING.

TOOLS REQUIRED

WIRE CUTTERS

SUPPLIED BY INSTALLER

GUY WIRE OR CHAIN
(WIRE RECOMMENDED)