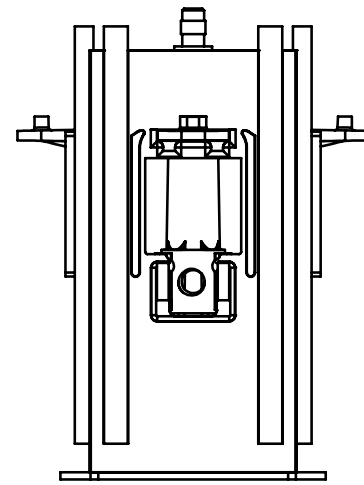
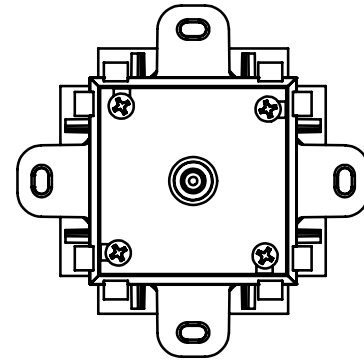
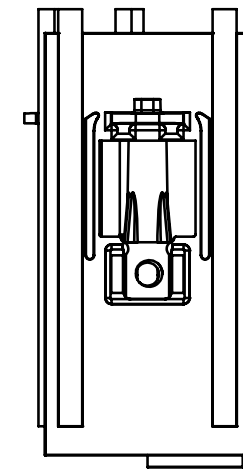
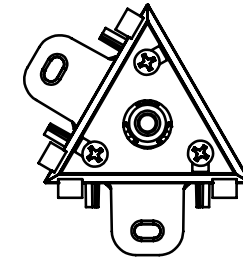


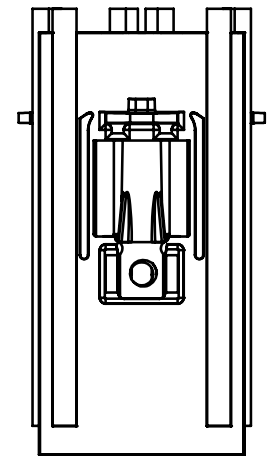
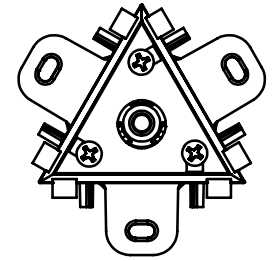
90° "L" Pattern Box



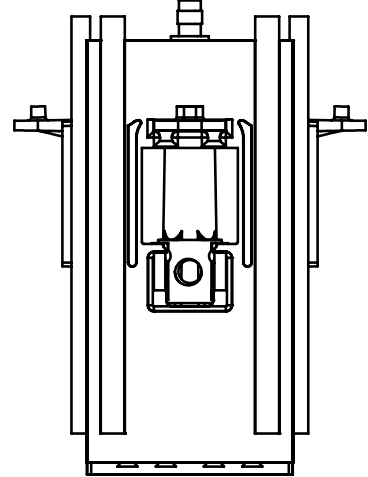
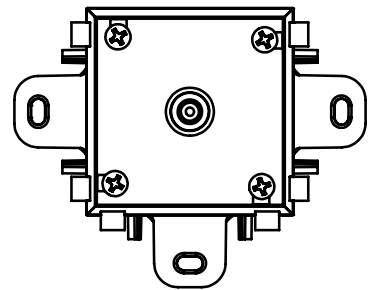
"X" Pattern Box



120° Pattern Box



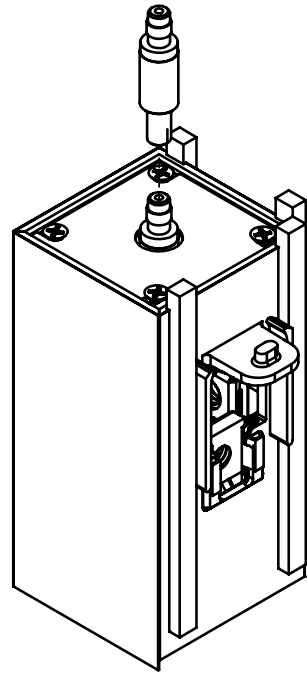
"Y" Pattern Box



"T" Pattern Box

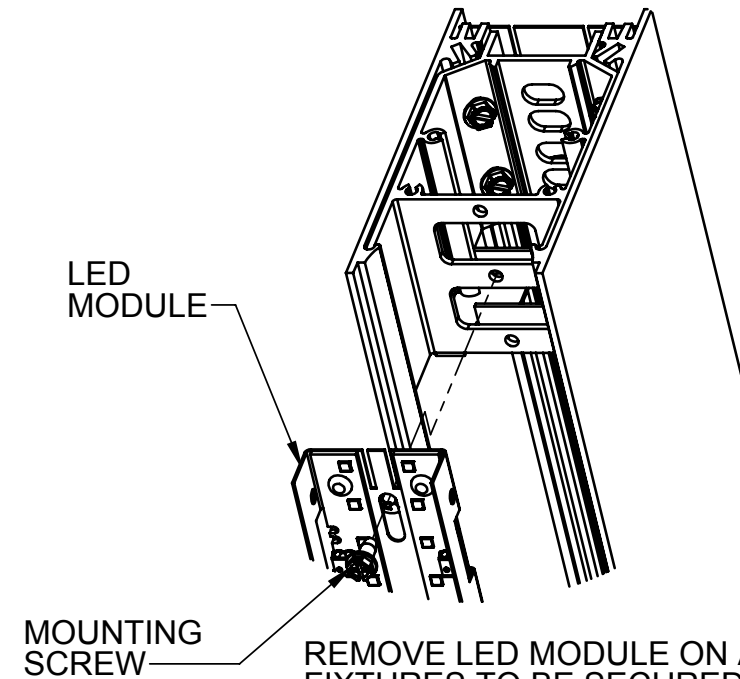
TOOLS REQUIRED	SUPPLIED BY INSTALLER
1/2" SOCKET WIRE CUTTERS SAW TO CUT DIFFUSERS (IF NEEDED)	

1



REMOVE CABLE GRIPPER FROM AIRCRAFT CABLE KIT (SHIPPED SEPARATELY) AND THREAD ONTO PATTERN BOX. INSTALL AIRCRAFT CABLE AND CANOPY TO CEILING PER INSTRUCTION SHEET 510541

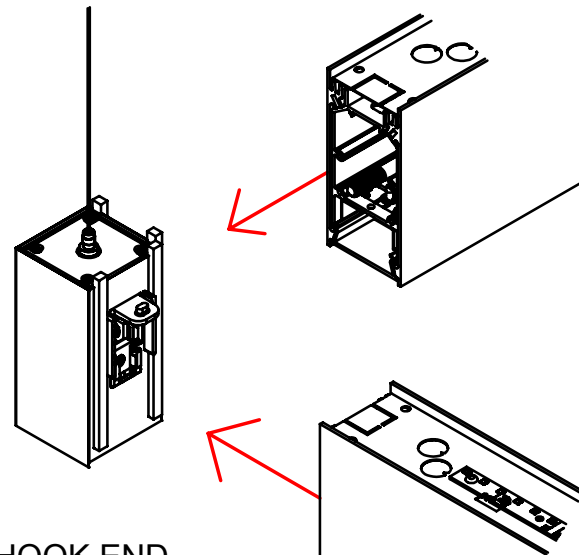
2



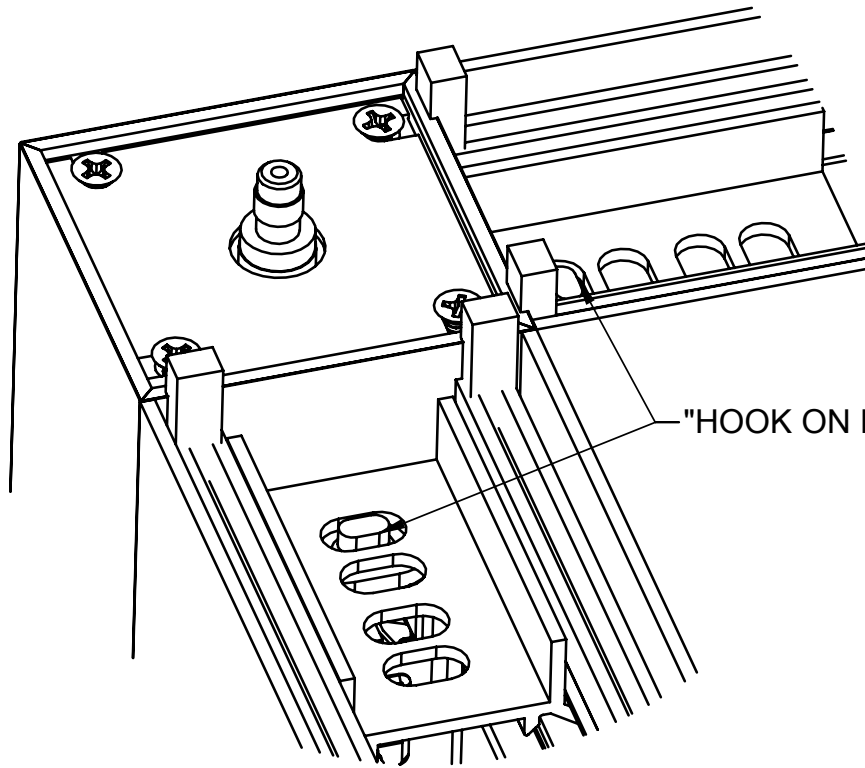
LED MODULE
MOUNTING SCREW

REMOVE LED MODULE ON ALL FIXTURES TO BE SECURED TO PATTERN BOXES BY REMOVING MOUNTING SCREWS

3



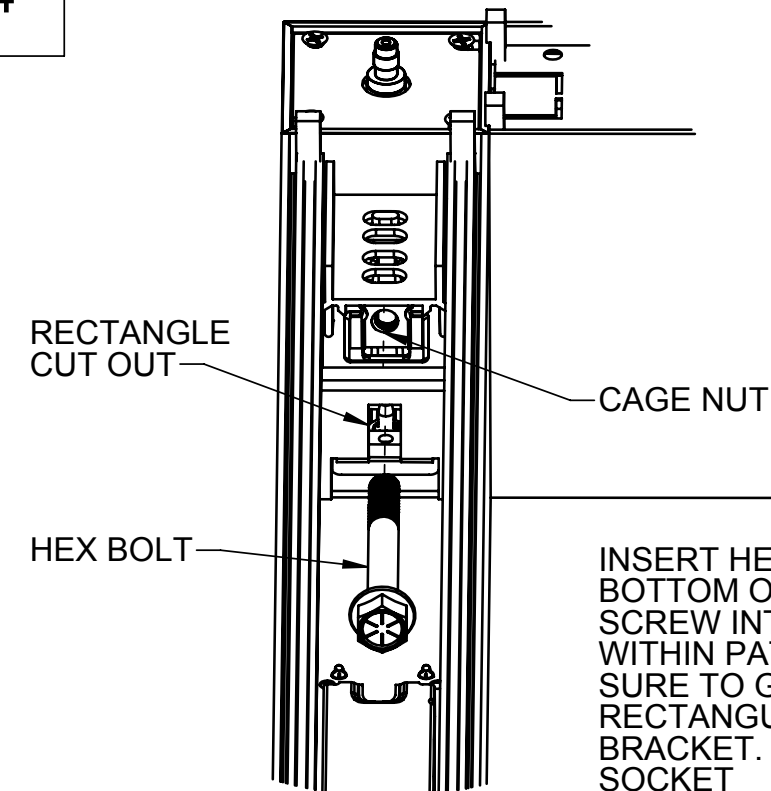
HOOK END HEADERS OF FIXTURES ONTO "HOOK" DETAIL ON BOX CASTING



"HOOK ON HERE"

SOME COMPONENTS REMOVED FOR CLARITY

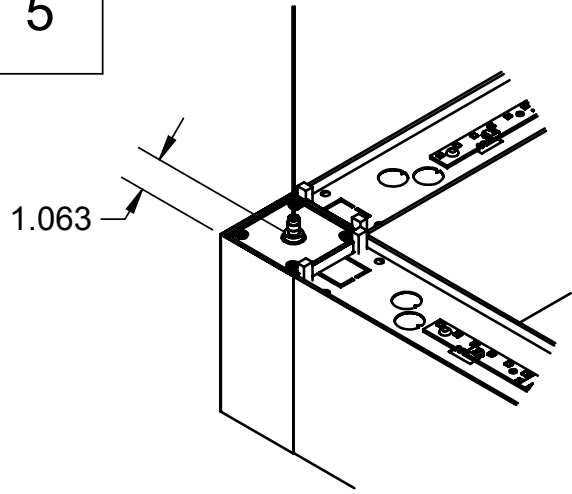
4



RECTANGLE CUT OUT
CAGE NUT
HEX BOLT

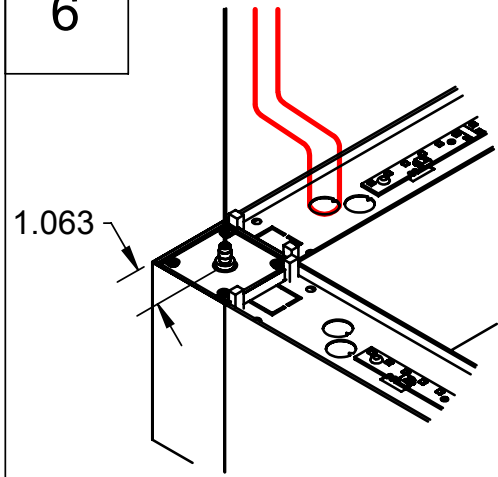
INSERT HEX BOLT INTO BOTTOM OF FIXTURE, AND SCREW INTO CAGE NUT WITHIN PATTERN BOX. BE SURE TO GO THROUGH RECTANGULAR CUTOUT IN BRACKET. TIGHTEN WITH 1/2" SOCKET

5

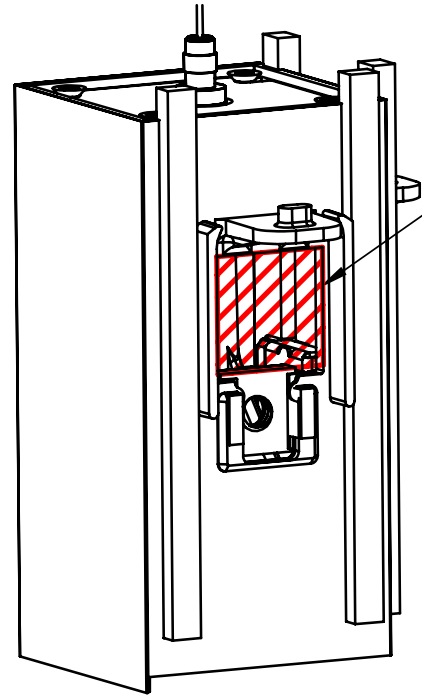


RAISE PATTERN UP TO CABLES AND INSERT CABLE INTO GRIPPERS. (AT LEAST TWO PEOPLE RECOMMENDED)

6

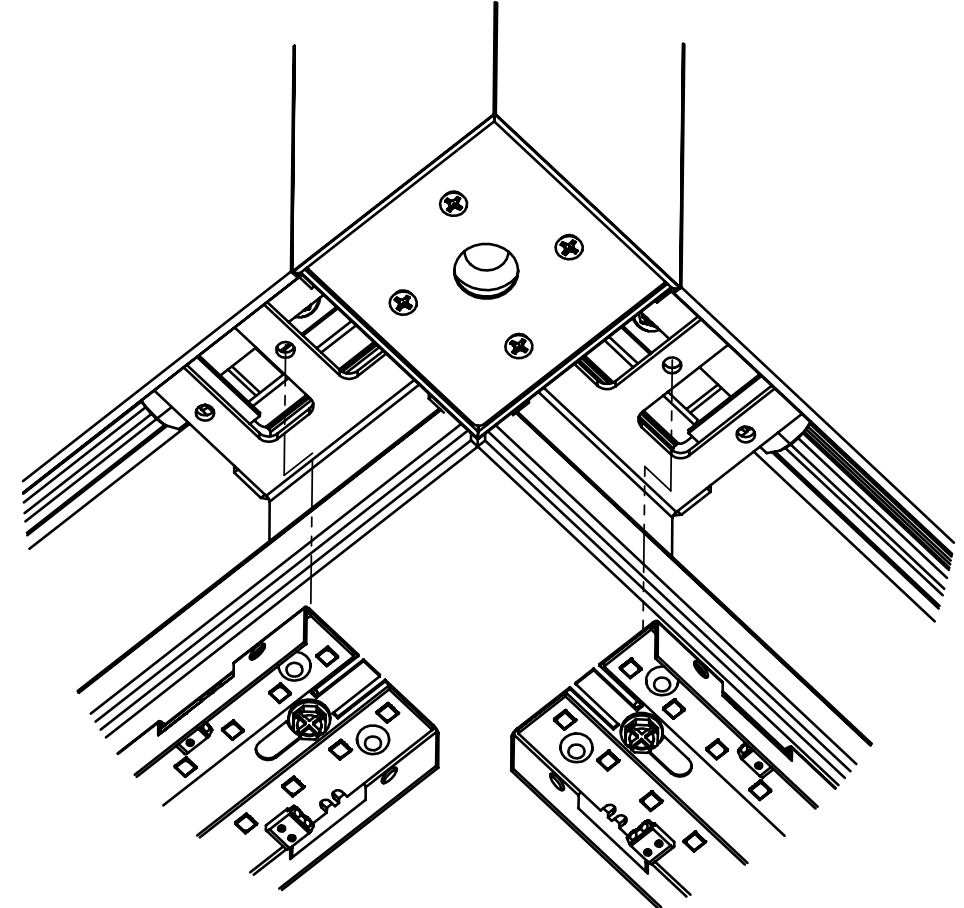


REMOVE 1 KNOCKOUT AT FEED LOCATIONS, AND BRING POWERFEED INTO FIXTURE. MAKE WIRING CONNECTIONS INSIDE FIXTURE.



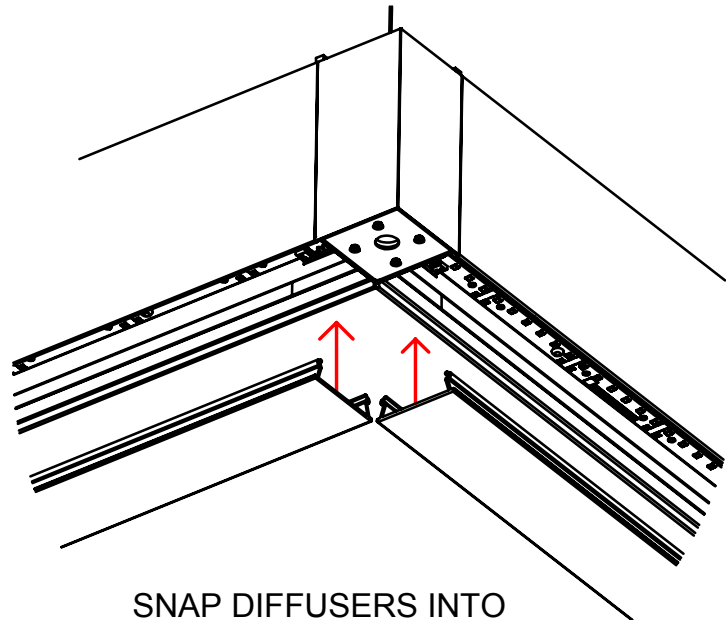
SQUARE AREA ABOVE CAGE NUT CAN BE USED FOR BRANCH WIRING TO BE PASSED FROM FIXTURE TO FIXTURE

7



REINSTALL LED MODULES. BE CAREFUL NOT TO PINCH LED BOARD WIRES BETWEEN REFLECTOR AND BRACKETRY.

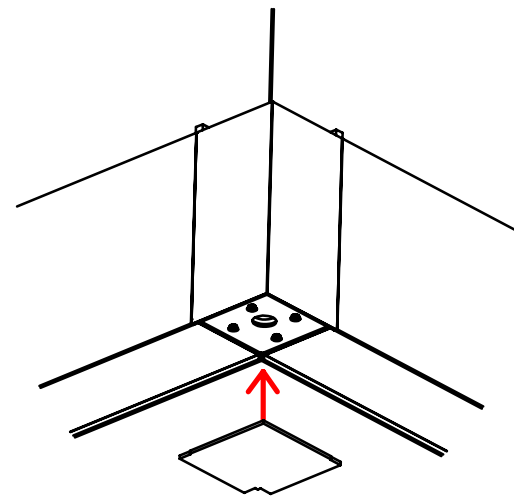
8



SNAP DIFFUSERS INTO BOTTOMS OF FIXTURES

NOTE: LAST DIFFUSER IN ROW MAY NEED TO BE FIELD CUT TO $\pm .125"$

9



SNAP BOTTOM COVER PLATE UP TO BOTTOM OF PATTERN BOX