

IMPORTANT SAFEGUARDS

When using electrical equipment, basic safety precautions should always be followed including the following: P/C 510691-0000

a) Ensure the uvc lamp is powered off prior to servicing

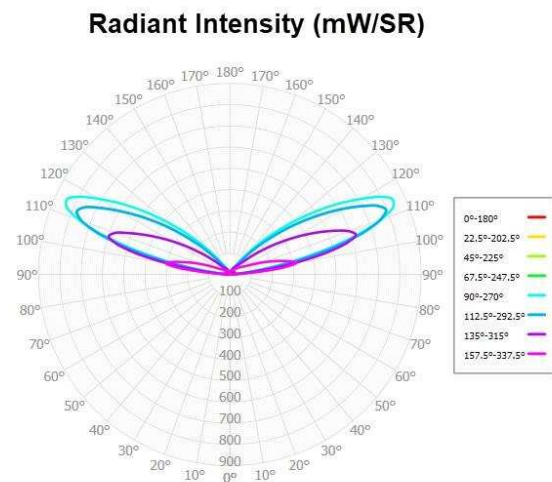
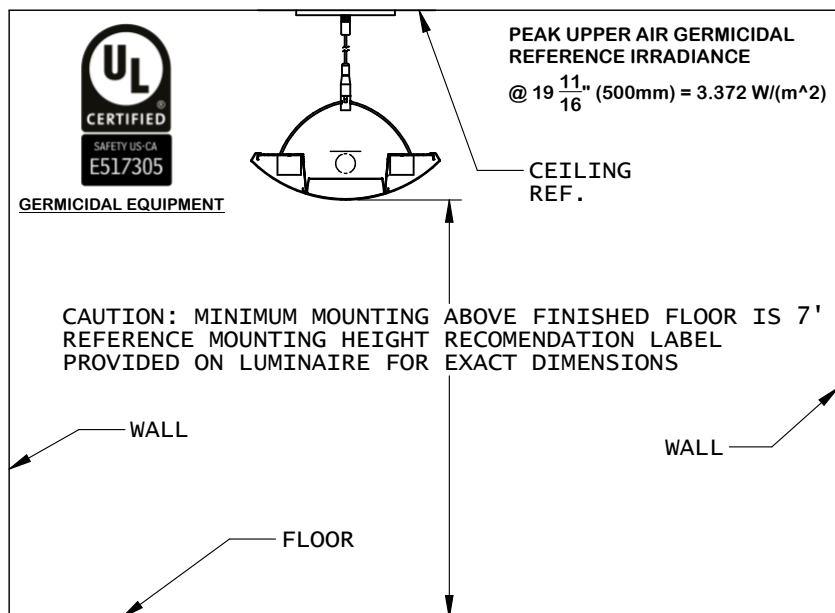
READ AND FOLLOW ALL SAFETY INSTRUCTIONS

- a) This equipment is designed for use with germicidal UV radiation sources and must be installed in compliance with competent technical directions to prevent risk of personal injury from UV radiation .
- b) UV radiation can pose a risk of personal injury. Overexposure can result in damage to eyes and bare skin. To reduce the risk of overexposure this equipment must be installed in accordance with the manufacturer's site planning recommendations. This may include instructions on the relative location of each germicidal system component, the minimum distances between UV-generating devices and other objects or surfaces, and protection from line-of-sight exposure to UV radiation in occupied spaces located above the equipment mounting area (e.g. upper floor balconies, open staircases, etc.)
- c) UV and optical radiation can be reflected by surrounding surfaces such as ceilings and walls. Since the reflective properties of surfaces can vary widely, it should be considered as part of site planning. Follow the manufacturer's recommendations for selecting appropriate ceiling and wall finishes.
- d) IT IS THE RESPONSIBILITY OF THE INSTALLER TO ENSURE THAT PERSONS WILL NOT BE EXPOSED TO EXCESSIVE UV OR OPTICAL RADIATION DURING EQUIPMENT OPERATION. THIS WILL REQUIRE THE INSTALLER TO CONDUCT AN ASSESSMENT OF IRRADIANCE OR ILLUMINANCE LEVELS IN THE SURROUNDING OCCUPIED SPACES PRIOR TO OCCUPANCY.
- e) Equipment should be mounted in locations and at heights where it will not readily be subjected to tampering by unauthorized personnel.
- f) Maintenance and servicing of this UV generating equipment shall be performed by authorized personnel. Service personnel must wear appropriate Personal Protective Equipment (PPE) if the equipment will be in operation during the maintenance or servicing work. Contact the equipment manufacturer for PPE recommendations and guidance. **Ensure that the equipment is powered off prior to servicing.**
- g) When replacing lamps, replace them only with the lamps for which the equipment is marked and intended.
- h) The use of accessory equipment not recommended by the manufacturer may cause an unsafe condition.
- i) Do not use this equipment for other than intended use.

SAVE THESE INSTRUCTIONS

Notes:

1. General personal protective equipment required for servicing electrical luminaires applies.
2. Installation and servicing should be performed by qualified personnel.



**INSTALLATION
INSTRUCTIONS**

FIXTURE TYPE _____

**59L-P-ID-UVC &
59L-P-I-UVC
FIXTURE ASSEMBLY**

3/31/21 PG. 2 OF 4

P/C **510691-0000**

DO NOT MODIFY OR ALTER THIS PRODUCT IN ANY WAY, OR INSTALL IN ANY FASHION WHICH IS CONTRARY TO THE INSTRUCTIONS CONTAINED HEREIN. IF YOU HAVE ANY QUESTIONS REGARDING THIS PRODUCT OR THE INSTALLATION OF IT, PLEASE CALL LITECONTROL ENGINEERING AT 781-294-0100.

General Notes: Read Instructions completely before starting.

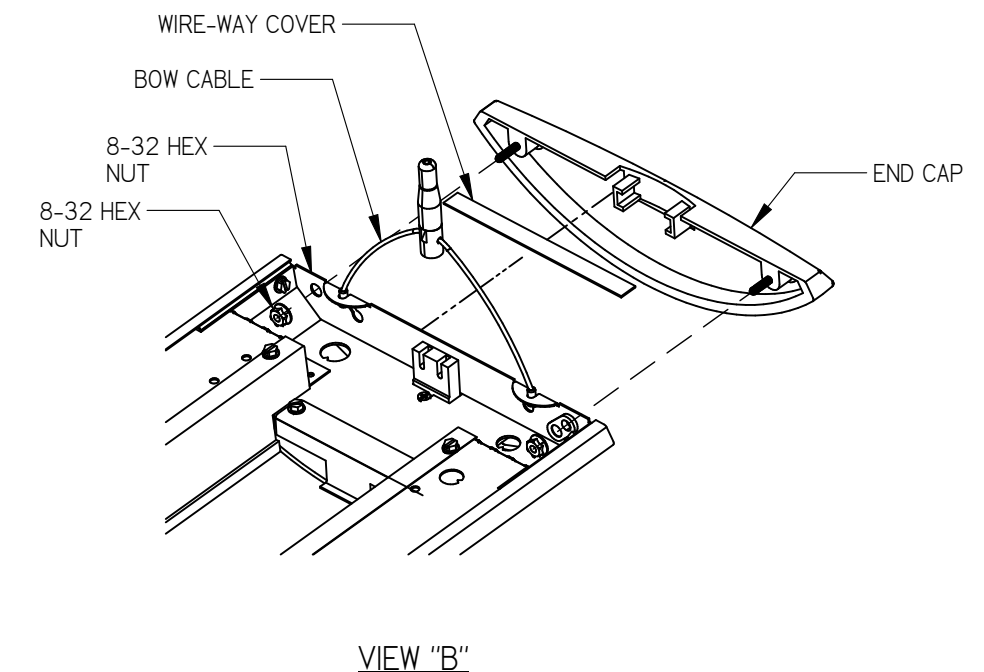
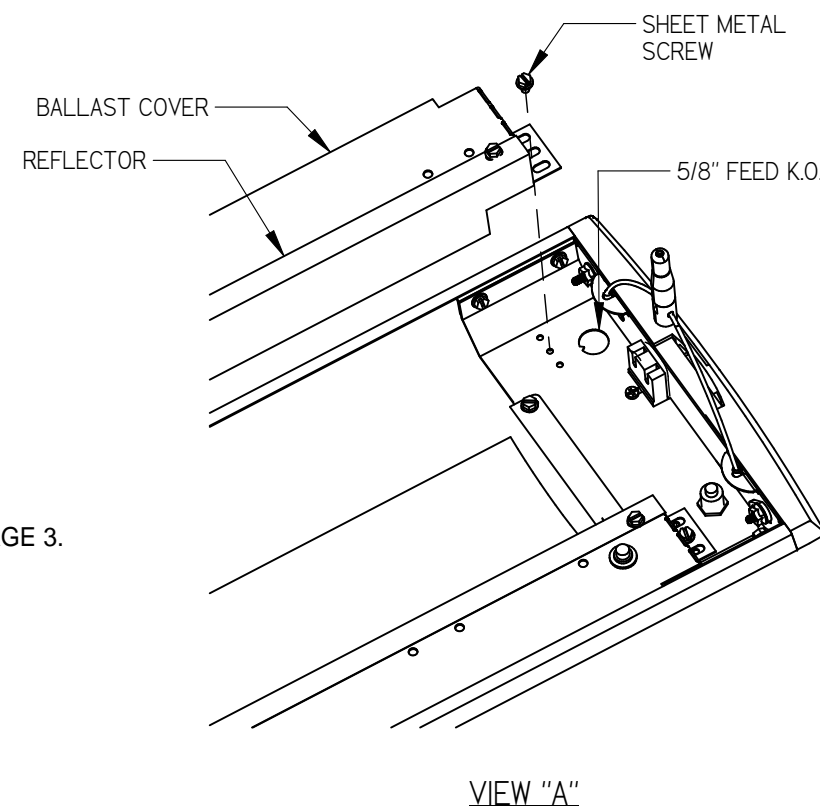
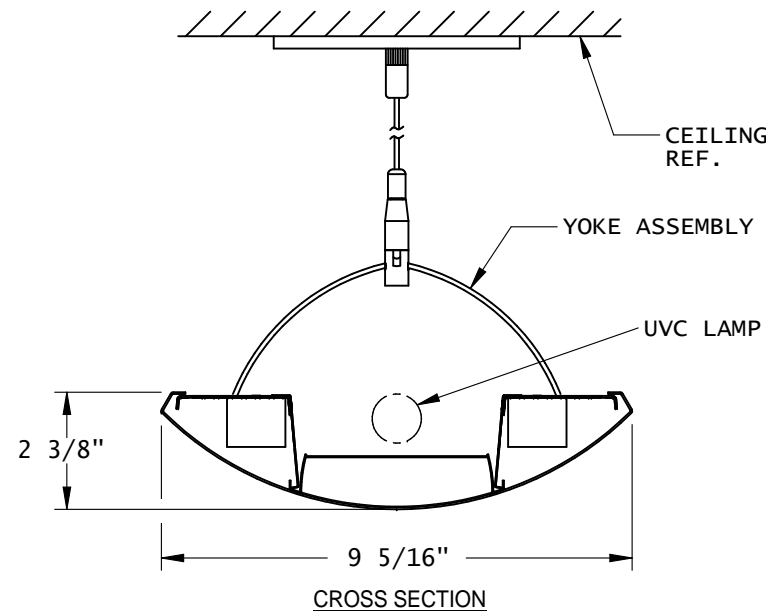
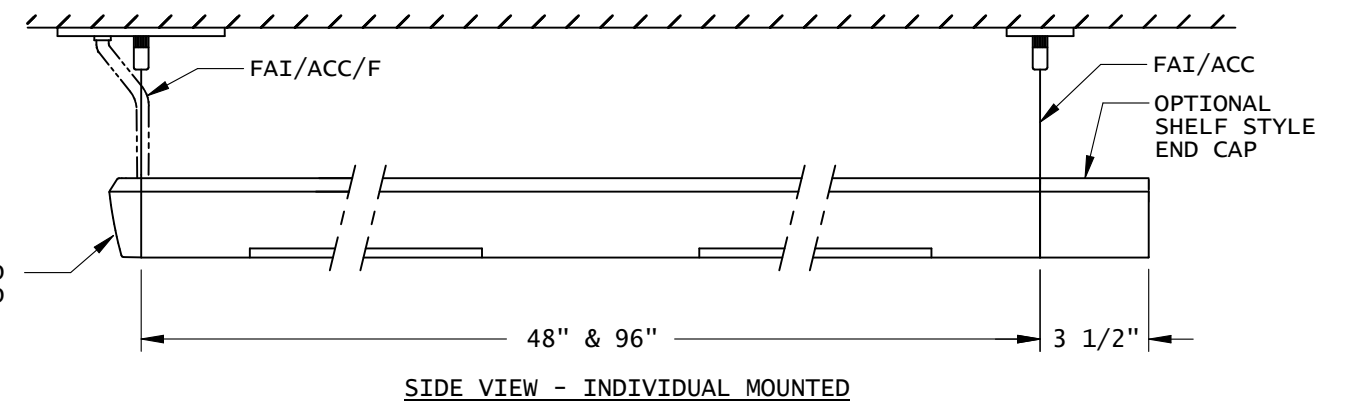
- A. UVC Lamp type is specifically called out on luminaire labeling.
NO SUBSTITUTIONS CAN BE MADE.
- B. Leaving foam wrapping on fixtures until mounting has been completed will help protect finish from damage.

INSTRUCTIONS:

1. Peel back foam wrapping from fixture and remove reflector and ballast cover on side of fixture closest to feed location by removing sheet metal screws. See View "A".

1. MOUNTING INDIVIDUAL FIXTURES: (Pendants are shipped separately)

- A) Locate aircraft cables along a straight line in ceiling per dimensions shown in SIDE VIEW. (Refer to cable instruction sheet 510481).
 - B) Peel back foam wrapping from both ends of fixture. Remove 5/8" DIA knockout in socket plate for wire feed.
 - C) Insert swaged balls on bow cable into keyholes on end headers at both ends of fixture as shown.
 - D) Slide wireway cover into end cap as shown. Attach End Caps (shipped separately) to each end by inserting studs on End Cap thru holes in End Headers. Secure to fixture end with (2) #8-32 hex nuts. See View "B".
 - E) Lift fixture and mount pendants to ceiling. Level fixture by adjusting gripper up or down on cable to position fixture in its final location. Refer to cable instruction sheet 510481.
 - F) Bring wire feed into fixture and make wiring connections.
- FOR ROW MOUNTED FIXTURES, GO TO STEP 2 ON PAGE 3.
- TO FINISH INDIVIDUAL INSTALLATION, PROCEED TO STEP 3 ON PAGE 3.



INSTALLATION
INSTRUCTIONS

P/C 510691-0000

FIXTURE TYPE _____

59L-P-ID-UVC &
59L-P-I-UVC
FIXTURE ASSEMBLY

3/31/21 PG. 3 OF 4

DO NOT MODIFY OR ALTER THIS PRODUCT IN ANY WAY, OR INSTALL IN ANY FASHION WHICH IS CONTRARY TO THE INSTRUCTIONS CONTAINED HEREIN. IF YOU HAVE ANY QUESTIONS REGARDING THIS PRODUCT OR THE INSTALLATION OF IT, PLEASE CALL LITECONTROL ENGINEERING AT 781-294-0100.

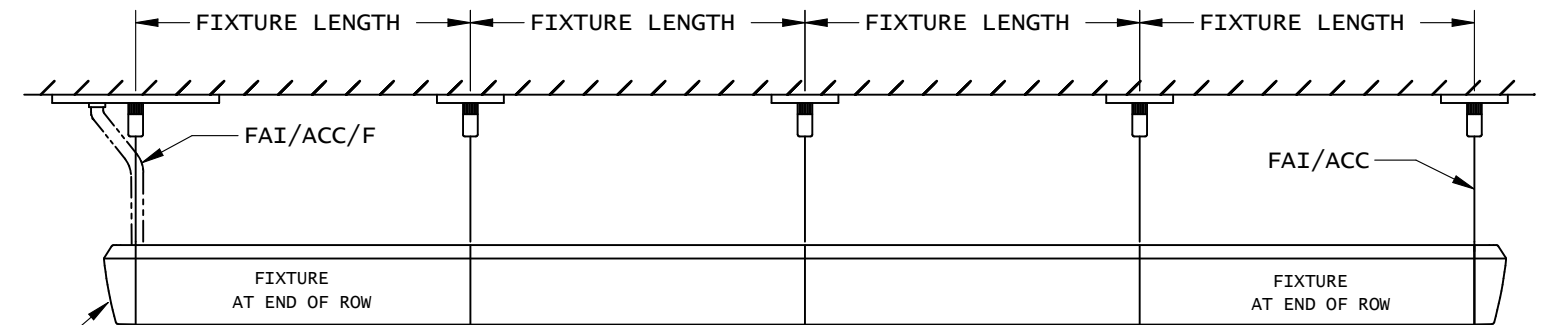
INSTRUCTIONS con't:

2. MOUNTING ROWS OF FIXTURES:

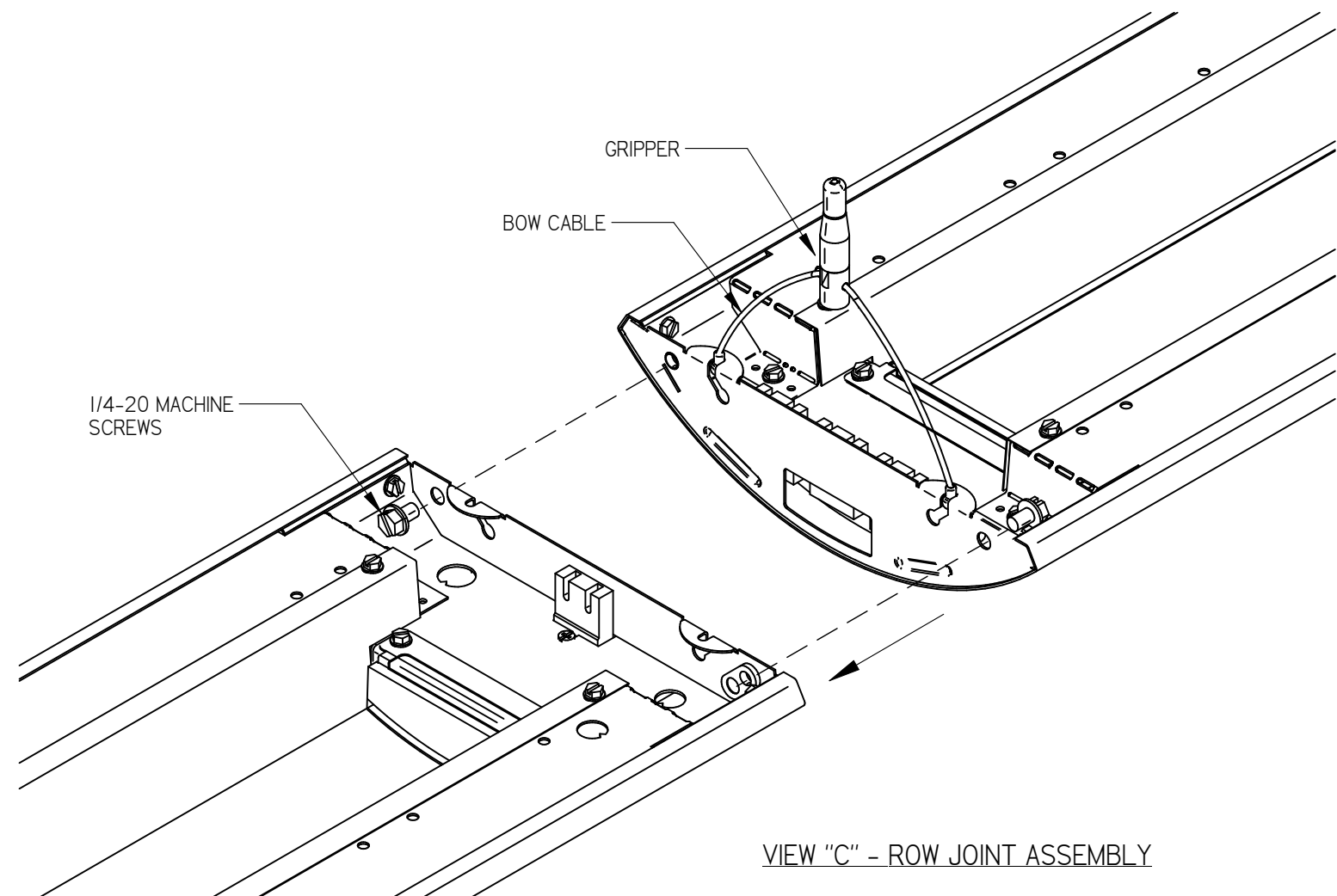
- A) Locate aircraft cables in ceiling, along a straight line as shown in Side View. Refer to Cable Instruction sheet 510481.
 - B) Starting with the fixture at one end of row, insert swaged balls on bow cable into keyholes in End Header as shown. Repeat at opposite end of fixture.
 - C) Remove a 5/8" knockout in Socket Plate for wire feed if aircraft cables are being used to hang fixtures. Feed may be run inside stems when they are used.
 - D) Attach End Cap to one end of fixture per step 1D on page 1.
 - E) Lift fixture up and mount cable to ceiling. Refer to cable instruction sheet 510481.
 - F) At the far end of the 2nd fixture in row, insert swaged balls on bow cable into keyholes in End Header.
 - G) Lift this fixture up and attach cable to ceiling. Secure fixture joint with 1/4-20 hex head machine screws as shown in View "C".
 - H) Level fixtures by adjusting gripper gripper up or down on cable to position fixture in its final location. Level fixtures horizontally by loosening set screw in bottom of gripper and sliding gripper side to side on bow cable and retighten.
 - J) Repeat steps F thru H for each additional fixture in row.
3. Wire feed may be brought into abutting fixtures thru wireway opening in End Headers and connectors. Make wiring connections.
 4. Replace reflectors and ballast covers.
 5. Clean exterior surfaces of fixture with a window cleaner.
 6. Lamp installation:
 - if there is no lamp shield in place, Install lamps by inserting pins into socket and then rotating lamp 90 degrees.
 - if there is a lamp shield in place, proceed to page 4.

1/4-20 MACHINE
SCREWS

STANDARD
SCULPTED
END CAP



SIDE VIEW - ROW MOUNTED



VIEW "C" - ROW JOINT ASSEMBLY

INSTALLATION
INSTRUCTIONS

FIXTURE TYPE _____

59L-P-ID-UVC &
59L-P-I-UVC
FIXTURE ASSEMBLY

3/31/21 PG. 4 OF 4

P/C 510691-0000

DO NOT MODIFY OR ALTER THIS PRODUCT IN ANY WAY, OR INSTALL IN ANY FASHION WHICH IS CONTRARY TO THE INSTRUCTIONS CONTAINED HEREIN.
IF YOU HAVE ANY QUESTIONS REGARDING THIS PRODUCT OR THE INSTALLATION OF IT, PLEASE CALL LITECONTROL ENGINEERING AT 781-294-0100.

TOOLS REQUIRED:
PHILIPS HEAD SCREWDRIVER

- REMOVE ALL (14) 4-40 SCREWS FROM UVC TOP COVER. (DETAIL 1)
REMOVE TOP COVER FROM FIXTURE. (DETAIL 2)

!!!CAUTION!!!

USE CAUTION WHILE REMOVING THE 4-40 SCREWS AND THE TOP COVER AS TO NOT KNOCK OFF ANY SPACERS THAT ARE PLACED OVER THE STANDOFFS

